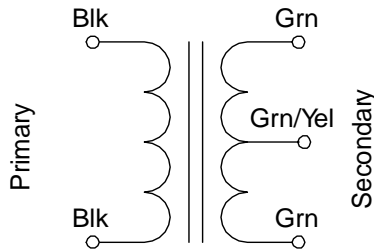
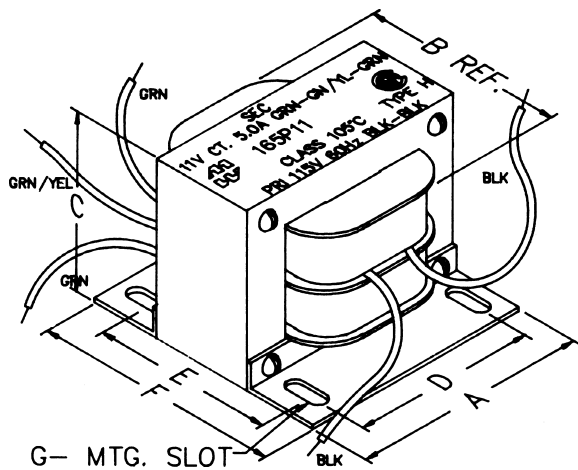


Transformer Schematic



HIGH CURRENT - OPEN FRAME FILAMENT & L.V. RECTIFIER USE TRANSFORMERS

- Primary 115 VAC, 60 Hz.
- All secondaries center tapped, VAC (RMS)
- Open style, 4 hole frame chassis mount.
- Minimum 6" long leads or copper tabs with holes.
- Dual bobbin design - no electrostatic shield required.
- Class B insulation (130 degrees, C).
- Hi-Pot test of 2,000V RMS.
- UL listed (# E50394) & CSA certified (# LR3902).



Dimension Table

Mtg. Style	Dimensions						Mtg. Slot
	A	B	C	D	E	F	
H7	3.00	3.25	2.56	2.50	3.25	4.00	.22x.56
H9	3.75	2.63	3.13	3.13	2.50	3.25	.22x.56
H10	3.75	3.13	3.13	3.13	2.75	3.50	.22x.56
H12	3.75	3.63	3.13	3.13	3.25	4.00	.22x.56
H16	4.50	3.88	3.75	3.75	2.75	3.50	.28x.56
H18	4.50	4.38	3.75	3.75	3.25	4.00	.28x.56
H19	4.50	4.38	3.75	3.75	3.75	4.50	.28x.56

Selection Table

Primary 115 VAC 60 Hz.

Cat. No.	Secondary (RMS)		Dim. Ref.
	VAC	Amps	
165Z3	3.0ct	50	H10
165X5	5.0ct	30	H9
165V7	7.5ct	21	H9
165V10	10.0ct	20	H10
165U11	11.0ct	15	H9
165S12	12.6ct	10	H7
165V12	12.6ct	20	H12
165S18	18.0ct	10	H10
165U18	18.0ct	15	H16
165V18	18.0ct	20	H18
165T22	22.0ct	12	H16
165V22	22.0ct	20	H19
165P25	25.0ct	5	H7
165S25	25.0ct	10	H12
165P30	30.0ct	5	H7
165S30	30.0ct	10	H16
165P60	60.0ct	5	H16
165N80	80.0ct	4	H18

CANADA

Phone: (519) 822-2960 Fax: (519) 822-0715

USA

Phone: (716) 651-0086 Fax: (716) 651-0726



© 2000

HAMMOND
MANUFACTURING™
www.hammondmfg.com