

# VS-ASI-J-Y-B-PUR-1,0-M12FR SCO


Order No.: 1404469



<http://eshop.phoenixcontact.de/phoenix/treeViewClick.do?UID=1404469>

AS-Interface distributor with IP67 degree of protection for two flat-ribbon conductors, with 2.0 m PUR round conductor and a molded, angled, A-coded, 4-pos. M12 SPEEDCON socket



Commercial data	
GTIN (EAN)	4 046356 322294 
sales group	D568
Pack	1 pcs.
Customs tariff	85366990
Catalog page information	Page 409 (PC-2011)

### Product notes

WEEE/RoHS-compliant since:  
10/12/2007



<http://www.download.phoenixcontact.com>  
Please note that the data given here has been taken from the online catalog. For comprehensive information and data, please refer to the user documentation. The General Terms and Conditions of Use apply to Internet downloads.

Technical data	
<b>Mechanical characteristics</b>	
Number of positions	4
Shielded	No
Insertion/withdrawal cycles	≥ 100 (M12 connector)
Connection method	AS-i penetration technique

Cable diameter	4.70 mm
Type of cable	Round cable
Cable structure	4x 0.34 mm <sup>2</sup>
Duty cycle testing	Flexible cable conduit capable
Smallest bending radius, fixed installation	50 mm
Smallest bending radius, movable installation	50 mm
Length of cable	1 m
Color	black
Tightening torque, min.	1.65 Nm
Ambient temperature (operation)	-25 °C ... 75 °C (Distributor)
	-25 °C ... 75 °C (cable, fixed installation)
	-5 °C ... 75 °C (cable, flexible installation)
Ambient temperature (storage/transport)	-25 °C ... 80 °C

#### Material data

Housing material	PA-GF
Contact carrier material	TPE-U
Contact material	CuZn
Contact surface material	Ni/Au
Material	CuSn (M12 contact)
	TPU GF (M12 contact carrier)
	Ni/Au (M12 contact surface)
	TPU (M12 handle)
Cable gland material	Zinc die-cast, nickel-plated
Outer sheath, material	PUR
External sheath, color	Deep black RAL 9005
Degree of protection	IP65/67

#### Electrical characteristics

Rated voltage (III/3)	≤ 35 V
Rated current	≤ 4 A

#### Line characteristics

Cable type	PUR halogen-free black
Cable abbreviation	Li9Y11Y-HF
Conductor cross section	0.34 mm <sup>2</sup>
AWG signal line	22

Conductor structure signal line	42x 0.10 mm
Core diameter including insulation	1.27 mm ±0.02 mm
Thickness, insulation	≥ 0.21 mm (Core insulation)
	≥ 0.8 mm (Outer cable sheath)
External cable diameter	4.7 mm ±0.15 mm
Wire colors	Black, brown, blue, white
External sheath, color	Black-gray RAL 7021
Insulation resistance	≥ 1 GΩ*km
Conductor resistance	max. 58 Ω/km (at 20°C)
Nominal voltage, conductor	≤ 300 V
Test voltage, conductor	≥ 3000 V
Overall twist	4 wires, twisted
Length of twist, overall twist	49.5 mm
Outer sheath, material	PUR
Material conductor insulation	PP
Conductor material	Bare Cu litz wires
Cable weight	30 kg/km
Smallest bending radius, fixed installation	23.5 mm
Smallest bending radius, movable installation	47 mm
Max. bending cycles	4000000
Bending radius	47 mm
Traversing path	10 m
Traversing rate	3 m/s
Acceleration	10 m/s <sup>2</sup>
Special properties	Flexible cable conduit capable
	Silicone-free
	Free of substances which would hinder coating with paint or varnish
	Flexible
Flame resistance	in accordance with DIN UL-Style 20549
	in accordance with FT1 as per UL 758
Halogen-free	in accordance with DIN VDE 0472 part 815
Resistance to oil	in accordance with DIN EN 60811-2-1
Other resistance	Highly resistant to acids, alkaline solutions and solvents
	hydrolysis and microbe resistant

Ambient temperature (operation)	-40 °C ... 80 °C (cable, fixed installation)
	-25 °C ... 80 °C (cable, flexible installation)

**Accessories**

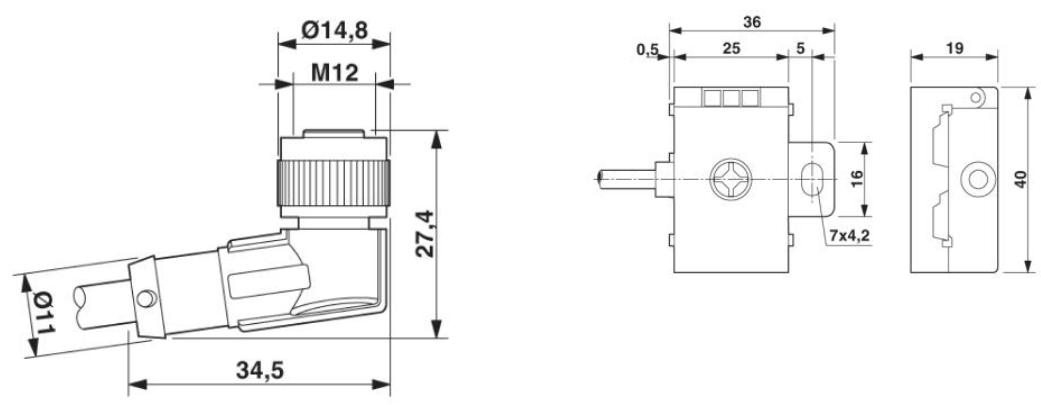
Item	Designation	Description
<b>General</b>		
1205163	SZK PH2 VDE	Screwdriver, PH crosshead, VDE insulated, size: PH 2 x 100 mm, 2-component grip, with non-slip grip

<b>Protection and sealing elements</b>		
1553129	PROT-MS SCO	M12 screw plug with SPEEDCON quick locking for unoccupied M12 sockets of the sensor/actuator cables, boxes and flush-type connectors

<b>Tools</b>		
1208432	SAC BIT M12-D15	Nut for assembling sensor/actuator cables with M12 connector and for M12 connectors with QUICKON fast connection technology, for 4 mm hexagonal drive
1208429	TSD 04 SAC	Torque screwdriver, with preset torque of 0.4 Nm and 4 mm hexagonal drive for M12 connectors

**Diagrams/Drawings**

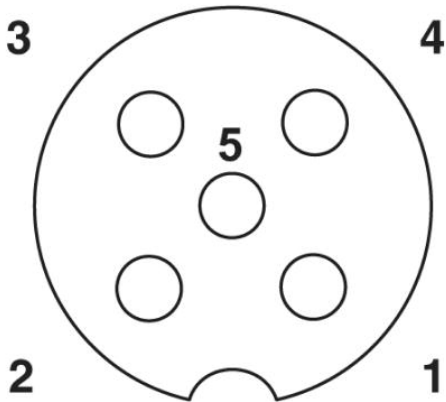
Dimensioned drawing



M12 x 1 female connector, angled

Schematic diagram

---



Pin assignment M12, PIN 1: AS-i +, PIN 2: AUX -, PIN 3: AS-i -,  
PIN 4: AUX +, PIN 5: Not used

**Address**

PHOENIX CONTACT Inc., USA  
586 Fulling Mill Road  
Middletown, PA 17057, USA  
Phone (800) 888-7388  
Fax (717) 944-1625  
<http://www.phoenixcon.com>



© 2011 Phoenix Contact  
Technical modifications reserved;