

SACB-4/ 8-L-10,0PUR

Order No.: 1695087

<http://eshop.phoenixcontact.de/phoenix/treeViewClick.do?UID=1695087>Sensor/actuator box, with LED, with master cable, markers and
double-occupied slots**Commercial data**

EAN	4017918177591
Pack	1 pcs.
Customs tariff	85366990
Weight/Piece	1.6065 KG
Catalog page information	Page 114 (PC-2009)

Product notesWEEE/RoHS-compliant since:
05/04/2006

<http://www.download.phoenixcontact.com>
Please note that the data given here has been taken from the online catalog. For comprehensive information and data, please refer to the user documentation. The General Terms and Conditions of Use apply to Internet downloads.

Technical data**General data**

Nominal voltage U_N	24 V DC
Max. operating voltage U_{max}	30 V DC
Max. current carrying capacity per path	2 A
Current carrying capacity per slot	4 A

SACB total current	12 A
Operating current of the indicator elements	≤ 5 mA
Number of positions	5
Number of slots	4
Degree of protection	IP65/IP67
Inflammability class acc. to UL 94	V0
Ambient temperature (operation)	-25 °C ... 75 °C
Sensor/actuator connection system	M12 female connector

Local diagnostics function

Local diagnostics	Supply voltage LED green
	Status display I/O Yellow LED

Master cable data

Type of connection	Fixed connection
Length of cable	10 m
Cable type	Master cable suitable for flexible cable conduit
Signal line cross section	8x 0.5 mm ²
AWG signal line	20
Conductor structure, signal line	64x 0.10 mm
Power supply cross section	3x 1 mm ²
AWG power supply	17
Conductor structure, voltage supply	128x 0.10 mm
External diameter	9.5 mm
Max. bending cycles	1500000
Bending radius	100 mm
Traversing path	2 m
Traversing rate	2 m/s
Ambient temperature (operation)	-40 °C ... 90 °C (for fixed installation)
	-5 °C ... 80 °C (for flexible installation)
Tightening torque slot sensor/actuator cable	0.4 Nm
Tightening torque screw plug	0.4 Nm

Insulation material

Housing material	PA
Contact material	CuSn
Contact surface material	Ni/Au

Contact carrier material	PA
Material, O-ring	NBR

Pin assignment

Slot/position = Wire color or connection	1 / 4 (A) = WH
	1 / 2 (B) = GY/PK
	2 / 4 (A) = GN
	2 / 2 (B) = RD/BU
	3 / 4 (A) = YE
	3 / 2 (B) = WH/GN
	4 / 4 (A) = GY
	4 / 2 (B) = BN/GN
	1-4 / 1 (+ 24 V) = BN
	1-4 / 3 (0 V) = BU
	1-4 / 5 (PE) = GN/YE

Certificates / Approvals



Certification CUL, GOST, UL

CUL

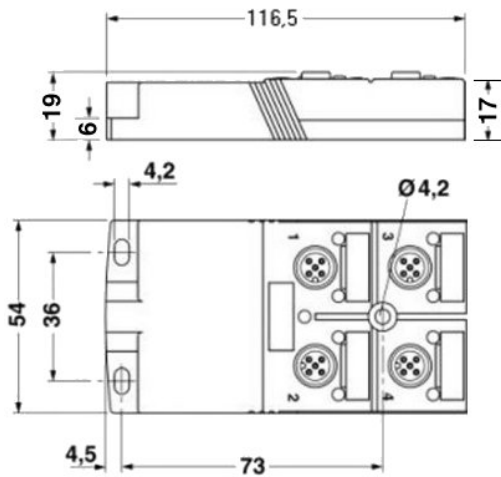
Nominal voltage U_N	24 V
AWG/kcmil	22-16

UL

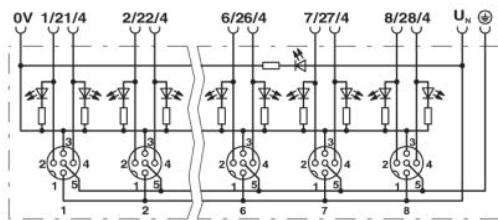
Nominal voltage U_N	24 V
AWG/kcmil	22-16

Drawings

Dimensioned drawing

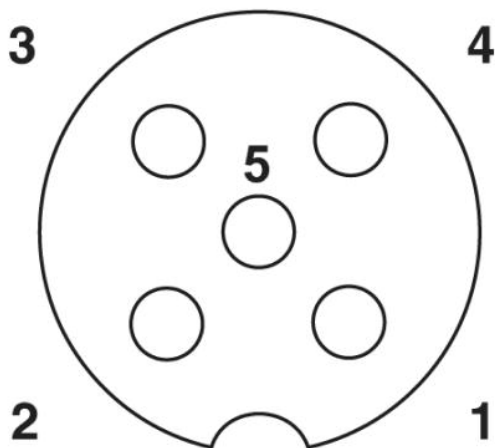


Circuit diagram



Schematic diagram

M12 slot, socket, 5-pos.



Address

PHOENIX CONTACT GmbH & Co. KG
Flachsmarktstr. 8
32825 Blomberg, Germany
Phone +49 5235 3 00
Fax +49 5235 3 41200
<http://www.phoenixcontact.de>



© 2009 Phoenix Contact
Technical modifications reserved;