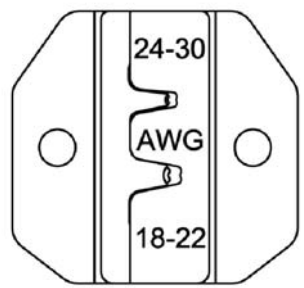
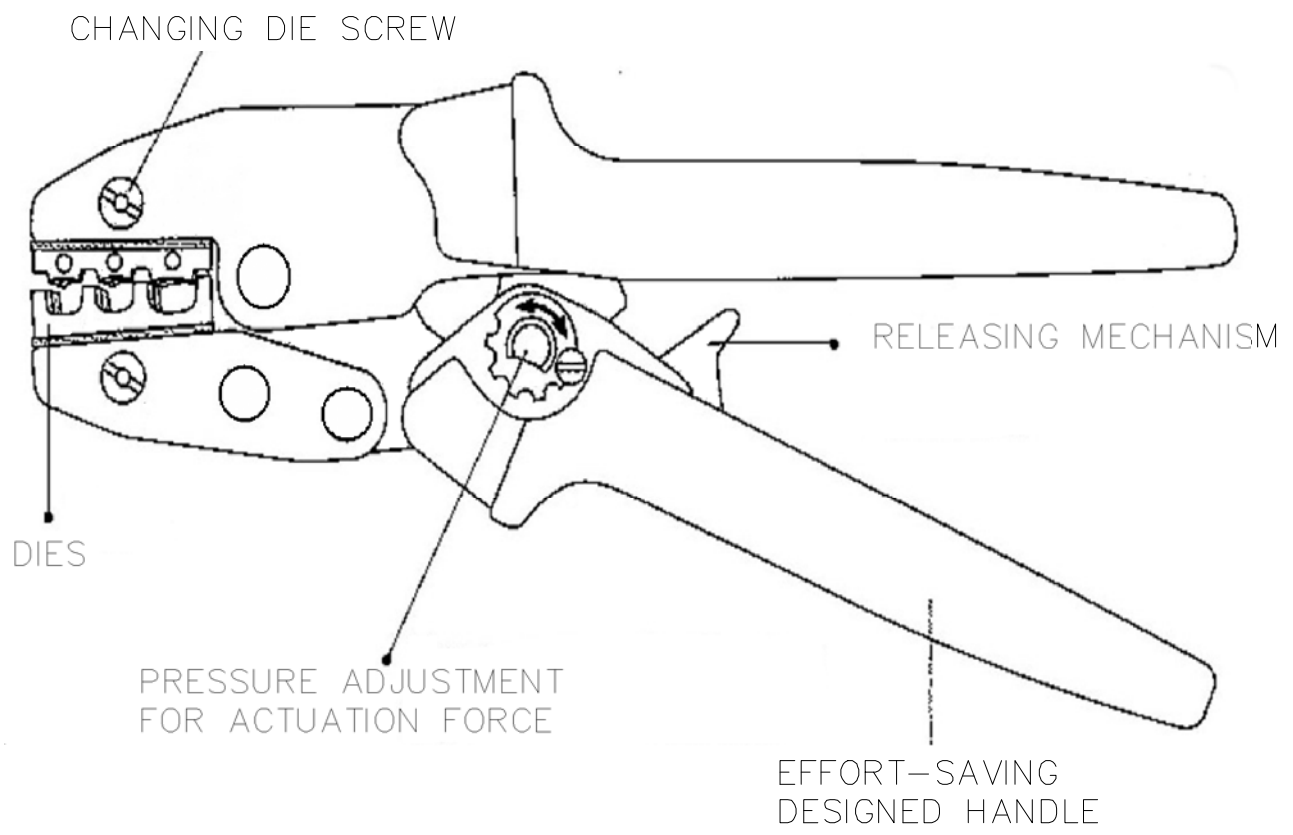


PRODUCT NUMBER
10129483-001LF



DIE USED FOR
AWG 18~30 WIRES



NOTE:
1. LENGTH 225mm.
2. CHANGABLE DIE FOR DIFFERENT APPLICATION.

mat'l. code		surface		tolerance		projection		product family	
ltr		ecn no		dr		date		tolerances unless otherwise specified	
A		TAI		2014-04-23		angles		MM	
						X*±1*		scale	
				dr		KENNY TAI		2014-03-20	
				enr		KENNY TAI		2014-03-20	
				chr		KENNY TAI		2014-03-20	
				appd		PM ZHENG		2014-04-23	
sheet index		revision sheet		A		1		FCI	
								dwg no	
								sheet 1 of 1	
								size	
								A4	
								type	
								CUSTOMER Drawing	
								10129483	

Mouser Electronics

Authorized Distributor

Click to View Pricing, Inventory, Delivery & Lifecycle Information:

[FCI / Amphenol:](#)

[10129483-001LF](#)