

(click to enlarge)

**LOW VOLTAGE
OPEN STYLE - POWER
SOLDER OR QUICK CONNECT TERMINALS**

Path: [Home](#) > [Transformer Index](#) > [Power](#) > L.V. - Chassis Mount - Quick Connect

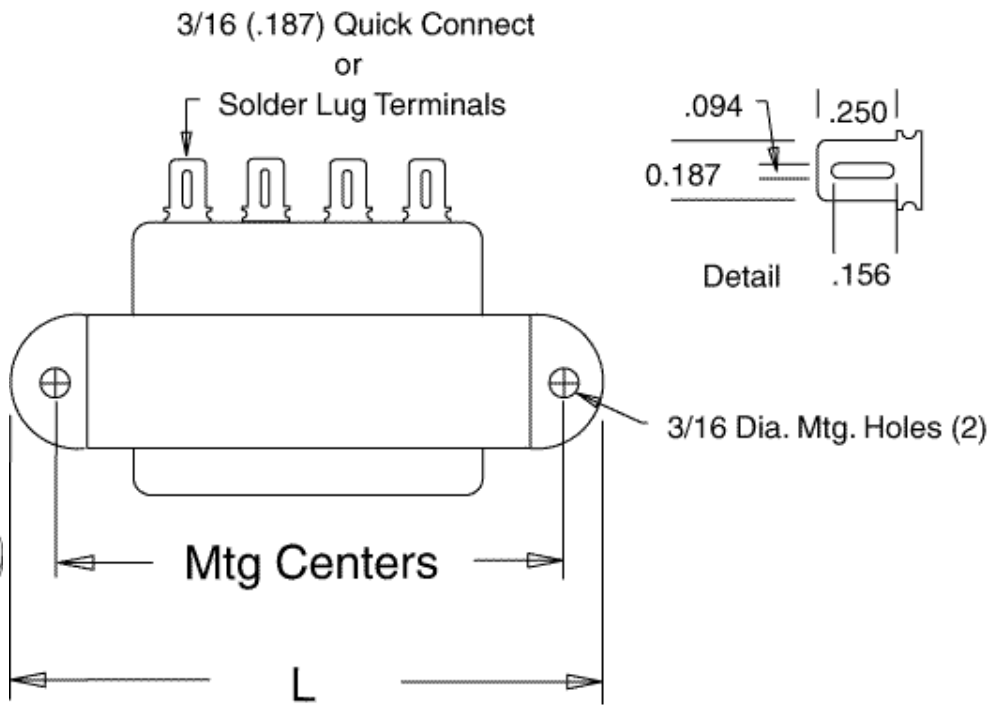
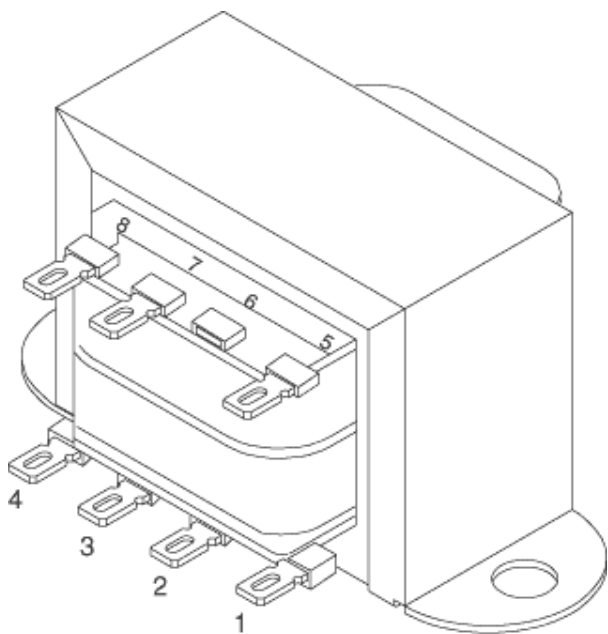
Key Features:

- Choice of two primaries: Single Primary 115VAC or Dual Primary 115/230.
- Either series operates on 50/60 Hz.
- Combination solder or quick connect terminals.
- Split bobbin construction means no electrostatic shield is necessary.
- Hi-pot tested to 2 KV RMS.
- Economical open style, channel frame - chassis mount design
- UL listed & CSA certified.

Part Number		Secondary (RMS)		VA RATING
Single Primary 115 VAC	Dual Primary 115/230 VAC	VAC	Current (Amps)	
187A10	NOT AVAILABLE	10VCT	0.25	2.50
187B10	186B10	10VCT	0.60	6.00
187C10	186C10	10VCT	1.20	12.00
187D10	186D10	10VCT	3.00	30.00
187E10	186E10	10VCT	5.00	50.00
187F10	186F10	10VCT	10.00	100.00
187A12	NOT AVAILABLE	12.6VCT	0.19	2.50
187B12	186B12	12.6VCT	0.50	6.30
187C12	186C12	12.6VCT	1.00	12.60
187D12	186D12	12.6VCT	2.50	31.50
187E12	186E12	12.6VCT	4.00	50.40
187F12	186F12	12.6VCT	8.00	100.80
187A16	NOT AVAILABLE	16VCT	0.15	2.40
187B16	186B16	16VCT	0.40	6.40
187C16	186C16	16VCT	0.80	12.80
187D16	186D16	16VCT	2.00	32.00
187E16	186E16	16VCT	3.50	56.00
187F16	186F16	16VCT	6.25	100.00
187A20	NOT AVAILABLE	20VCT	0.12	2.40
187B20	186B20	20VCT	0.30	6.00
187C20	186C20	20VCT	0.60	12.00
187D20	186D20	20VCT	1.50	30.00
187E20	186E20	20VCT	2.80	56.00
187F20	186F20	20VCT	5.00	100.00

187A24	NOT AVAILABLE	24VCT	0.10	2.40
187B24	186B24	24VCT	0.25	6.00
187C24	186C24	24VCT	0.50	12.00
187D24	186D24	24VCT	1.25	30.00
187E24	186E24	24VCT	2.40	57.60
187F24	186F24	24VCT	4.00	96.00
187A28	NOT AVAILABLE	28VCT	0.08	2.40
187B28	186B28	28VCT	0.20	5.60
187C28	186C28	28VCT	0.42	12.00
187D28	186D28	28VCT	1.07	30.00
187E28	186E28	28VCT	2.00	56.00
187F28	186F28	28VCT	3.57	100.00
187A36	NOT AVAILABLE	36VCT	0.06	2.34
187B36	186B36	36VCT	0.17	6.12
187C36	186C36	36VCT	0.35	12.60
187D36	186D36	36VCT	0.85	30.60
187E36	186E36	36VCT	1.50	54.00
187F36	186F36	36VCT	2.80	100.80
187A48	NOT AVAILABLE	48VCT	0.05	2.40
187B48	186B48	48VCT	0.12	6.00
187C48	186C48	48VCT	0.25	12.00
187D48	186D48	48VCT	0.62	30.00
187E48	186E48	48VCT	1.20	57.60
187F48	186F48	48VCT	2.00	96.00
187A56	NOT AVAILABLE	56VCT	0.04	2.50
187B56	186B56	56VCT	0.11	6.16
187C56	186C56	56VCT	0.21	12.30
187D56	186D56	56VCT	0.53	30.00
187E56	186E56	56VCT	1.00	56.00
187F56	186F56	56VCT	1.80	100.80
187A120	NOT AVAILABLE	120VCT	0.02	2.40
187B120	186B120	120VCT	0.05	6.00
187C120	186C120	120VCT	0.10	12.00
187D120	186D120	120VCT	0.25	30.00
187E120	186E120	120VCT	0.50	60.00
187F120	186F120	120VCT	0.85	102.00

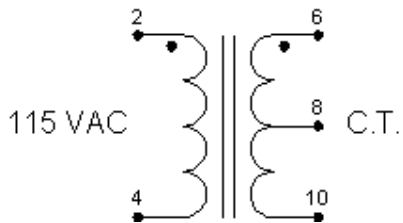
Mechanical Data:



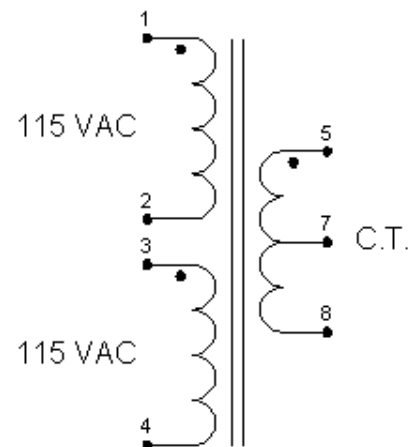
VA Model	DIMENSIONS				
	LENGTH	DEPTH (Not Including Terminals)	HEIGHT	MTG. CENTERS	DEPTH TO TERMINAL
	L	B	C		E
2.5 - "A"	2.06"	1.06"	1.18"	1.75"	1.435"
6 - "B"	2.37"	1.25"	1.37"	2.00"	1.625"
12 - "C"	2.81"	1.37"	1.62"	2.37"	1.725"
30 - "D"	3.25"	1.68"	1.93"	2.81"	2.055"
60 - "E"	3.68"	1.81"	2.25"	3.12"	2.185"
100 - "F"	4.03"	2.25"	2.56"	3.50"	2.625"

Schematic Data:

Confused about phasing or primary & secondary connections?	Connection FAQ Link
--	-------------------------------------



Single Primary (187 Series)



Dual Primary (186 Series)

Exactly what you are looking for???
Link to our stocking distributors - most have "on-line" pricing, stock check and ordering!!!

[Our Distributors](#)

Order from your favorite distributor



[HOME PAGE](#)



Copyright; © 2002-2005 Hammond Mfg Co Inc

URL: <http://www.hammondmfg.com>