

Distributor - VS-ASI-J-Y-N-M12FS-LC - 1433155

Please be informed that the data shown in this PDF Document is generated from our Online Catalog. Please find the complete data in the user's documentation. Our General Terms of Use for Downloads are valid (<http://phoenixcontact.com/download>)



AS-Interface distributor with IP67 protection for one flat-ribbon conductor, with a straight, A-coded, 2-pos. M12 socket



Key Commercial Data

Packing unit	1 pc
Weight per Piece (excluding packing)	17.87 g
Custom tariff number	85366990
Country of origin	Germany

Technical data

Ambient conditions

Ambient temperature (operation)	-25 °C ... 70 °C (Plug / socket)
Ambient temperature (storage/transport)	-25 °C ... 70 °C

General

Number of positions	2
Overvoltage category	II
Degree of pollution	3
Connection method	AS-i penetration technique
Insertion/withdrawal cycles	≥ 100 (M12 connector)

Material

Contact material	CuZn
Contact surface material	Sn/Au
Contact carrier material	PUR
Material, knurls	Zinc die-cast, nickel-plated
Sealing material	Neoprene (Flat gasket)

Distributor - VS-ASI-J-Y-N-M12FS-LC - 1433155

Technical data

Material

	FPM (O-ring)
--	--------------

Classifications

eCl@ss

eCl@ss 4.0	27140815
eCl@ss 4.1	27140815
eCl@ss 5.0	27143423
eCl@ss 5.1	27143423
eCl@ss 6.0	27143423
eCl@ss 7.0	27449001
eCl@ss 8.0	27440320

ETIM

ETIM 2.0	EC000200
ETIM 3.0	EC001856
ETIM 4.0	EC000313
ETIM 5.0	EC000313

UNSPSC

UNSPSC 6.01	31261501
UNSPSC 7.0901	31261501
UNSPSC 11	31261501
UNSPSC 12.01	31261501
UNSPSC 13.2	31261501

Approvals

Approvals

Approvals

EAC

Ex Approvals

Approvals submitted

Distributor - VS-ASI-J-Y-N-M12FS-LC - 1433155

Approvals

Approval details

EAC

Accessories

Accessories

Protective cap

Screw plug - PROT-M12 - 1680539



An M12 screw plug for the unoccupied M12 sockets of the sensor/actuator cable, boxes and flush-type connectors

Screw plug - PROT-MS SCO - 1553129



M12 screw plug with SPEEDCON quick locking for unoccupied M12 sockets of the sensor/actuator cables, boxes and flush-type connectors

Screwdriver tools

Screwdriver - SZK PH1 VDE - 1205150



Screwdriver, PH crosshead, VDE insulated, size: PH 1 x 80 mm, 2-component grip, with non-slip grip

Sensor/actuator cable

Distributor - VS-ASI-J-Y-N-M12FS-LC - 1433155

Accessories

Sensor/Actuator cable - SAC-4P-MS/ 0,3-186/FS SCO - 1555680



Sensor/Actuator cable, 4-position, PUR, black-gray RAL 7021, Plug straight M12 SPEEDCON, A-coded, on Socket straight M12 SPEEDCON, A-coded, Cable length: 0.3 m

Sensor/Actuator cable - SAC-4P-MS/ 0,5-186/FS SCO - 1555693



Sensor/Actuator cable, 4-position, PUR, black-gray RAL 7021, Plug straight M12 SPEEDCON, A-coded, on Socket straight M12 SPEEDCON, A-coded, Cable length: 0.5 m

Sensor/Actuator cable - SAC-4P-MS/ 1,0-186/FS SCO - 1555703



Sensor/Actuator cable, 4-position, PUR, black-gray RAL 7021, Plug straight M12 SPEEDCON, A-coded, on Socket straight M12 SPEEDCON, A-coded, Cable length: 1 m

Sensor/Actuator cable - SAC-4P-MS/ 2,0-186/FS SCO - 1555716



Sensor/Actuator cable, 4-position, PUR, black-gray RAL 7021, Plug straight M12 SPEEDCON, A-coded, on Socket straight M12 SPEEDCON, A-coded, Cable length: 2 m

Sensor/Actuator cable - SAC-4P-MS/ 5,0-186/FS SCO - 1555729



Sensor/Actuator cable, 4-position, PUR, black-gray RAL 7021, Plug straight M12 SPEEDCON, A-coded, on Socket straight M12 SPEEDCON, A-coded, Cable length: 5 m

Distributor - VS-ASI-J-Y-N-M12FS-LC - 1433155

Accessories

Sensor/Actuator cable - SAC-4P-MS/10,0-186/FS SCO - 1555732



Sensor/Actuator cable, 4-position, PUR, black-gray RAL 7021, Plug straight M12 SPEEDCON, A-coded, on Socket straight M12 SPEEDCON, A-coded, Cable length: 10 m

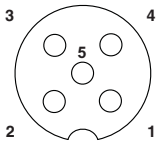
Sensor/Actuator cable - SAC-4P-MS/15,0-186/FS SCO - 1555745



Sensor/Actuator cable, 4-position, PUR, black-gray RAL 7021, Plug straight M12 SPEEDCON, A-coded, on Socket straight M12 SPEEDCON, A-coded, Cable length: 15 m

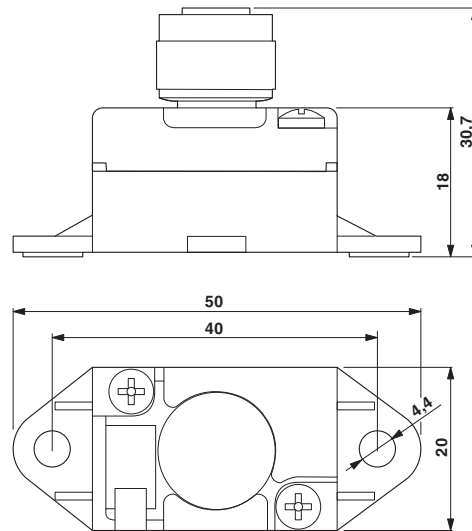
Drawings

Schematic diagram



Pin assignment M12, PIN 1: AS-i +, PIN 3: AS-i -,
PIN 2,4,5: Not used

Dimensional drawing



Mouser Electronics

Authorized Distributor

Click to View Pricing, Inventory, Delivery & Lifecycle Information:

[Phoenix Contact:](#)

[1433155](#)