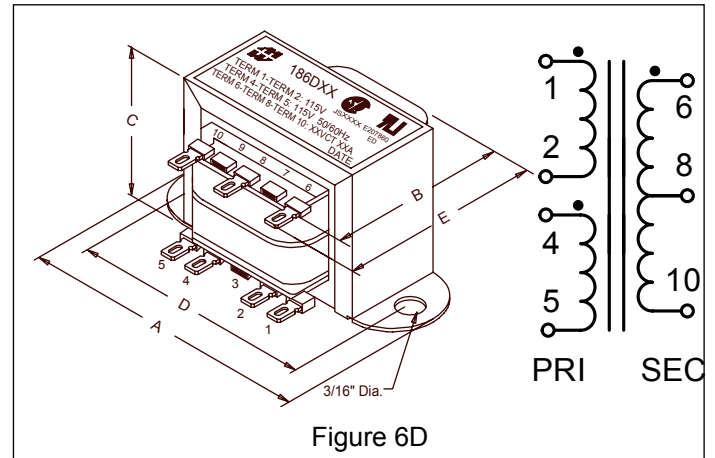
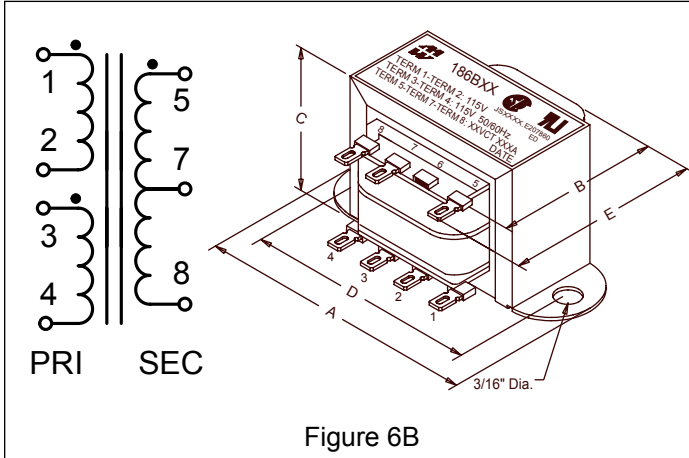


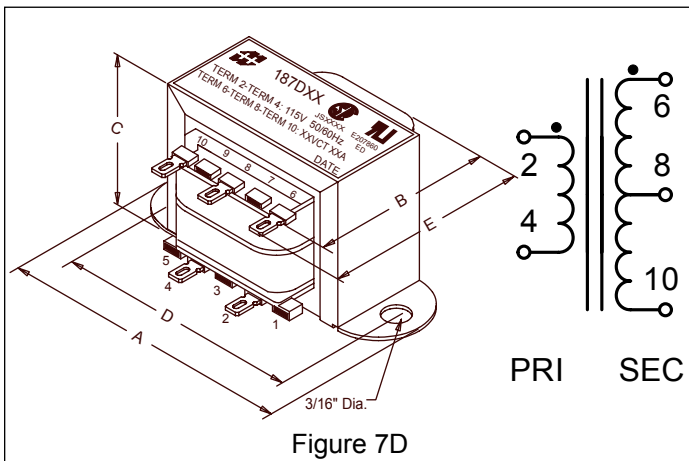
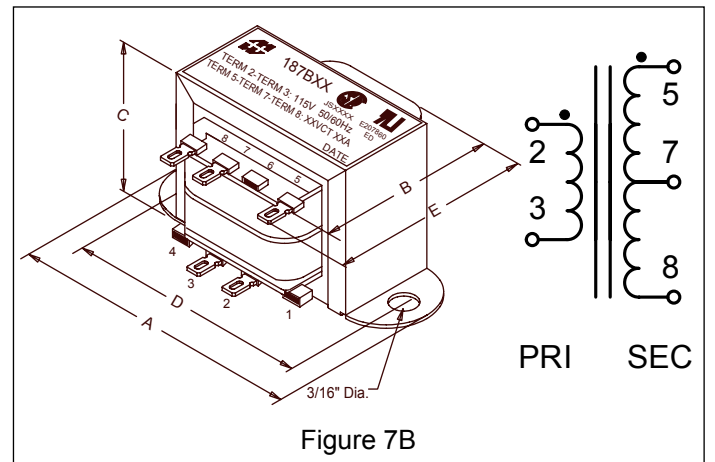
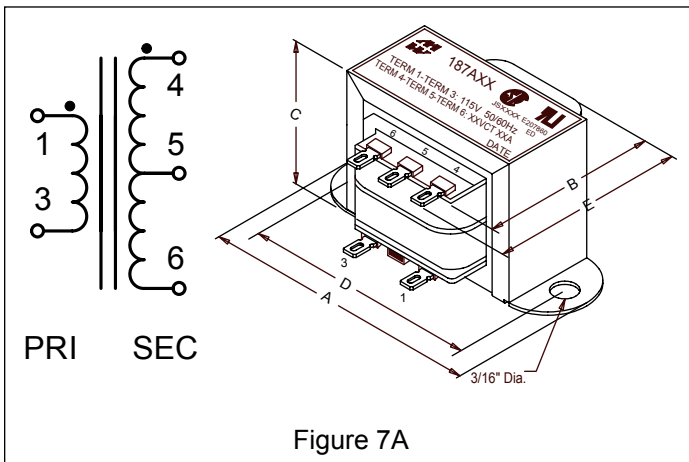


- Choice of two primaries: Single Primary 115VAC or Dual Primary 115/230 VAC.
- Either series operates on 50/60 Hz.
- Combination solder or quick connect terminals.
- Split bobbin construction eliminates need for electrostatic shield.
- Hi-pot tested to 2 KV RMS.
- Economical open style, channel frame - chassis mount design
- UL recognized & CSA certified
- For more information on this series, go to:
http://www.hammondmfg.com/186_187.htm

Transformer Schematics - Dual Primary (186 Series)



Transformer Schematics - Single Primary (187 Series)



VA Size	Dimensions (Inches)				
	Length (A)	Depth (Not Including Terminals) (B)	Height (C)	Mtg. Centers (D)	Depth To Terminal (E)
2.34 - 2.50	2.06	1.06	1.18	1.75	1.435
5.60 - 6.40	2.37	1.25	1.37	2.00	1.625
12 - 12.8	2.81	1.37	1.62	2.37	1.725
30 - 32	3.25	1.68	1.93	2.81	2.055
50 - 60	3.68	1.81	2.25	3.12	2.185
98 - 102	4.03	2.25	2.56	3.50	2.625

Part Number Single Primary 115VAC	Fig.	Part Number Dual Primary 115/230VAC	Fig.	Secondary (RMS)		VA Rating
				VAC	Current (Amps)	
187A10	7A	NOT AVAILABLE	-	10V C.T.	0.25	2.5
187B10	7B	186B10	6B	10V C.T.	0.60	6.0
187C10	7B	186C10	6B	10V C.T.	1.20	12.0
187D10	7D	186D10	6D	10V C.T.	3.00	30.0
187E10	7D	186E10	6D	10V C.T.	5.00	50.0
187F10	7D	186F10	6D	10V C.T.	10.00	100.0
187A12	7A	NOT AVAILABLE	-	12.6V C.T.	0.19	2.5
187B12	7B	186B12	6B	12.6V C.T.	0.50	6.3
187C12	7B	186C12	6B	12.6V C.T.	1.00	12.6
187D12	7D	186D12	6D	12.6V C.T.	2.50	31.5
187E12	7D	186E12	6D	12.6V C.T.	4.00	50.4
187F12	7D	186F12	6D	12.6V C.T.	8.00	100.8
187A16	7A	NOT AVAILABLE	-	16V C.T.	0.15	2.4
187B16	7B	186B16	6B	16V C.T.	0.40	6.4
187C16	7B	186C16	6B	16V C.T.	0.80	12.8
187D16	7D	186D16	6D	16V C.T.	2.00	32.0
187E16	7D	186E16	6D	16V C.T.	3.50	56.0
187F16	7D	186F16	6D	16V C.T.	6.25	100.0
187A20	7A	NOT AVAILABLE	-	20V C.T.	0.12	2.4
187B20	7B	186B20	6B	20V C.T.	0.30	6.0
187C20	7B	186C20	6B	20V C.T.	0.60	12.0
187D20	7D	186D20	6D	20V C.T.	1.50	30.0
187E20	7D	186E20	6D	20V C.T.	2.80	56.0
187F20	7D	186F20	6D	20V C.T.	5.00	100.0
187A24	7A	NOT AVAILABLE	-	24V C.T.	0.10	2.4
187B24	7B	186B24	6B	24V C.T.	0.25	6.0
187C24	7B	186C24	6B	24V C.T.	0.50	12.0
187D24	7D	186D24	6D	24V C.T.	1.25	30.0
187E24	7D	186E24	6D	24V C.T.	2.40	57.6
187F24	7D	186F24	6D	24V C.T.	4.00	96.0
187A28	7A	NOT AVAILABLE	-	28V C.T.	0.08	2.4
187B28	7B	186B28	6B	28V C.T.	0.20	5.6
187C28	7B	186C28	6B	28V C.T.	0.42	12.0
187D28	7D	186D28	6D	28V C.T.	1.07	30.0
187E28	7D	186E28	6D	28V C.T.	2.00	56.0
187F28	7D	186F28	6D	28V C.T.	3.57	100.0
187A36	7A	NOT AVAILABLE	-	36V C.T.	0.06	2.34
187B36	7B	186B36	6B	36V C.T.	0.17	6.12
187C36	7B	186C36	6B	36V C.T.	0.35	12.6
187D36	7D	186D36	6D	36V C.T.	0.85	30.6
187E36	7D	186E36	6D	36V C.T.	1.50	54.0
187F36	7D	186F36	6D	36V C.T.	2.80	100.8
187A48	7A	NOT AVAILABLE	-	48V C.T.	0.05	2.4
187B48	7B	186B48	6B	48V C.T.	0.12	6.0
187C48	7B	186C48	6B	48V C.T.	0.25	12.0
187D48	7D	186D48	6D	48V C.T.	0.62	30.0
187E48	7D	186E48	6D	48V C.T.	1.20	57.6
187F48	7D	186F48	6D	48V C.T.	2.00	96.0
187A56	7A	NOT AVAILABLE	-	56V C.T.	0.04	2.5
187B56	7B	186B56	6B	56V C.T.	0.11	6.16
187C56	7B	186C56	6B	56V C.T.	0.21	12.3
187D56	7D	186D56	6D	56V C.T.	0.53	30.0
187E56	7D	186E56	6D	56V C.T.	1.00	56.0
187F56	7D	186F56	6D	56V C.T.	1.80	100.8
187A120	7A	NOT AVAILABLE	-	120V C.T.	0.02	2.4
187B120	7B	186B120	6B	120V C.T.	0.05	6.0
187C120	7B	186C120	6B	120V C.T.	0.10	12.0
187D120	7D	186D120	6D	120V C.T.	0.25	30.0
187E120	7D	186E120	6D	120V C.T.	0.50	60.0
187F120	7D	186F120	6D	120V C.T.	0.85	102.0