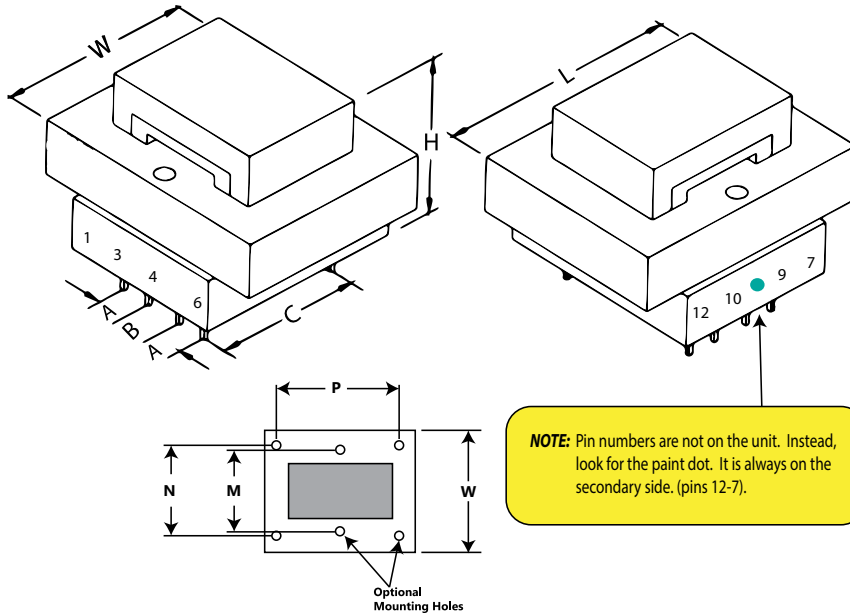


# 183G12

## Low Voltage P.C. Board Mounted Power Transformer



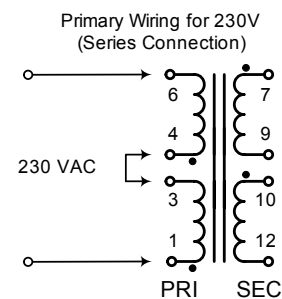
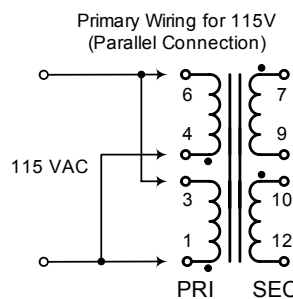
### Key Features:

- Universal operation on 50/60Hz, 115 or 230V dual primary for worldwide use.
- Low Profile, split bobbin with top shroud design
- Dual winding secondary, non-concentrically wound.
- Low Primary to secondary coupling with no electro-static shield required.
- High Insulation - Hipot of 4,000V RMS
- Class F Insulation - 155 degrees C.
- P.C. Board mount with industry standard pin spacing.
- Agency listings: cURus, CE, and TUV.

Mechanical - inches (mm)	
L	1.88 (47.8)
W	1.56 (39.6)
H	1.38 (35.1)
A	0.2 (5.1)
B	0.4 (10.2)
C	1.14 (29.0)
M	1.25 (31.8)
N	- (-)
P	- (-)
Pin Size	0.036 (0.9)
Screw Type	#4
Weight	0.53 lbs. / 0.24 kg
Electrical	
Size (VA)	10
Primary	115 / 230 VAC
Sec (Series)	12.6V C.T. @ 0.8A
Sec (Parallel)	6.3V @ 1.6A

## Connection Information 183 Series Power Transformers

### Primary Connections - 183 Series Transformers



### Secondary Connections - 183 Series Transformers

