

VS-ASI-J-Y-B-PUR-2,0-M12FR SCO

Order No.: 1404485



<http://eshop.phoenixcontact.de/phoenix/treeViewClick.do?UID=1404485>

AS-Interface distributor with IP67 degree of protection for two flat-ribbon conductors, with 2.0 m PUR round conductor and a molded, angled, A-coded, 4-pos. M12 SPEEDCON socket



Commercial data

| | |
|--------------------------|--------------------|
| GTIN (EAN) | 4 046356 322317 |
| sales group | D568 |
| Pack | 1 pcs. |
| Customs tariff | 85366990 |
| Catalog page information | Page 409 (PC-2011) |

Product notes

WEEE/RoHS-compliant since:
10/12/2007



<http://www.download.phoenixcontact.com>
Please note that the data given here has been taken from the online catalog. For comprehensive information and data, please refer to the user documentation. The General Terms and Conditions of Use apply to Internet downloads.

Technical data

Mechanical characteristics

| | |
|-----------------------------|----------------------------|
| Number of positions | 4 |
| Shielded | No |
| Insertion/withdrawal cycles | ≥ 100 (M12 connector) |
| Connection method | AS-i penetration technique |

| | |
|---|--|
| Cable diameter | 4.70 mm |
| Type of cable | Round cable |
| Cable structure | 4x 0.34 mm ² |
| Duty cycle testing | Flexible cable conduit capable |
| Smallest bending radius, fixed installation | 50 mm |
| Smallest bending radius, movable installation | 50 mm |
| Length of cable | 2 m |
| Color | black |
| Tightening torque, min. | 1.65 Nm |
| Ambient temperature (operation) | -25 °C ... 75 °C (Distributor) |
| | -25 °C ... 75 °C (cable, fixed installation) |
| | -5 °C ... 75 °C (cable, flexible installation) |
| Ambient temperature (storage/transport) | -25 °C ... 80 °C |

Material data

| | |
|--------------------------|------------------------------|
| Housing material | PA-GF |
| Contact carrier material | TPE-U |
| Contact material | CuZn |
| Contact surface material | Ni/Au |
| Material | CuSn (M12 contact) |
| | TPU GF (M12 contact carrier) |
| | Ni/Au (M12 contact surface) |
| | TPU (M12 handle) |
| Cable gland material | Zinc die-cast, nickel-plated |
| Outer sheath, material | PUR |
| External sheath, color | Deep black RAL 9005 |
| Degree of protection | IP65/67 |

Electrical characteristics

| | |
|-----------------------|--------|
| Rated voltage (III/3) | ≤ 35 V |
| Rated current | ≤ 4 A |

Line characteristics

| | |
|-------------------------|------------------------|
| Cable type | PUR halogen-free black |
| Cable abbreviation | Li9Y11Y-HF |
| Conductor cross section | 0.34 mm ² |
| AWG signal line | 22 |

| | |
|---|---|
| Conductor structure signal line | 42x 0.10 mm |
| Core diameter including insulation | 1.27 mm ±0.02 mm |
| Thickness, insulation | ≥ 0.21 mm (Core insulation) |
| | ≥ 0.8 mm (Outer cable sheath) |
| External cable diameter | 4.7 mm ±0.15 mm |
| Wire colors | Black, brown, blue, white |
| External sheath, color | Black-gray RAL 7021 |
| Insulation resistance | ≥ 1 GΩ*km |
| Conductor resistance | max. 58 Ω/km (at 20°C) |
| Nominal voltage, conductor | ≤ 300 V |
| Test voltage, conductor | ≥ 3000 V |
| Overall twist | 4 wires, twisted |
| Length of twist, overall twist | 49.5 mm |
| Outer sheath, material | PUR |
| Material conductor insulation | PP |
| Conductor material | Bare Cu litz wires |
| Cable weight | 30 kg/km |
| Smallest bending radius, fixed installation | 23.5 mm |
| Smallest bending radius, movable installation | 47 mm |
| Max. bending cycles | 4000000 |
| Bending radius | 47 mm |
| Traversing path | 10 m |
| Traversing rate | 3 m/s |
| Acceleration | 10 m/s ² |
| Special properties | Flexible cable conduit capable |
| | Silicone-free |
| | Free of substances which would hinder coating with paint or varnish |
| | Flexible |
| Flame resistance | in accordance with DIN UL-Style 20549 |
| | in accordance with FT1 as per UL 758 |
| Halogen-free | in accordance with DIN VDE 0472 part 815 |
| Resistance to oil | in accordance with DIN EN 60811-2-1 |
| Other resistance | Highly resistant to acids, alkaline solutions and solvents |
| | hydrolysis and microbe resistant |

| | |
|---------------------------------|---|
| Ambient temperature (operation) | -40 °C ... 80 °C (cable, fixed installation) |
| | -25 °C ... 80 °C (cable, flexible installation) |

Accessories

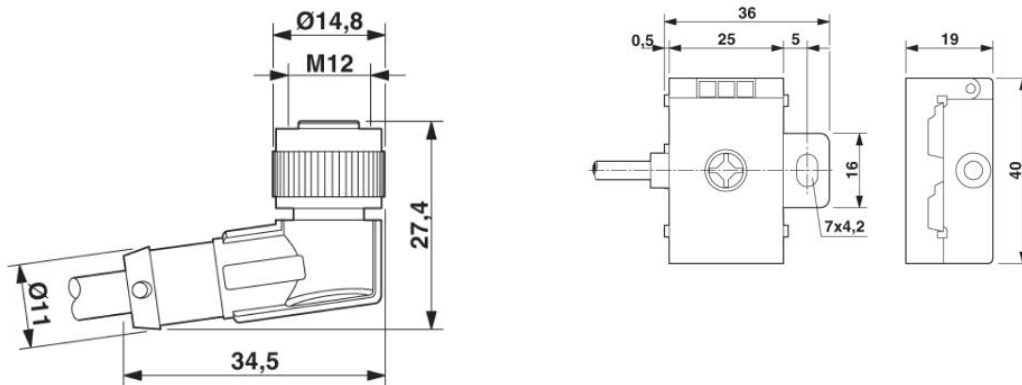
| Item | Designation | Description |
|----------------|-------------|---|
| General | | |
| 1205163 | SZK PH2 VDE | Screwdriver, PH crosshead, VDE insulated, size: PH 2 x 100 mm, 2-component grip, with non-slip grip |

| Protection and sealing elements | | |
|--|-------------|--|
| 1553129 | PROT-MS SCO | M12 screw plug with SPEEDCON quick locking for unoccupied M12 sockets of the sensor/actuator cables, boxes and flush-type connectors |

| Tools | | |
|--------------|-----------------|---|
| 1208432 | SAC BIT M12-D15 | Nut for assembling sensor/actuator cables with M12 connector and for M12 connectors with QUICKON fast connection technology, for 4 mm hexagonal drive |
| 1208429 | TSD 04 SAC | Torque screwdriver, with preset torque of 0.4 Nm and 4 mm hexagonal drive for M12 connectors |

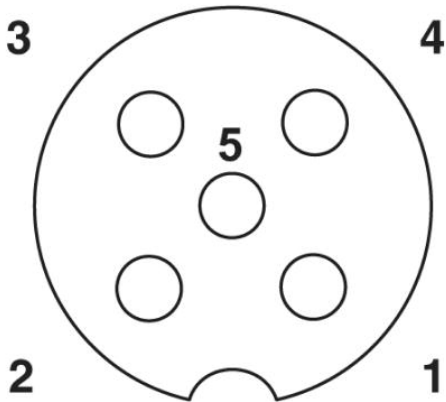
Diagrams/Drawings

Dimensioned drawing



M12 x 1 female connector, angled

Schematic diagram



Pin assignment M12, PIN 1: AS-i +, PIN 2: AUX -, PIN 3: AS-i -,
PIN 4: AUX +, PIN 5: Not used

Address

PHOENIX CONTACT Inc., USA
586 Fulling Mill Road
Middletown, PA 17057, USA
Phone (800) 888-7388
Fax (717) 944-1625
<http://www.phoenixcon.com>



© 2011 Phoenix Contact
Technical modifications reserved;