

Sensor/actuator box - SACB-8/8-L-PUR SCO FLK14/MCV3P - 1547928

Please be informed that the data shown in this PDF Document is generated from our Online Catalog. Please find the complete data in the user's documentation. Our General Terms of Use for Downloads are valid (<http://phoenixcontact.com/download>)

Sensor/actuator box, Application: Standard, Connection method: M12-SPEEDCON-socket Metal, Number of slots: 8, Number of positions: 4, Slot assignment: Single, Status indication: Yes, pnp; Master cable connection: Rear FLK pin strip and MINI COMBICON 270°, Shielding: No



The figure shows the top and bottom side of the article

Why buy this product

- Safety in the field, thanks to molded housing and high degree of protection
- Flexible, distributed bundling of signals in one master cable
- Convenient: increased machine availability thanks to quick and easy diagnostics
- Save time, thanks to installation with SPEEDCON fast locking system
- Easy PLC system cabling, thanks to master connection on the back



Key commercial data

Packing unit	1 pc
GTIN	 4 046356 135528
Weight per Piece (excluding packing)	324.09 g
Custom tariff number	85444290
Country of origin	Poland
Note	Made to Order (non-returnable)

Technical data

General

Rated voltage	24 V DC
Max. operating voltage U_{max}	30 V DC
Current carrying capacity per I/O signal	0.5 A (1 A to 40°C)
Current carrying capacity per slot	0.5 A (1 A to 40°C)
Total rated current	4 A
	8 A (up to 40 °C)
Number of positions	4

Sensor/actuator box - SACB-8/8-L-PUR SCO FLK14/MCV3P - 1547928

Technical data

General

Number of slots	8
Sensor/actuator connection system	M12-SPEEDCON-socket

Ambient conditions

Degree of protection	IP54 (With sealed mounting holes)
Ambient temperature (operation)	-30 °C ... 80 °C
Ambient temperature (storage/transport)	-30 °C ... 90 °C

Local diagnostics function

Local diagnostics	Supply voltage Green LED
	Status display I/O Yellow LED

Master cable data/connection data

Connection method	Rear FLK pin strip and MINI COMBICON
Stripping length (signal)	9 mm
Conductor cross section min. (energy)	0.14 mm ²
Conductor cross section max. (energy)	1.5 mm ²
Conductor cross section AWG min. (energy)	26
Conductor cross section AWG max. (energy)	16
Tightening torque slot sensor/actuator cable	0.4 Nm
Tightening torque of mounting screw for fixing the housing	0.5 Nm

Insulation material

Housing material	PBT
Material of the moulding mass	PUR
Contact material	Cu alloy
Contact surface material	Gold-plated
Contact carrier material	PA
Material of contact, master cable side	CU alloy
Material of contact surface, master cable side	tin-plated
Material of the contact carrier on the master cable side	PA
Material of threaded sleeve	Zinc die-cast
Material of threaded sleeve surface	Nickel-plated
O-ring material	NBR
Sealing material	CR (flat gasket on the back)

Pin assignment

Slot/position = Wire color or connection	1 / 4 (A) = 1
	2 / 4 (A) = 2
	3 / 4 (A) = 3
	4 / 4 (A) = 4
	5 / 4 (A) = 5
	6 / 4 (A) = 6

Sensor/actuator box - SACB-8/8-L-PUR SCO FLK14/MCV3P - 1547928

Technical data

Pin assignment

	7 / 4 (A) = 7
	8 / 4 (A) = 8
	1-8 / 1 (+ 24 V) = 9
	1-8 / 1 (+ 24 V) = 11
	1-8 / 1 (+ 24 V) = 13
	1-8 / 3 (0 V) = 10
	1-8 / 3 (0 V) = 12
	1-8 / 3 (0 V) = 14

Classifications

eCl@ss

eCl@ss 4.0	27250313
eCl@ss 4.1	27250313
eCl@ss 5.0	27143423
eCl@ss 5.1	27143423
eCl@ss 6.0	27143423
eCl@ss 7.0	27449001
eCl@ss 8.0	27279219

ETIM

ETIM 3.0	EC001856
ETIM 4.0	EC002585
ETIM 5.0	EC002585

UNSPSC

UNSPSC 6.01	31261501
UNSPSC 7.0901	31261501
UNSPSC 11	31261501
UNSPSC 12.01	31261501
UNSPSC 13.2	31261501

Approvals

Approvals

Approvals

EAC

Ex Approvals

Sensor/actuator box - SACB-8/8-L-PUR SCO FLK14/MCV3P - 1547928

Approvals

Approvals submitted

Approval details

EAC

Accessories

Accessories

Device marking

Contact marker – zack marker strip - SS-ZB 17,5 WH - 0804963



Contact marker – zack marker strip, Strip, white, unlabeled, can be labeled with: Plotter, Mounting type: Snap into flat marker groove, Lettering field: 17.5 x 9 mm

Contact marker – zack marker strip - SS-ZB 17,5 YE - 0804976



Contact marker – zack marker strip, Strip, yellow, unlabeled, can be labeled with: Plotter, Mounting type: Snap into flat marker groove, Lettering field: 17.5 x 9 mm

Front adapter

Front adapters - FLKM 14-PA-INLINE/IN16 - 2302751



VARIOFACE front adapter for Inline modules, for transferring 16 (2 x 8) digital input signals.

Front adapters - FLKM 14-PA-INLINE/OUT16 - 2302764



VARIOFACE front adapter for Inline modules, for transferring 16 (2 x 8) digital output signals.

Sensor/actuator box - SACB-8/8-L-PUR SCO FLK14/MCV3P - 1547928

Accessories

Front adapters - FLKM 14-PA-INLINE/32 - 2302777



VARIOFACE front adapter for Inline modules, for transferring 32 (4 x 8) digital signals.

Labeled device marker

Contactor marker – zack marker strip - SS-ZB 17,5 WH CUS - 0824468



Contactor marker – zack marker strip, can be ordered: Strip, white, labeled according to customer specifications, Mounting type: Snap into flat marker groove, Lettering field: 17.5 x 9 mm

Contactor marker – zack marker strip - SS-ZB 17,5 YE CUS - 0824469



Contactor marker – zack marker strip, can be ordered: Strip, yellow, labeled according to customer specifications, Mounting type: Snap into flat marker groove, Lettering field: 17.5 x 9 mm

Protective cap

Screw plug - PROT-MS SCO - 1553129



M12 screw plug with SPEEDCON quick locking for unoccupied M12 sockets of the sensor/actuator cables, boxes and flush-type connectors

Screwdriver tools

Screwdriver - SZF 1-0,6X3,5 - 1204517



Actuation tool, for ST terminal blocks, also suitable for use as a bladed screwdriver, size: 0.6 x 3.5 x 100 mm, 2-component grip, with non-slip grip

Sensor/actuator box - SACB-8/8-L-PUR SCO FLK14/MCV3P - 1547928

Accessories

Adapter insert - TSD-M SAC-BIT ADAPTER - 1212600



Adapter bit for TSD-M...torque tools, E6.3-1/4" drive with 4 mm hexagon to accommodate SAC bits

Tool - SAC BIT M12-D15 - 1208432



Nut for assembling sensor/actuator cables with M12 connector and for M12 connectors with QUICKON fast connection technology, for 4 mm hexagonal drive

Tool - SACC BIT M12-D20 - 1208445



Nut for assembling SACC M12 connectors for free assembly, excluding M12 connectors with QUICKON fast connection technology, for 4 mm hexagonal drive

System cable

Cable - FLK 14/EZ-DR/ 50/KONFEK - 2288901



Round cable set, with two 14-pos. socket strips (1:1 connection), for connecting 8 channels, cable length: 0.5 m

Cable - FLK 14/EZ-DR/ 100/KONFEK - 2288914



Round cable set, with two 14-pos. socket strips (1:1 connection), for connecting 8 channels, cable length: 1 m

Sensor/actuator box - SACB-8/8-L-PUR SCO FLK14/MCV3P - 1547928

Accessories

Cable - FLK 14/EZ-DR/ 200/KONFEK - 2288930



Round cable set, with two 14-pos. socket strips (1:1 connection), for connecting 8 channels, cable length: 2 m

Cable - FLK 14/EZ-DR/ 500/KONFEK - 2290834



Round cable set, with two 14-pos. socket strips (1:1 connection), for connecting 8 channels, cable length: 5 m

Cable - FLK 14/EZ-DR/HF/ 50/KONFEK - 2305952



Assembled halogen-free round cable, with two 14-pos. socket strips (1:1 connection), to transfer 8 channels, for example. Halogen-free refers exclusively to the 14-pos. cable. Length of cable: 0.5 m

Cable - FLK 14/EZ-DR/HF/ 100/KONFEK - 2305965



Assembled halogen-free round cable, with two 14-pos. socket strips (1:1 connection), to transfer 8 channels, for example. Halogen-free refers exclusively to the 14-pos. cable. Length of cable: 1 m

Cable - FLK 14/EZ-DR/HF/ 200/KONFEK - 2305981



Assembled halogen-free round cable, with two 14-pos. socket strips (1:1 connection), to transfer 8 channels, for example. Halogen-free refers exclusively to the 14-pos. cable. Length of cable: 2 m

Sensor/actuator box - SACB-8/8-L-PUR SCO FLK14/MCV3P - 1547928

Accessories

Cable - FLK 14/EZ-DR/HF/ 500/KONFEK - 2304717



Assembled halogen-free round cable, with two 14-pos. socket strips (1:1 connection), to transfer 8 channels, for example. Halogen-free refers exclusively to the 14-pos. cable.
Length of cable: 5 m

Cable - CABLE-FLK14/OE/0,14/ 50 - 2305761



Round cable assembled with a 14-pos. socket strip and an open end. On the open end, the wires are labeled with 1 to 14 and have ferrules, cable length: 0.5 m

Cable - CABLE-FLK14/OE/0,14/ 100 - 2305253



Round cable assembled with a 14-pos. socket strip and an open end. On the open end, the wires are labeled with 1 to 14 and have ferrules, cable length: 1 m

Cable - CABLE-FLK14/OE/0,14/ 200 - 2305279



Round cable assembled with a 14-pos. socket strip and an open end. On the open end, the wires are labeled with 1 to 14 and have ferrules, cable length: 2 m

Cable - CABLE-FLK14/OE/0,14/ 400 - 2305774



Round cable assembled with a 14-pos. socket strip and an open end. On the open end, the wires are labeled with 1 to 14 and have ferrules, cable length: 4 m

Sensor/actuator box - SACB-8/8-L-PUR SCO FLK14/MCV3P - 1547928

Accessories

Cable - FLK 50/4X14/EZ-DR/ 50/KONFEK - 2296689



Round cable set, for connection to the VARIOFACE system cabling, with a 50-position socket strip and four 14-position socket strips, for splitting max. 32 channels into 4 x 8 channels, no. of positions: 50/ 4 x 14, cable length 0.5 m

Cable - FLK 50/4X14/EZ-DR/ 100/KONFEK - 2296692



Round cable set, for connection to the VARIOFACE system cabling, with a 50-position socket strip and four 14-position socket strips, for splitting max. 32 channels into 4 x 8 channels, no. of positions: 50/ 4 x 14, cable length 1.0 m

Cable - FLK 50/4X14/EZ-DR/ 200/KONFEK - 2296715



Round cable set, for connection to the VARIOFACE system cabling, with a 50-position socket strip and four 14-position socket strips, for splitting max. 32 channels into 4 x 8 channels, no. of positions: 50/ 4 x 14, cable length 2.0 m

Cable - FLK 50/4X14/EZ-DR/ 400/KONFEK - 2296731



Round cable set, for connection to the VARIOFACE system cabling, with a 50-position socket strip and four 14-position socket strips, for splitting max. 32 channels into 4 x 8 channels, no. of positions: 50/ 4 x 14, cable length 4.0 m

Torque tool

Torque screwdriver - TSD 04 SAC - 1208429



Torque screwdriver, with preset torque of 0.4 Nm and 4 mm hexagonal drive for M12 connectors

Sensor/actuator box - SACB-8/8-L-PUR SCO FLK14/MCV3P - 1547928

Accessories

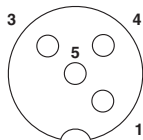
Torque screwdriver - TSD-M 1,2NM - 1212224



Torque screw driver, accuracy as per EN ISO 6789 standard, adjustable from 0.3 - 1.2 Nm

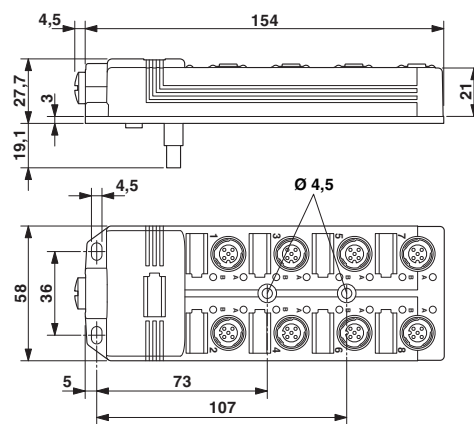
Drawings

Schematic diagram

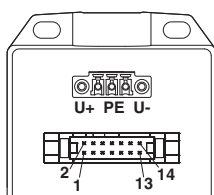


Pin assignment for M12 socket, 4-pos.

Dimensioned drawing

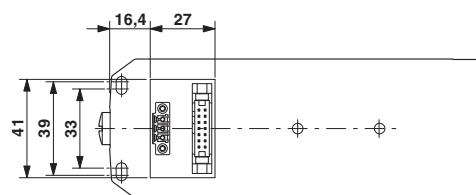


Connection diagram



FLK Connection	M12 Slots/pos.
1	1 / 4
2	2 / 4
3	3 / 4
4	4 / 4
5	5 / 4
6	6 / 4
7	7 / 4
8	8 / 4
9	1-8 / 1 (+24V)
11	1-8 / 1 (+24V)
13	1-8 / 1 (+24V)
10	1-8 / 3 (0V)
12	1-8 / 3 (0V)
14	1-8 / 3 (0V)

Dimensioned drawing



Circuit diagram

