


SAC-M12MS/A-L-S/0,2PUR/A-L-S

Order No.: 1500392

As illustrated but with straight male connector

<http://eshop.phoenixcontact.de/phoenix/treeViewClick.do?UID=1500392>

Sensor/Actuator cable, 3-position, PUR/PVC, Black RAL 9005, Plug, straightLink:M12, with 1 LED, A-coded, connected with Z diode, on Valve plug A, with 1 LED, connected with Z diode, Cable length: 0.2 m

Commercial data	
GTIN (EAN)	 4 017918 590079
sales group	D113
Pack	5 pcs.
Customs tariff	85444290

Product notesWEEE/RoHS-compliant since:
07/04/2006

<http://www.download.phoenixcontact.com>
Please note that the data given here has been taken from the online catalog. For comprehensive information and data, please refer to the user documentation. The General Terms and Conditions of Use apply to Internet downloads.

Technical data	
General data	
Rated current at 40°C	4 A
Rated voltage	24 V
Number of positions	3
Volume resistance	≤ 5 mΩ

Insulation resistance	≥ 100 MΩ
Length of cable	0.2 m

General characteristics

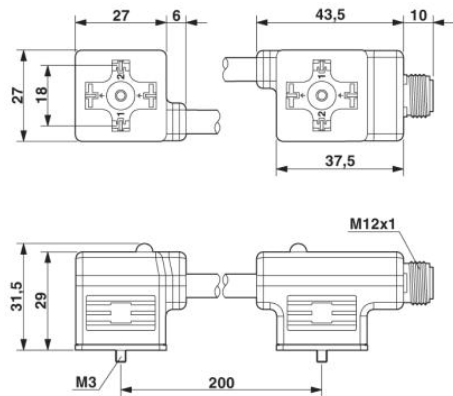
Surge voltage category	II
Pollution degree	3
Degree of protection	IP67
Insertion/withdrawal cycles	≥ 100
Contact material	CuSn
Contact surface material	Ag
Valve plug contact insert material	PBT
Material housing valve plug	PBT
Sealing material	TPU (Flat gasket valve plug)
Status display	1 LED
Protective circuit/component	Z diode

Conductor data

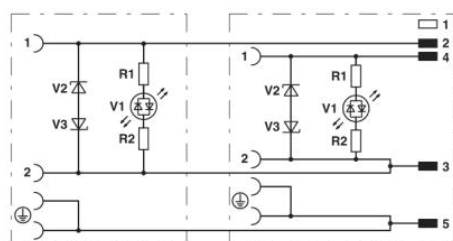
Cable type	PUR/PVC black
Conductor cross section	0.75 mm ²
Conductor structure signal line	24x 0.20 mm
External cable diameter	5.90 mm
Wire colors	Black 1, black 2, green/yellow
External sheath, color	Black RAL 9005
Outer sheath, material	PUR
Material, inner sheath	PVC

Diagrams/Drawings

Dimensioned drawing

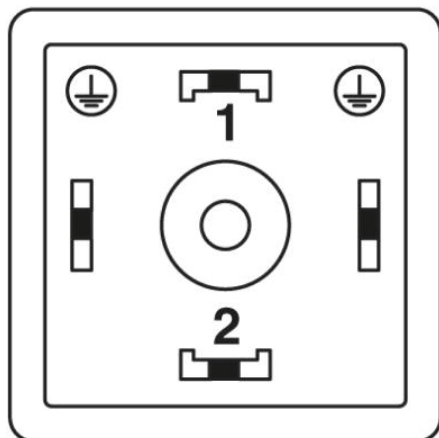


Circuit diagram



Wiring of double valve connector cable

Schematic diagram



Valve connector pin assignment, type A

Address

PHOENIX CONTACT Inc., USA
586 Fulling Mill Road
Middletown, PA 17057, USA
Phone (800) 888-7388
Fax (717) 944-1625
<http://www.phoenixcon.com>



© 2012 Phoenix Contact
Technical modifications reserved;