

REV. Status

REVISION -
8/31/99 TS

International Power Transformer

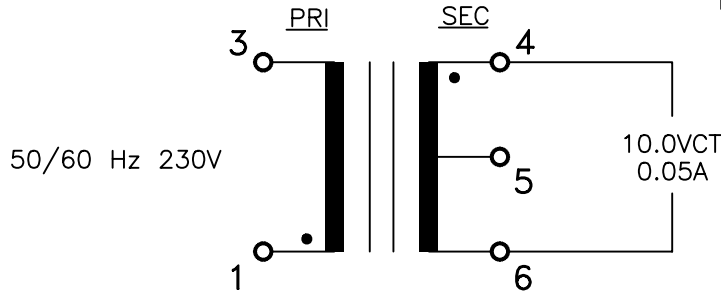
A. Electrical Specifications (@ 25 ° C)

1. Input voltage: 50/60Hz 230V
2. Output voltage: AC 10.0V±5% @ 0.05A load
3. Output voltage regulation:
25% MAX input 50/60Hz 230V @ full load to no load
4. Existing current: 15mA MAX @ input 230V 50Hz
5. Temperature Rise: 35 ° C MAX
6. Insulation Resistance:
DC 500V 100MΩ MIN Pri to Sec, Pri to Core, Sec to Core
7. Hi-Pot: AC 4KVrms 1 minute Pri to Sec, Pri to Core
AC 500Vrms 1 minute Sec to Core

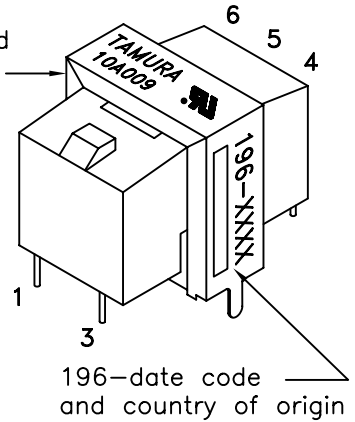
B. Marking: 10A009, TAMURA, PW28-10-230, MICROTRAN, 196-date code, and country of origin

C. Safety: UL1411 Class A File No. E98949

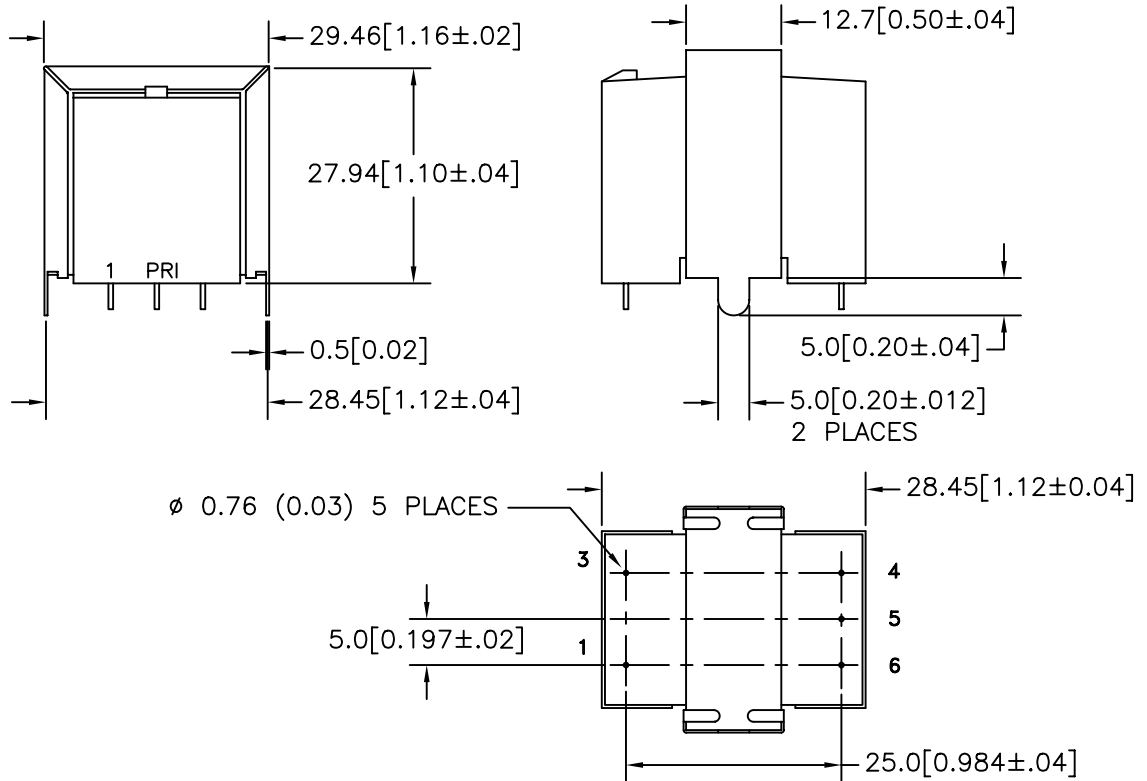
D. Schematic Diagram



MICROTRAN and
PW28-10-230



E. Mechanical Specifications



PREPARED BY:

D. Rund
ENGINEER:

T. Shiozawa
QUALITY CONTROL:

D. Kelley
APPROVED:

D. Kelley

DWG CONTROL NO. P-A1-12218
ACAD\MXFMR\A1122181.DWG

REV - POWER TRANSFORMER
10A009

CONTENTS OF THIS DRAWING ARE SUBJECT TO CHANGE WITHOUT PRIOR NOTICE

TAMURA CORPORATION OF AMERICA
43352 BUSINESS PARK DRIVE, TEMECULA, CA. 92590-6624
(909) 699-1270 FAX 9096769482

10A009
MODEL SPECIFICATION
DIM: MM(IN) SCL: 1/1 SH: 1 OF 1

PROPRIETARY NOTICE: THIS DRAWING PRINT OR DOCUMENT AND SUBJECT MATTER DISCLOSED HEREIN ARE PROPRIETARY ITEMS TO WHICH TAMURA RETAINS THE EXCLUSIVE RIGHT OF DISSEMINATION, REPRODUCTION, MANUFACTURE AND SALE. THIS DRAWING, PRINT OR DOCUMENT IS SUBMITTED IN CONFIDENCE FOR CONSIDERATION BY THE RECIPIENT ALONE UNLESS PERMISSION FOR FURTHER DISCLOSURE IS EXPRESSLY GRANTED IN WRITING.

MODEL NUMBER
10A009

Mouser Electronics

Authorized Distributor

Click to View Pricing, Inventory, Delivery & Lifecycle Information:

[Tamura:](#)

[10A009](#)