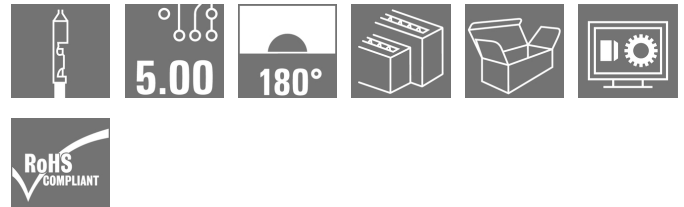


OMNIMATE Signal - series RSV RSV1,6 B9 GR

Weidmüller Interface GmbH & Co. KG
 Klingenbergstraße 16
 D-32758 Detmold
 Germany
 Fon: +49 5231 1429-0
 Fax: +49 5231 14292083
 www.weidmueller.com



Rectangular plug-in connector for use with crimp contacts. Can be used as universal coupling, but also with the PCB variations. The crimp contacts guarantee a high connection density. CS 1.6 or CB 1.6 contacts can be used here. The plug-in connectors can be coded and locked to the mating connector. Supplied in cardboard box.

General ordering data

Type	RSV1,6 B9 GR
Order No.	1415000000
Version	PCB plug-in connector, female plug, 5.00 mm, No. of poles: 9, 180°, Crimp connection, Clamping range, rated connection, max.: 3.31 mm ² , Box
GTIN (EAN)	4008190187118
Qty.	25 pc(s).
Product data	IEC: 630 V / 17 A UL: 600 V / 10 A / AWG 26 - AWG 12
Packaging	Box

OMNIMATE Signal - series RSV
RSV1,6 B9 GR

Weidmüller Interface GmbH & Co. KG
 Klingenbergstraße 16
 D-32758 Detmold
 Germany
 Fon: +49 5231 1429-0
 Fax: +49 5231 14292083
 www.weidmueller.com

Technical data
Dimensions and weights

Net weight 8.84 g

System parameters

Product family	OMNIMATE Signal - series RSV	Type of connection	Field connection
Wire connection method	Crimp connection	Pitch in mm (P)	5 mm
Pitch in inches (P)	0.197 inch	Conductor outlet direction	180°
No. of poles	9	L1 in mm	10 mm
L1 in inches	0.394 inch	Number of rows	1
Pin series quantity	3	Touch-safe protection acc. to DIN VDE 57 106	Safe from finger touch
Touch-safe protection acc. to DIN VDE 0470	IP 20	Can be coded	Yes
Stripping length	4 mm	push-in force/pole	9 N
Withdrawal force per pole	18 N	Packaging	Box

Material data

Insulating material	Wemid (PA)	Colour	Pebble grey
Colour chart (similar)	RAL 7032	Insulating material group	I
CTI	≥ 600	UL 94 flammability rating	V-0
Contact material	Copper alloy	Storage temperature, min.	-25 °C
Storage temperature, max.	55 °C	Max. relative humidity during storage	80 %
Operating temperature, max.	100 °C	Temperature range, installation, max.	100 °C

Conductors suitable for connection

Clamping range, rated connection, min.	0.13 mm ²	Clamping range, rated connection, max.	3.31 mm ²
Flexible, min. H05(07) V-K	0.2 mm ²	Flexible, max. H05(07) V-K	2.5 mm ²

Rated data acc. to IEC

tested acc. to standard	IEC 60664-1, IEC 61984	Rated current, min. no. of poles (Ta = 20°C)	17 A
Rated current, max. no. of poles (Ta = 20°C)	13 A	Rated current, min. no. of poles (Ta = 40°C)	15 A
Rated current, max. no. of poles (Ta = 40°C)	11.5 A	Rated voltage for surge voltage class / pollution degree II/2	630 V
Rated voltage for surge voltage class / pollution degree III/2	400 V	Rated voltage for surge voltage class / pollution degree III/3	250 V
Rated impulse voltage for surge voltage class/ pollution degree II/2	4 kV	Rated impulse voltage for surge voltage class/ pollution degree III/2	4 kV
Rated impulse voltage for surge voltage class/ contamination degree III/3	4 kV	Short-time withstand current resistance	3 x 1s with 120 A


Data sheet

**OMNIMATE Signal - series RSV
RSV1,6 B9 GR**


Weidmüller Interface GmbH & Co. KG
Klingenbergstraße 16
D-32758 Detmold
Germany
Fon: +49 5231 1429-0
Fax: +49 5231 14292083
www.weidmueller.com

Technical data

Rated data acc. to CSA

Institute (CSA)		Certificate No. (CSA)	53975-13
Rated voltage (Use group C)	600 V	Rated current (use group C)	13 A
Wire cross-section, AWG, min.	AWG 26	Wire cross-section, AWG, max.	AWG 12
Reference to approval values	Specifications are maximum values, details - see approval certificate.		

Rated data acc. to UL 1059

Institute (UR)		Certificate No. (UR)	E92202
Reference to approval values	Specifications are maximum values, details - see approval certificate.		

Classifications

ETIM 3.0	EC001284	ETIM 4.0	EC002636
ETIM 5.0	EC002636	ETIM 6.0	EC002637
UNSPSC	30-21-18-10	eClass 5.1	27-26-07-01
eClass 6.2	27-26-07-03	eClass 7.1	27-44-01-01
eClass 8.1	27-44-01-01	eClass 9.0	27-44-01-01
eClass 9.1	27-44-04-02		

Notes

- Notes
- Additional colours on request
 - Rated current related to rated cross-section & min. No. of poles.
 - Spacing between rows: see hole layout
 - Rated cross-section depends on crimp contact used.
 - Rated data refer only to the component itself. Clearance and creepage distances to other components are to be designed in accordance with the relevant application standards.
 - Max. outer diameter of the cable (with insulation): 3.5 mm

IPC conformity The products are developed, manufactured and delivered according to the internationally recognised IPC-A-610 standard, category "permissible". More extensive demands on the products can be evaluated on request.

Approvals



ROHS Conform

**OMNIMATE Signal - series RSV
RSV1,6 B9 GR**

Weidmüller Interface GmbH & Co. KG
Klingenbergstraße 16
D-32758 Detmold
Germany
Fon: +49 5231 1429-0
Fax: +49 5231 14292083
www.weidmueller.com

Technical data**Downloads**

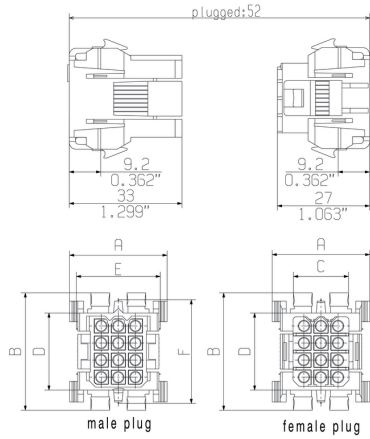
Approval/Certificate/Document of Conformity	Declaration of the Manufacturer
Brochure/Catalogue	MB DEVICE MANUF. EN CAT 2 PORTEFOLIOGUIDE EN FL 72H SAMPLE SER EN PO OMNIMATE EN
Engineering Data	EPLAN, WSCAD
Engineering Data	RSV1.6.zip

**OMNIMATE Signal - series RSV
RSV1,6 B9 GR**

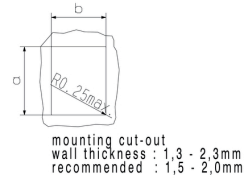
Weidmüller Interface GmbH & Co. KG
Klingenbergstraße 16
D-32758 Detmold
Germany
Fon: +49 5231 1429-0
Fax: +49 5231 14292083
www.weidmueller.com

Drawings

Dimensional drawing

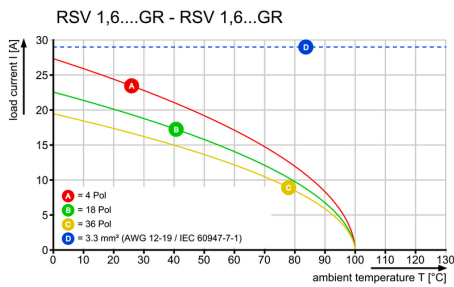


Dimensional drawing



poles	dimension male plug / female plug					mounting cut-out	
	A	B	C	D	E	a ±0.2	b ±0.2
4	23.0	25.0	10.8	12.8	17.8	20.3	18.1
6	23.0	30.0	10.8	17.8	17.8	25.1	18.1
9	29.0	30.0	16.6	17.6	23.8	25.1	24.0
12	29.0	35.0	16.6	22.6	23.8	30.0	24.0
18	29.0	46.0	16.6	23.0	23.8	40.5	24.0
24	31.0	46.0	20.6	23.0	27.8	40.5	26.3
36	33.0	61.0	20.6	48.0	27.8	55.5	26.3

Graph



OMNIMATE Signal - series RSV RSV1,6 B9 GR

Weidmüller Interface GmbH & Co. KG
Klingenbergstraße 16
D-32758 Detmold
Germany
Fon: +49 5231 1429-0
Fax: +49 5231 14292083
www.weidmueller.com

Accessories

Adapters for rail mounting



Clip on and use!

From the circuit board in the control cabinet: snap-on or mounting feet form the link between plug-in connectors and terminal rails.

Compatible with all standard sizes: TS 15 or TS 35.
Combination foot or variations available.

The quick alternative to screw connections: unbeatable ease of installation and service.

The mounting foot for the terminal rails allows the universal use of pluggable connection systems on the module, the enclosure and the control cabinet and avoids patchwork solutions.

General ordering data

Type	Order No.	Version	GTIN (EAN)	Qty.	Product data	Packaging
RSV1,6 RF9/35x7.5 SW	1582930000	PCB plug-in connector, Accessories, Clip-in foot, Black, No. of poles: 9	4008190144302	10 pc(s).	UL:	Box
RSV1,6 RF9/35x15 SW	1690130000	PCB plug-in connector, Accessories, Clip-in foot, Black, No. of poles: 9	4008190862992	10 pc(s).	UL:	Box

Females socket contact



For a reliable contact - CB/CS crimp contact.

The combination of RSV housings and Weidmüller's crimp contacts enable custom adaptations to the specific requirements of your applications.

The following product options are available depending on the system:

- Safe centring of the contacts using the three-segment pin tips
- High contact reliability using four defined contact points
- Locking clasp in the cantilever spring for a secure mount of the contacts in the housing
- Pin contacts with two lengths to implement leading-pin contacts
- Up to 100 plugging cycles (tin version)
- Up to 500 plugging cycles (gold version)

The appropriate high-quality tools from Weidmüller guarantee professional processing.

General ordering data

Type	Order No.	Version	GTIN (EAN)	Qty.	Product data	Packaging
CB1,6E18-16 AU,75 12,5	1426900000	PCB plug-in connector, Crimp contact, Individual contact, Socket, Gold-	4008190081799	250 pc(s).	UL:	Box

OMNIMATE Signal - series RSV
RSV1,6 B9 GR

Weidmüller Interface GmbH & Co. KG
 Klingenbergstraße 16
 D-32758 Detmold
 Germany
 Fon: +49 5231 1429-0
 Fax: +49 5231 14292083
 www.weidmueller.com

Accessories

		plated, Max. clamping range : 1.5 mm ²			
CB1,6E18-16 SN I2,5	1427900000	PCB plug-in connector, Crimp contact, Individual contact, Socket, tinned, Max. clamping range : 1.5 mm ²	4008190035808 250 pc(s).	UL:	Box
CB1,6E22-20 AU,75 I2,5	1424900000	PCB plug-in connector, Crimp contact, Individual contact, Socket, Gold-plated, Max. clamping range : 0.5 mm ²	400819018075 1 250 pc(s).	UL:	Box
CB1,6E14-12 AU,75 I3,5	1428900000	PCB plug-in connector, Crimp contact, Individual contact, Socket, Gold-plated, Max. clamping range : 2.5 mm ²	4008190072148 250 pc(s).	UL:	Box
CB1,6E18-16 AU,75 I3,5	1582410000	PCB plug-in connector, Crimp contact, Individual contact, Socket, Gold-plated, Max. clamping range : 1.5 mm ²	4008190176228 250 pc(s).	UL:	Box
CB1,6R14-12 AU,75 I4,2	1582460000	PCB plug-in connector, Crimp contact, Reel packaged, Socket, Gold-plated, Max. clamping range : 2.5 mm ²	4008190095895 3,000 pc(s).	UL:	Reel
CB1,6E26-24 SN I1,4	1421900000	PCB plug-in connector, Crimp contact, Individual contact, Socket, tinned, Max. clamping range : 0.25 mm ²	4008190051600 250 pc(s).	UL:	Box
CB1,6R14-12 AU,75 I3,5	1428800000	PCB plug-in connector, Crimp contact, Reel packaged, Socket, Gold-plated, Max. clamping range : 2.5 mm ²	4008190044169 3,000 pc(s).	UL:	Reel
CB1,6E14-12 SN I4,2	1582470000	PCB plug-in connector, Crimp contact, Individual contact, Socket, tinned, Max. clamping range : 2.5 mm ²	4008190067939 250 pc(s).	UL:	Box
CB1,6E18-16 SN I3,5	1582430000	PCB plug-in connector, Crimp contact, Individual contact, Socket, tinned, Max. clamping range : 1.5 mm ²	4008190050450 250 pc(s).	UL:	Box
CB1,6E22-20 SN I2,5	1425900000	PCB plug-in connector, Crimp contact, Individual contact, Socket, tinned, Max. clamping range : 0.5 mm ²	4008190054731 250 pc(s).	UL:	Box
CB1,6E22-20 AU,75 I1,8	1422900000	PCB plug-in connector, Crimp contact, Individual	4008190179243 250 pc(s).	UL:	Box

Creation date December 31, 2017 12:01:45 PM CET

OMNIMATE Signal - series RSV
RSV1,6 B9 GR

Weidmüller Interface GmbH & Co. KG
 Klingenbergstraße 16
 D-32758 Detmold
 Germany
 Fon: +49 5231 1429-0
 Fax: +49 5231 14292083
 www.weidmueller.com

Accessories

		contact, Socket, Gold-plated, Max. clamping range : 0.5 mm ²			
CB1,6E14-12 SN I3,5	1429900000	PCB plug-in connector, Crimp contact, Individual contact, Socket, tinned, Max. clamping range : 2.5 mm ²	4008190071356250 pc(s).	UL:	Box
CB1,6E14-12 AU,75 I4,2	1582450000	PCB plug-in connector, Crimp contact, Individual contact, Socket, Gold-plated, Max. clamping range : 2.5 mm ²	4008190014643250 pc(s).	UL:	Box
CB1,6R14-12 SN I3,5	1429800000	PCB plug-in connector, Crimp contact, Reel packaged, Socket, tinned, Max. clamping range : 2.5 mm ²	40081901817104,000 pc(s).	UL:	Reel
CB1,6E26-24 AU,75 I1,4	1420900000	PCB plug-in connector, Crimp contact, Individual contact, Socket, Gold-plated, Max. clamping range : 0.25 mm ²	4008190041779250 pc(s).	UL:	Box
CB1,6E22-20 SN I1,8	1423900000	PCB plug-in connector, Crimp contact, Individual contact, Socket, tinned, Max. clamping range : 0.5 mm ²	4008190008659250 pc(s).	UL:	Box
CB1,6R14-12 SN I4,2	1582480000	PCB plug-in connector, Crimp contact, Reel packaged, Socket, tinned, Max. clamping range : 2.5 mm ²	40081900032893,000 pc(s).	UL:	Reel

OMNIMATE Signal - series RSV RSV1,6 B9 GR

Weidmüller Interface GmbH & Co. KG
 Klingenbergstraße 16
 D-32758 Detmold
 Germany
 Fon: +49 5231 1429-0
 Fax: +49 5231 14292083
 www.weidmueller.com

Accessories

Strain reliefs



For frequent load changes: the "trailer coupling" for plug-in connectors.

The strain relief can do more than just relieve the strain on conductors:

Simply clip onto the plug and

- bundle conductors
- guide cables
- use as a connection and disconnection aid

No damage to the connecting points, clear, tidy wiring and easy to handle.

User advantages: permanent heavy-duty connections for harsh industrial environments and convenient operation ensure improved system availability.

General ordering data

Type	Order No.	Version	GTIN (EAN)	Qty.	Product data	Packaging
RSV1,6 ZE09 BK BX	1563400000	PCB plug-in connector, Accessories, Strain relief, Black, No. of poles: 9	4008190085896	25 pc(s).	UL:	Box

Coding elements



Only connects what is supposed to be connected: the right connection at the right place.

Coding elements and locking devices clearly assign connecting elements during the manufacturing process and operation

The coding elements and locking devices are inserted prior to assembly or during the cable assembly phase.

The Weidmüller alternative: configure online using the variant configurator to precode prior to delivery.

Incorrect assembly on the circuit board and incorrect plugging of connecting elements is no longer possible.

The advantage: no troubleshooting during manufacture and no operational errors by the user.

General ordering data

Type	Order No.	Version	GTIN (EAN)	Qty.	Product data	Packaging
RSV1,6 KO	1567430000	PCB plug-in connector, Accessories, Coding element, Black, No. of poles: 1	4008190169756	50 pc(s).	UL:	Box