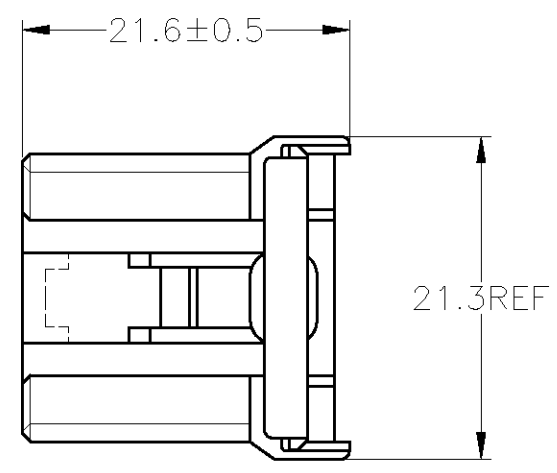
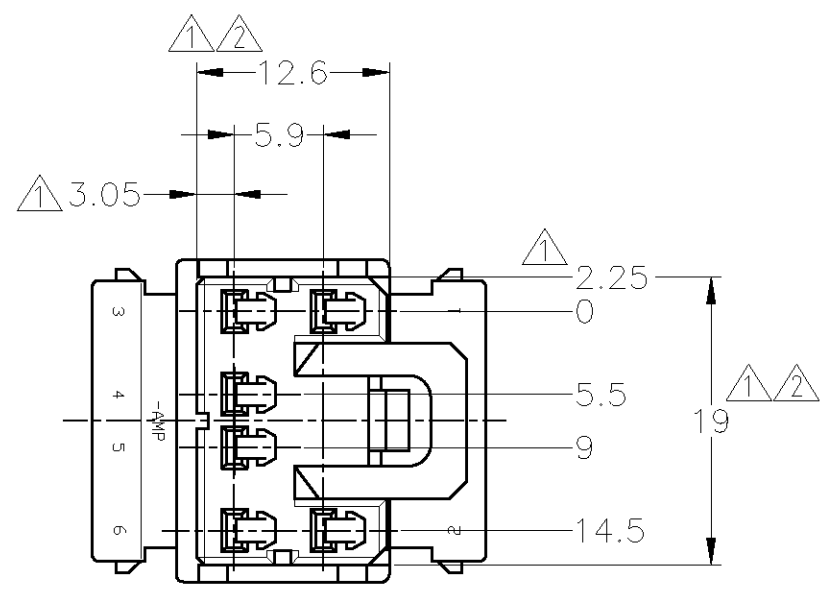


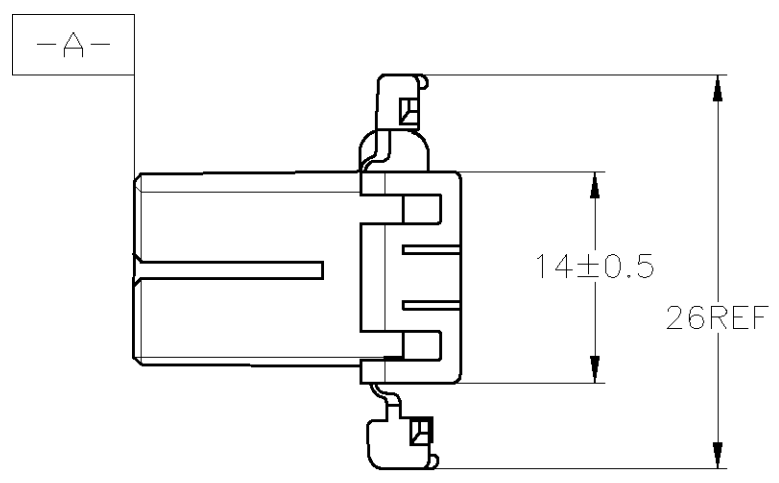
THIS DRAWING IS UNPUBLISHED. RELEASED FOR PUBLICATION
 © COPYRIGHT - By - ALL RIGHTS RESERVED.

LOC	DIST	REVISIONS					
J	-	P	LTR	DESCRIPTION	DATE	DWN	APVD
			A2	REDRAWN W/CHANGE	ECR-12-021403	13DEC2012	TS KB



- △ MUST BE KEPT BETWEEN [-A-] AND 2
- △ TO BE MATED WITH THE CAP HOUSING SMOOTHLY
- 3. APPLIED RECEPTACLE CONTACT PART NUMBER; 173630 AND 173631
- 4. APPLIED CAP HOUSING; 175657

- △ [-A-] 面より2mmの範囲で測定
- △ 相手ハウジングと所定の機能を満足して嵌合できること
- 3. 内装するリセプタクルコンタクト型番173630 及び 173631
- 4. 嵌合相手ハウジング型番; 175657



OBSOLETE	青 (BLUE)	175658-5
	緑 (GREEN)	175658-4
	自然色 (NATURAL)	175658-1
	色 (COLOR)	型番 (PART NUMBER)

TOLERANCES UNLESS OTHERWISE SPECIFIED:
一般公差

10 ₂	: ±0.2
30 ₂	> 10 : ±0.25
100 ₂	> 30 : ±0.3
ANGLE : ±3°	

THIS DRAWING IS A CONTROLLED DOCUMENT.

DIMENSIONS: 単位: 耗 mm	TOLERANCES UNLESS OTHERWISE SPECIFIED: 一般公差
	0 PLC ± -
	1 PLC ± -
	2 PLC ± -
	3 PLC ± -
	4 PLC ± -
	ANGLES ± -
MATERIAL 材料 PBT	FINISH 仕上 -

DWN	T.SHINOHARA	13DEC2012
CHK	K.BETSUI	13DEC2012
APVD	K.BUTSUI	13DEC2012
PRODUCT SPEC	製品規格	108-5264
APPLICATION SPEC	取付適用規格	-
WEIGHT	-	-

STE TE Connectivity			
070 SERIES MULTI-LOCK CONNECTOR 6POSITION PLUG HOUSING (DOUBLE ROW TYPE)			
SIZE	CAGE CODE	DRAWING NO 番号	RESTRICTED TO
A3	00779	C-175658	-
CUSTOMER DRAWING		SCALE 尺度 2:1	SHEET 1 OF 1
		REV A2	