

**TERMSERIES
ZQV 1.5N/R6.4/2 GE**

Weidmüller Interface GmbH & Co. KG
Klingenbergstraße 16
D-32758 Detmold
Germany
Fon: +49 5231 1429-0
Fax: +49 5231 14292083
www.weidmueller.com



TERMSERIES accessories include:

- Spare relay
- Base
- Partition plates
- Cross-connections
- Power-feed modules

General ordering data

Type	ZQV 1.5N/R6.4/2 GE
Order No.	1193670000
Version	TERMSERIES, Cross-connector
GTIN (EAN)	4032248976638
Qty.	10 pc(s).

Data sheet

**TERMSERIES
ZQV 1.5N/R6.4/2 GE**

Weidmüller Interface GmbH & Co. KG
 Klingenbergstraße 16
 D-32758 Detmold
 Germany
 Fon: +49 5231 1429-0
 Fax: +49 5231 14292083
 www.weidmueller.com

Technical data

Dimensions and weights

Width	10 mm	Width (inches)	0.394 inch
Height	13.1 mm	Height (inches)	0.516 inch
Depth	4.9 mm	Depth (inches)	0.193 inch
Net weight	1.75 g		

Temperatures

Operating temperature	-40 °C...60 °C	Storage temperature	-40 °C...85 °C
-----------------------	----------------	---------------------	----------------

Cross-connection data

Rated voltage	250 V	Rated current	17.5 A
Insulation	Yes	Electric shock protection	Yes
Colour	Yellow	No. of cross-connected terminals	2
Pitch in mm (P)	6.4 mm	Type of mounting	Plugged

General data

UL 94 flammability rating	V-0
---------------------------	-----

Insulation coordination

Rated voltage	250 V
---------------	-------

Connection data

Pitch in mm (P)	6.4 mm
-----------------	--------

Rated data UL

Rated current (UL)	10 A
--------------------	------

Classifications

ETIM 3.0	EC000489	ETIM 5.0	EC000489
ETIM 6.0	EC002586	eClass 6.2	27-14-11-40
eClass 7.1	27-37-92-08	eClass 8.1	27-37-92-08
eClass 9.0	27-37-16-92	eClass 9.1	27-37-16-92

Approvals

Approvals



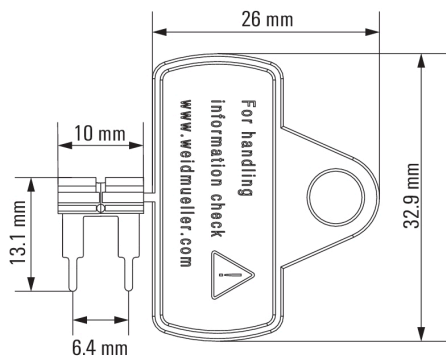
ROHS	Conform
------	---------

Downloads

Brochure/Catalogue	CAT 4.2 ELECTR 15/16 EN
Engineering Data	EPLAN_WSCAD
User Documentation	Operating Instructions

**TERMSERIES
ZQV 1.5N/R6.4/2 GE**

Weidmüller Interface GmbH & Co. KG
Klingenbergstraße 16
D-32758 Detmold
Germany
Fon: +49 5231 1429-0
Fax: +49 5231 14292083
www.weidmueller.com

Drawings**Dimensional drawing**

**TERMSERIES
ZQV 1.5N/R6.4/2 GE**

Weidmüller Interface GmbH & Co. KG
Klingenbergstraße 16
D-32758 Detmold
Germany
Fon: +49 5231 1429-0
Fax: +49 5231 14292083
www.weidmueller.com

Accessories**Cutting and notching tools for cross-connections**

- for Weidmüller Z-Series cross-connections
- for cross-connections from WQV 2.5 to WQV 35
- for cross-connection window of the terminal WSI 6

General ordering data

Type	Order No.	Version	GTIN (EAN)	Qty.
KT ZQV	9002170000	Cutting tool for one-hand operation	4032248291670	1 pc(s).
WAW 1 NEUTRAL	9004500000	Miscellaneous tools	4008190053925	1 pc(s).