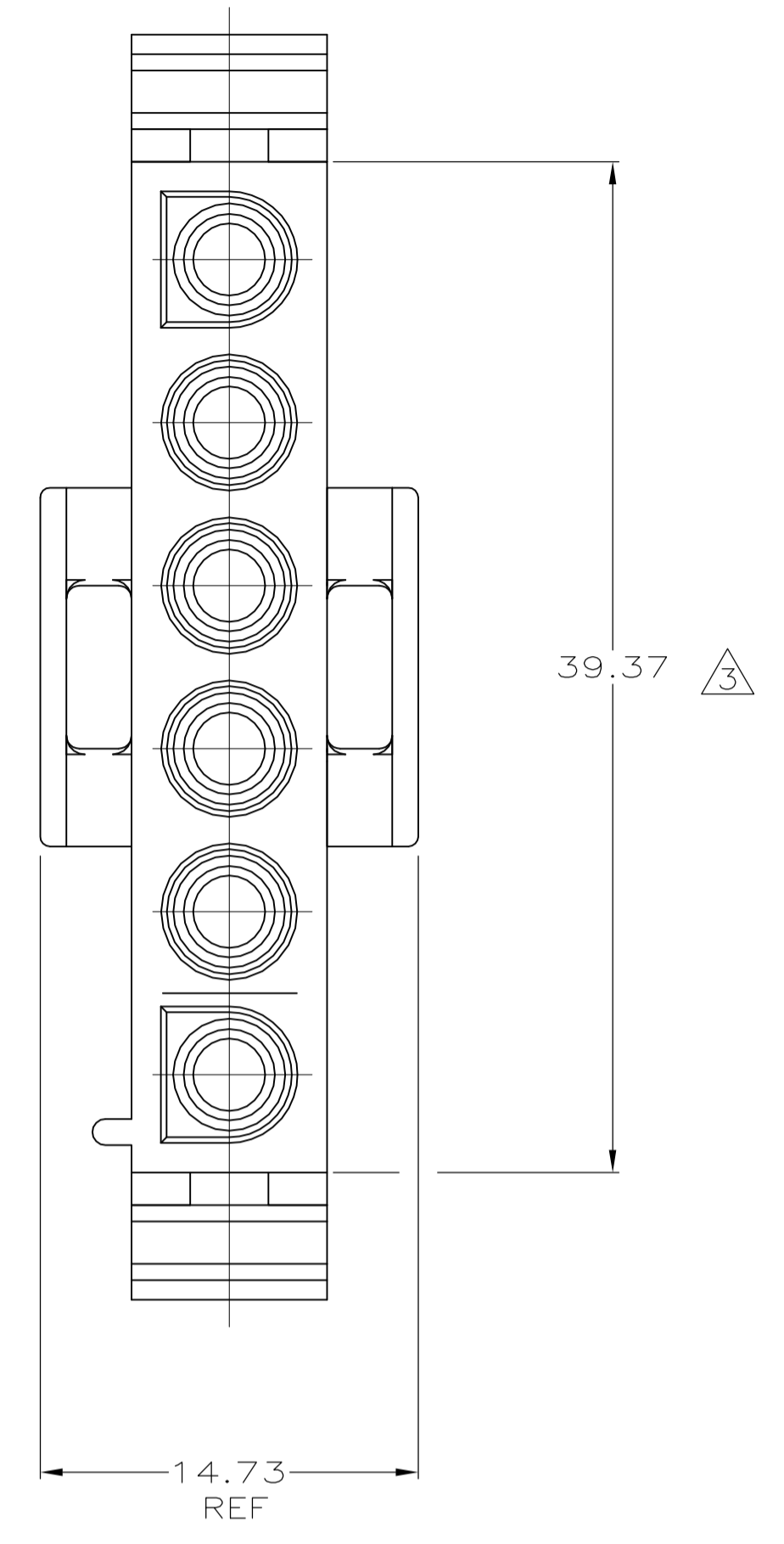
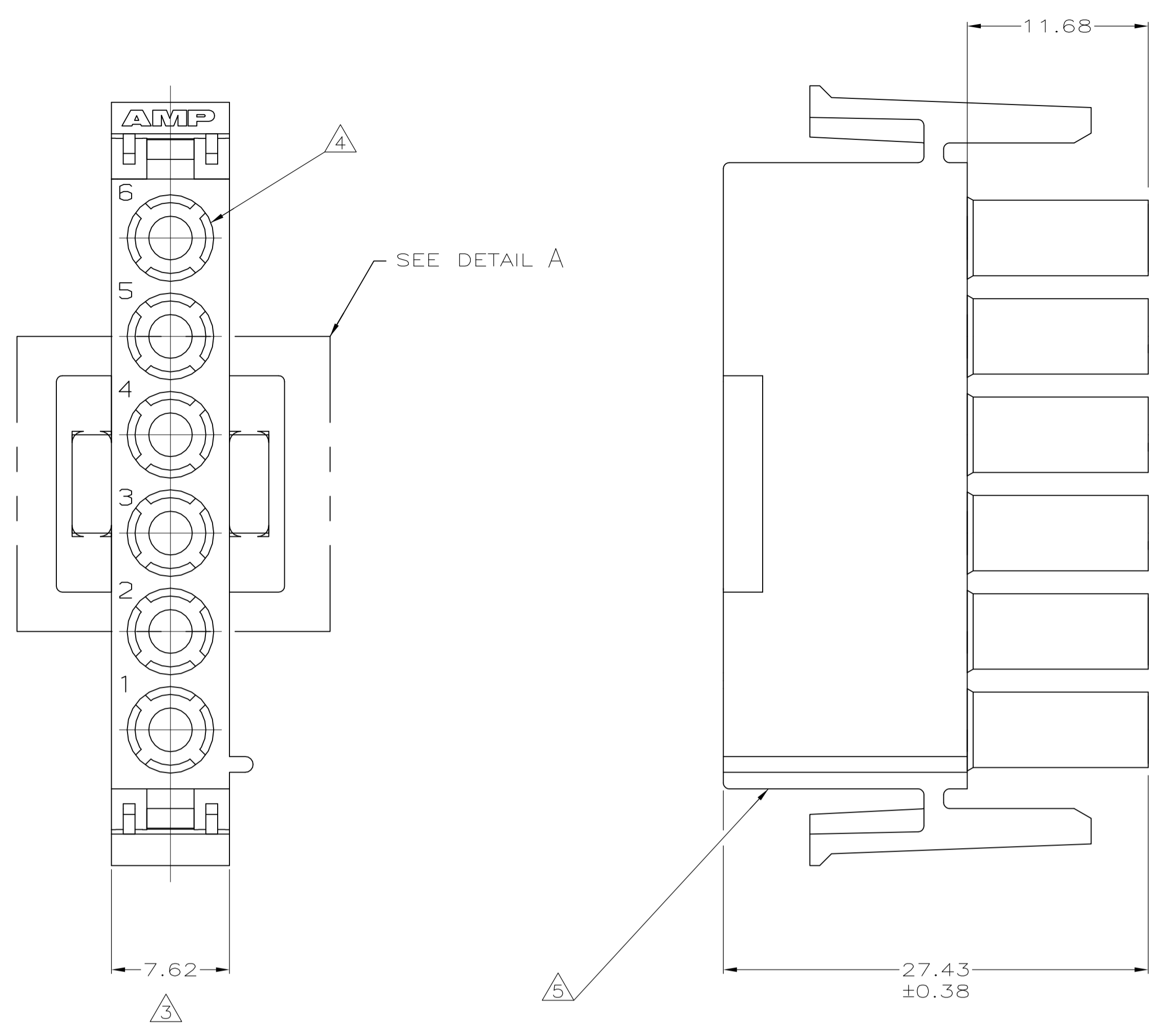
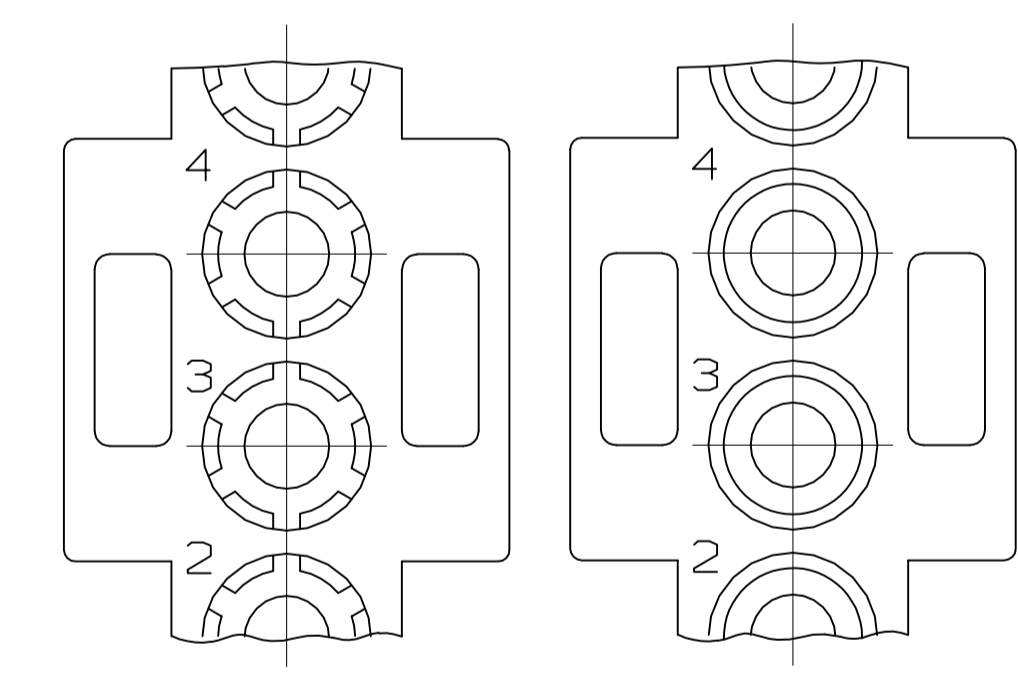
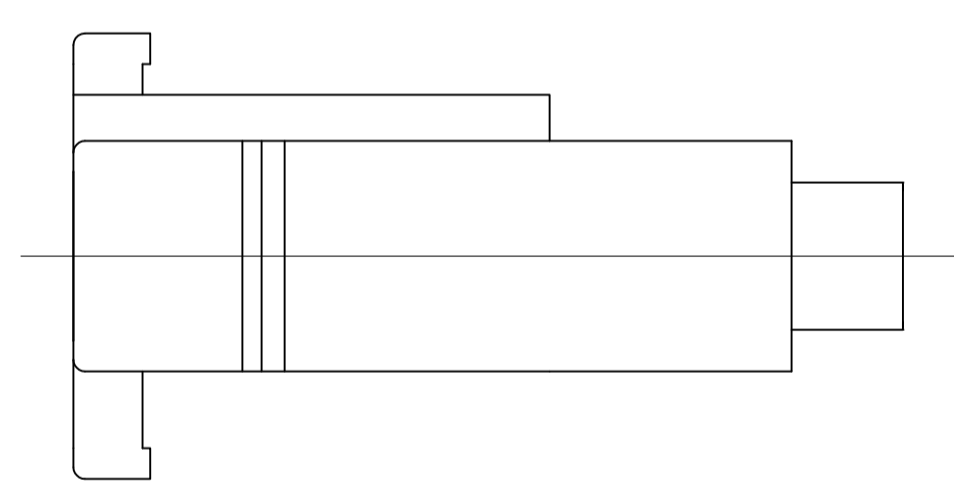


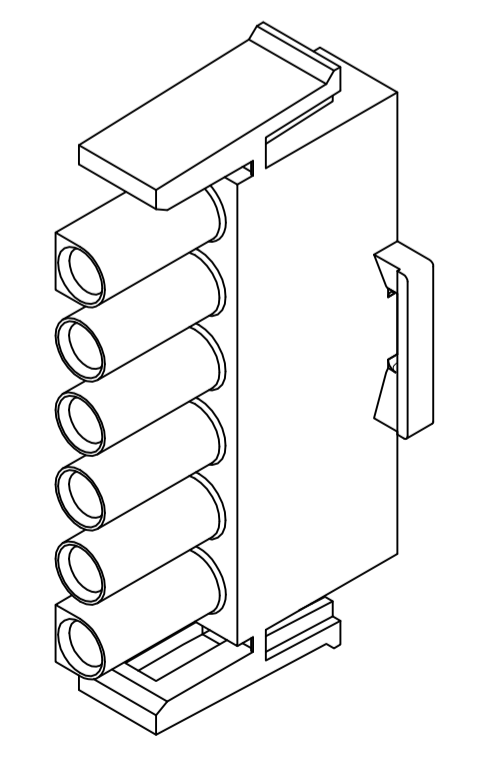
LOC	DIST	REVISIONS				
CM	0	REV	DESCRIPTION	DATE	BY	APPV
		T3	REVISED PER ECO-11-004587	11MAR11	RK	HMR
		T4	REVISED PER ECR-14-005051	04APR14	AV	KD
		T5	REVISED PER ECR-14-010097	10JUL14	AV	KD



- MATES WITH APPROPRIATE UNIVERSAL MATE-N-LOK™ CAP OR HEADER.
- SMALL NICKS ARE PERMITTED ON THE CIRCUIT TOWERS WHICH COULD INCREASE THE INITIAL HOUSING MATING FORCE BY UP TO 4.4 NEWTONS [1.0 LBS]. NO INDIVIDUAL NICKED TOWER SHALL INCREASE THIS FORCE BY OVER 2.2 NEWTONS [.5 LBS].
- DIMENSION INDICATED IS AS MOLDED. ADDITIONAL GROWTH DUE TO SUBSEQUENT MOISTURE ABSORPTION MAY OCCUR.
- FOUR RIBS EQUALLY SPACED, NO SPECIFIC ORIENTATION. NO RIBS OR SIX RIBS EQUALLY SPACED, NO SPECIFIC ORIENTATION, OPTIONAL.
- UNDERWRITERS RECOGNIZED COMPONENT LOGO AND CSA CERTIFICATION LOGO TO BE LOCATED ONCE EACH ON SIDE OF HOUSING.
- MATERIAL CORRESPONDING TO THE REQUIREMENT OF IEC60335-1 (INCL. GWT 750°C WITHOUT FLAME)
- PRELIMINARY PART NOT RELEASED FOR PRODUCTION.



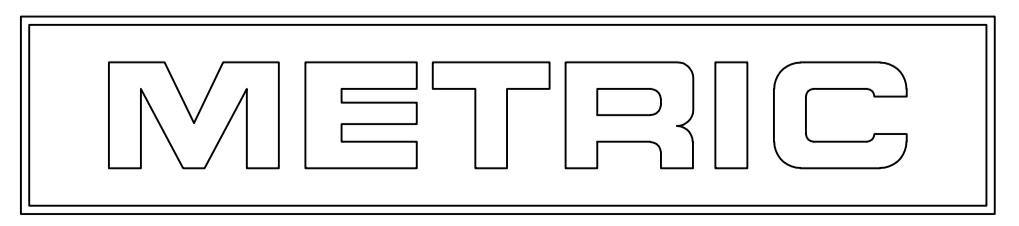
DETAIL A
OPTIONAL CONSTRUCTIONS



3-DIMENSIONAL MODEL

MM	IN
39.37	1.550
27.43	1.080
14.73	.580
11.68	.460
7.62	.300
0.38	.015
0.13	.005
MM	IN

CONVERSION TABLE



MATERIAL	COLOR	PART NUMBER
PA66,UL 94V-0	NATURAL	640581-2
PA66,UL 94V-0	BLUE	1-640581-6
PA66,UL 94V-0	RED	1-640581-2
PA66,UL 94V-0	NATURAL (WHITE)	640581-1

THIS DRAWING IS A CONTROLLED DOCUMENT.

APPROVED: **STE** TE Connectivity

PLUG, 6 CIRCUIT, UNIVERSAL MATE-N-LOK(TM)

SIZE: A1 CAGE CODE: 00779 DRAWING NO: 640581

WEIGHT: ---

CUSTOMER DRAWING SCALE: 4:1 SHEET: 1 OF 1 REV: T5

Mouser Electronics

Authorized Distributor

Click to View Pricing, Inventory, Delivery & Lifecycle Information:

[TE Connectivity:](#)

[1-640581-6](#)