

4

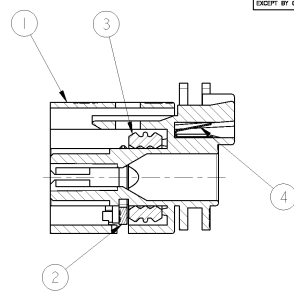
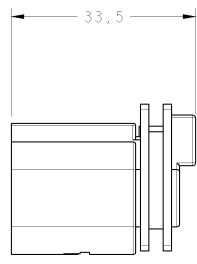
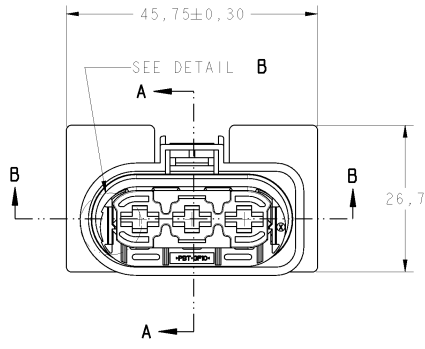
3

2

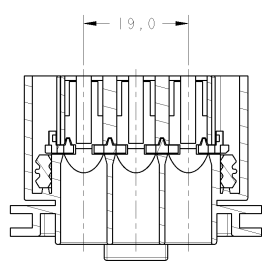
1

THIS DRAWING IS UNPUBLISHED. RELEASED FOR PUBLICATION BY TYCO ELECTRONICS CORPORATION. ALL RIGHTS RESERVED.

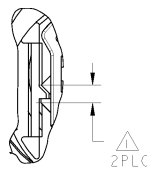
LOC	QTY	REV	DESCRIPTION	DATE	BY	APPD
AP	-	-	RELEASED BY RSA10/001-69	10MAY2010	EL	CGM



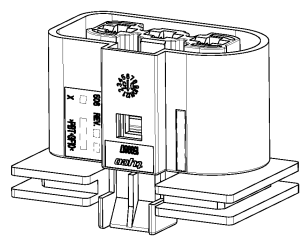
SECTION A-A



SECTION B-B



DETAIL B SCALE 5:1



PERSPECTIVE VIEW SCALE 2:1

△-FORNECIDO COMO MOSTRADO NA POSIÇÃO DE PRE-TRAVAMENTO;

2- EMBALADO A GRANEL

△-SHOW AS SUPPLIED, RETAINER IN PRE-LOCKED;

2- BULK PACKAGED.

ITEM	DESCRIPTION	MATERIAL	FINISH
4	SPRING	X 12 CrNi 177	—
3	CONNECTOR SEAL, 3 POSN, STD P TIMER	SILICONE	LARANJA/ORANGE
2	SPACER, 3 POSN, STD P TIMER, RCPT	PBT+103GF	VIOLETA/VIOLET
1	HOUSING, 3 POSN, STD P TIMER, RCPT	PBT+103GF	PRETO/BLACK

REQ. PER ASSY	1	ITEM	DESCRIPTION	MATERIAL	FINISH
1599616	1	1	HOUSING, 3 POSN, STD P TIMER, RCPT	PBT+103GF	PRETO/BLACK

DESIGNER	DATE	APPD	REV
J. R. GOLDSCHMIDT	12MAY2010	EL	1

TYCO ELECTRONICS do Brasil LTDA.	Sao Paulo, Brasil
HOUSING, 3 POSN	STD POWER TIMER, RCPT

SCALE	2:1	SHEET	1	OF	1	REV	A
-------	-----	-------	---	----	---	-----	---