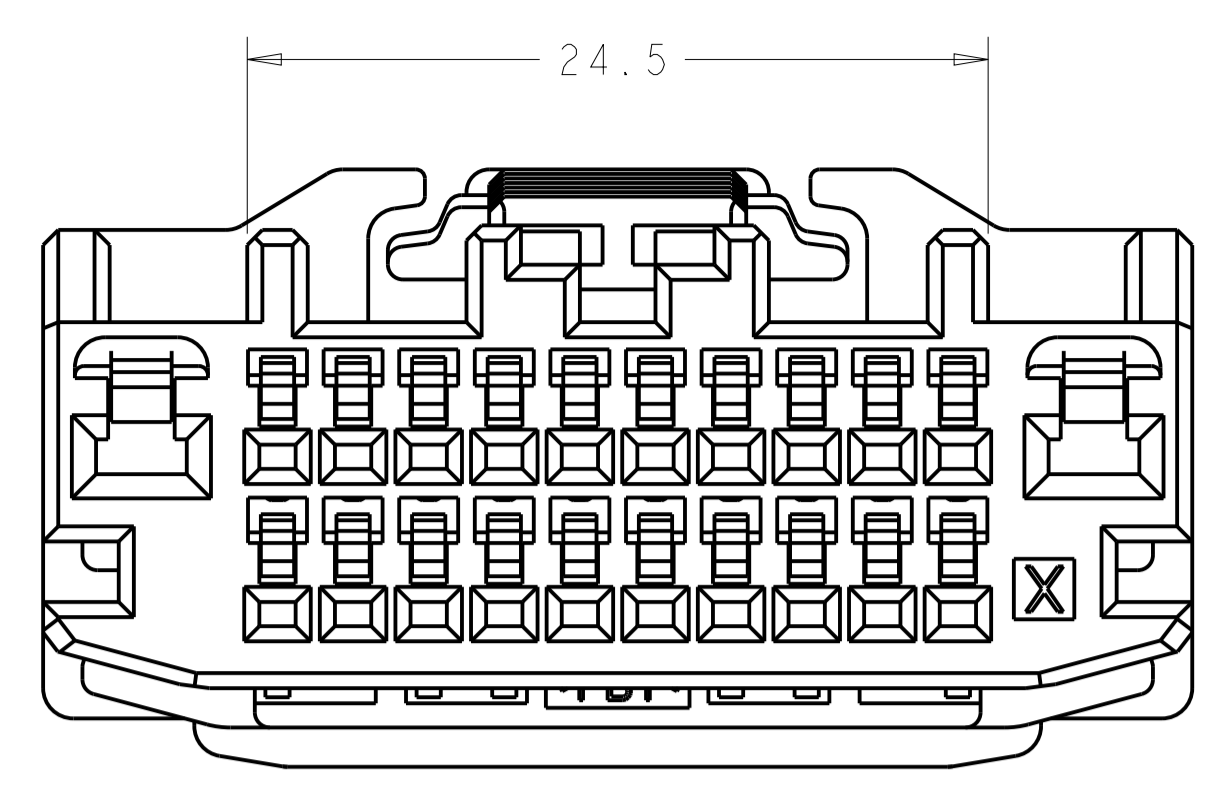
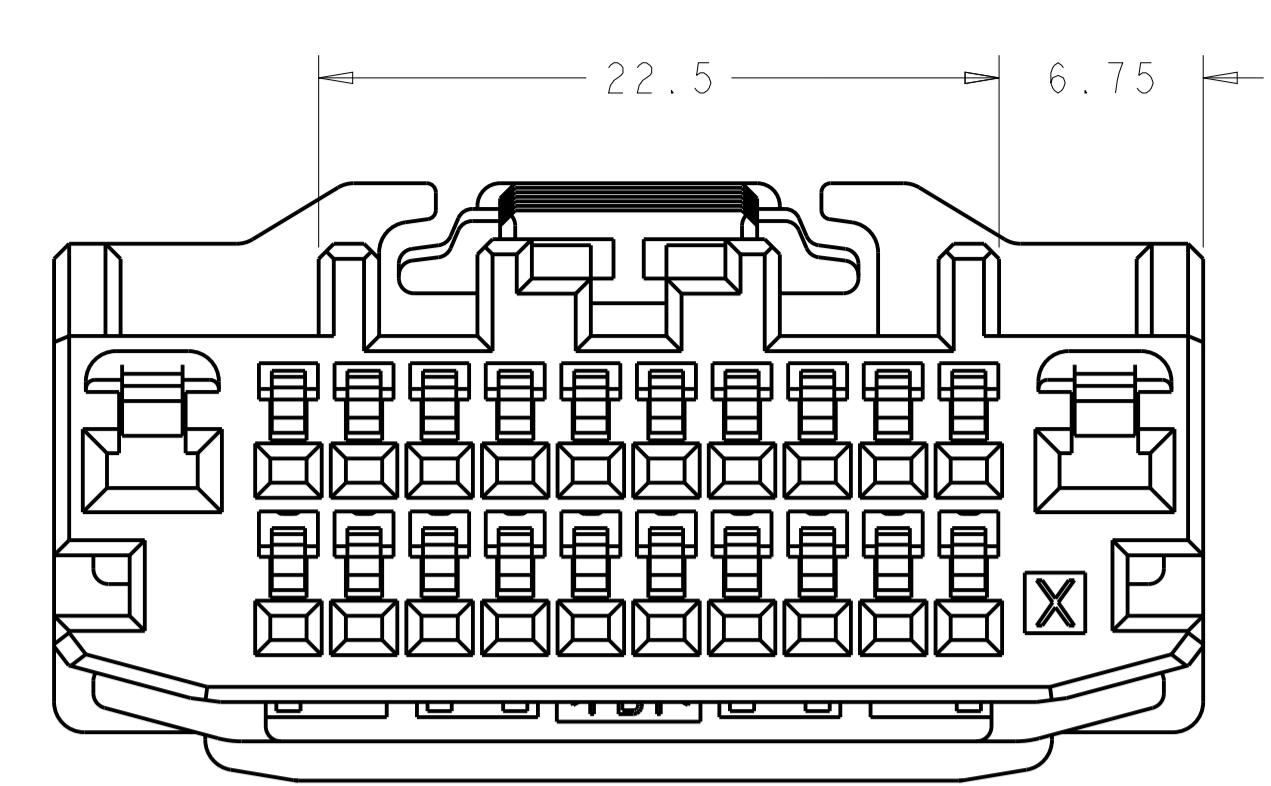


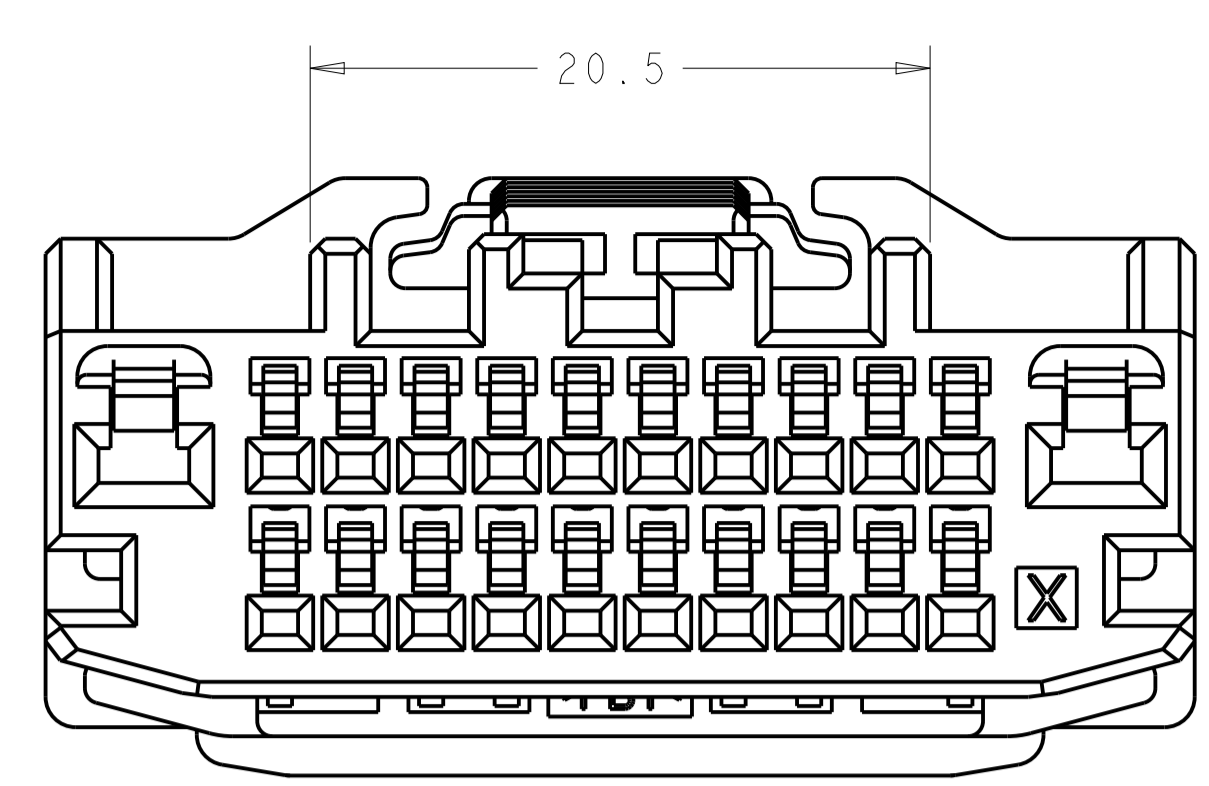
| REVISIONS |     |                           |           |       |
|-----------|-----|---------------------------|-----------|-------|
| P.        | LTM | DESCRIPTION               | DATE      | APVD  |
| E         |     | REVISED PER ECO-14-00xxxx | 24JAN2014 | DD SA |



1438759-1  
KEY "B"  
WHITE

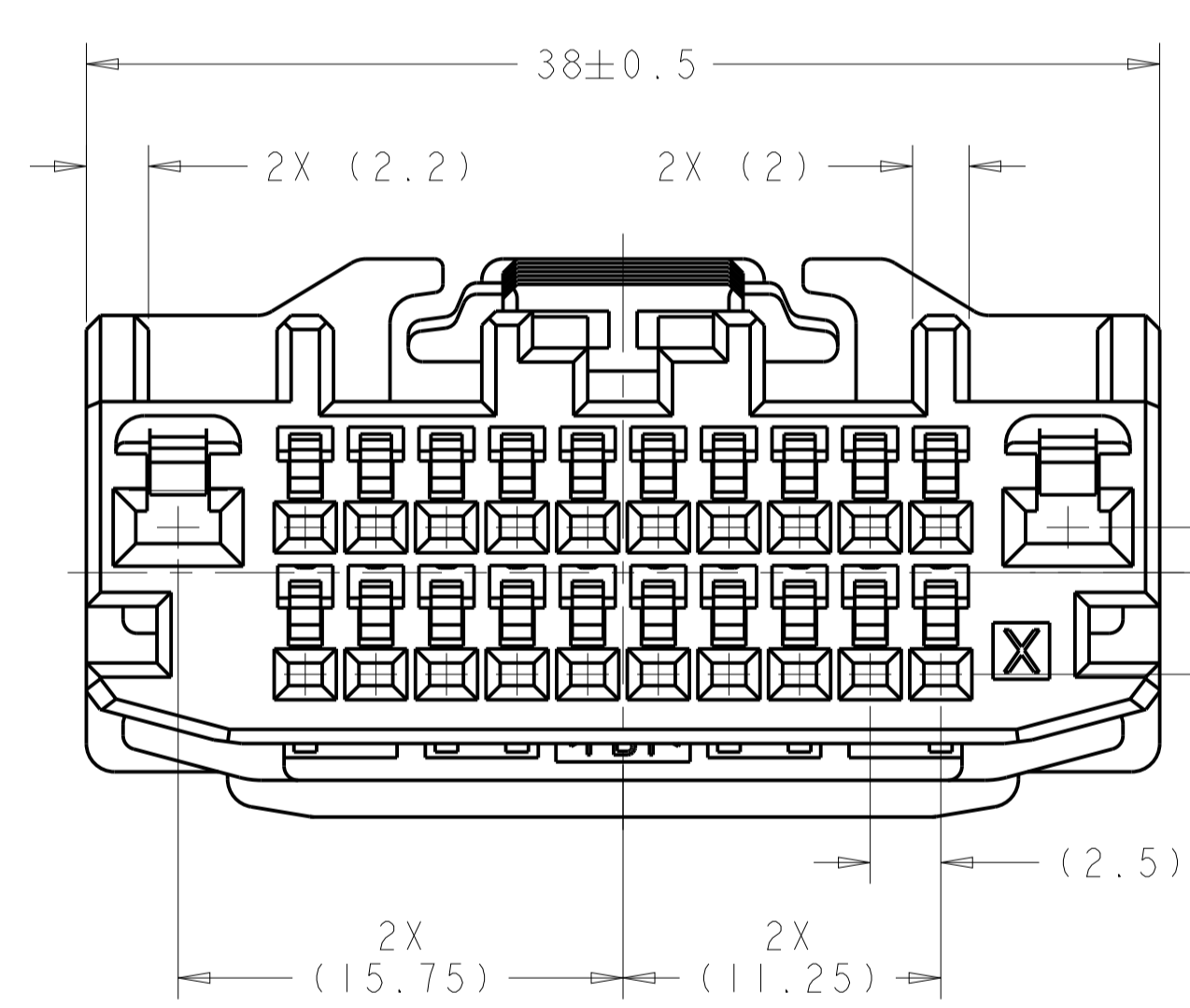


1438759-2  
KEY "C"  
BLACK

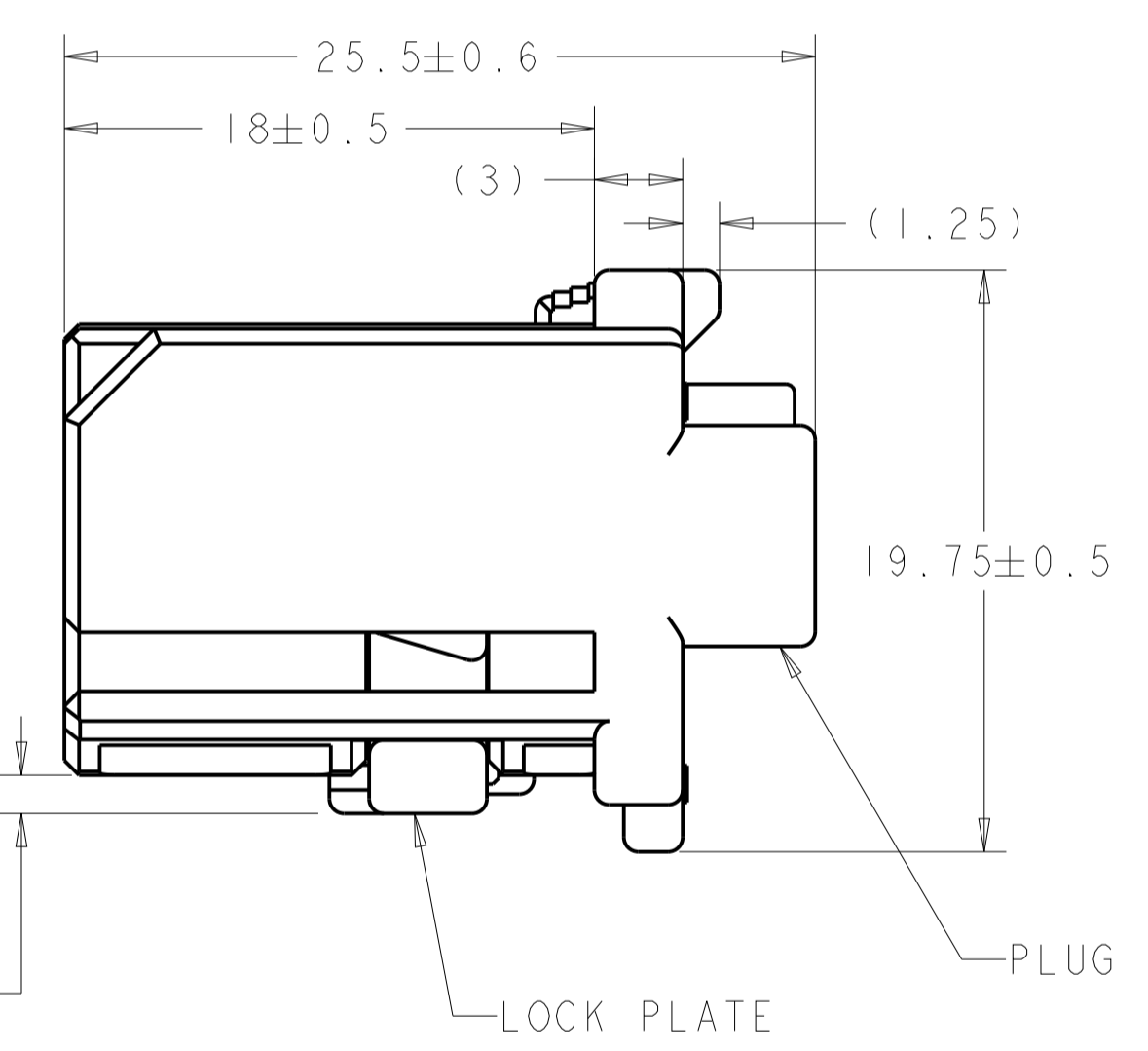


1438761-6  
KEY "A"  
GRAY

- APPLIED CONTACT PART NUMBERS:  
175265 TIN PLATING, 040 CONTACT  
175266 SELECT GOLD PLATING, 040 CONTACT  
1326030 TIN PLATING, 2.8 CONTACT
- LOCK PLATE SHOWN IN THE SHIPPING POSITION.
- VISUAL BLEMISHES MAY BE PRESENT ON EXTERNAL SURFACES DUE TO BULK PACKAGING METHODS. THESE BLEMISHES THAT DO NOT AFFECT CONNECTOR FORM, FIT, OR FUNCTION ARE CONSIDERED ACCEPTABLE.
- LOCK PLATE COMPONENT FORCES:  
INSERTION FORCE (SEATING): 75N MAX.  
REMOVAL FROM PLUG HOUSING: 15N MIN.

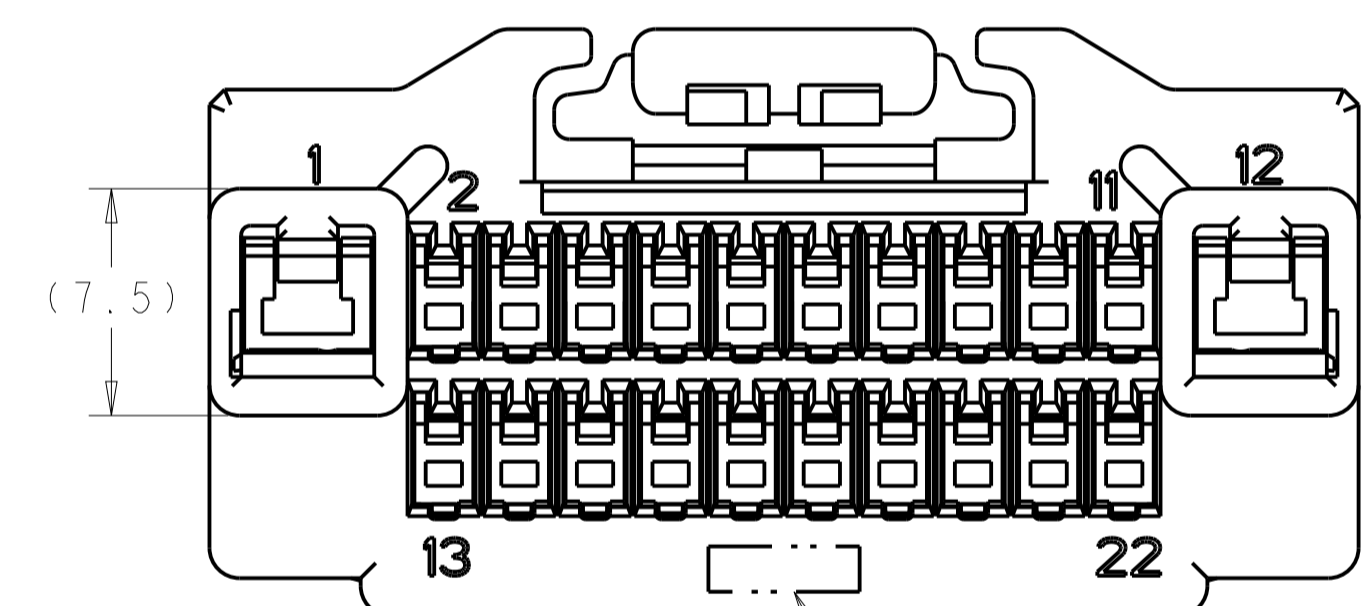


1.3±0.4  
LOCK PLATE TRAVEL

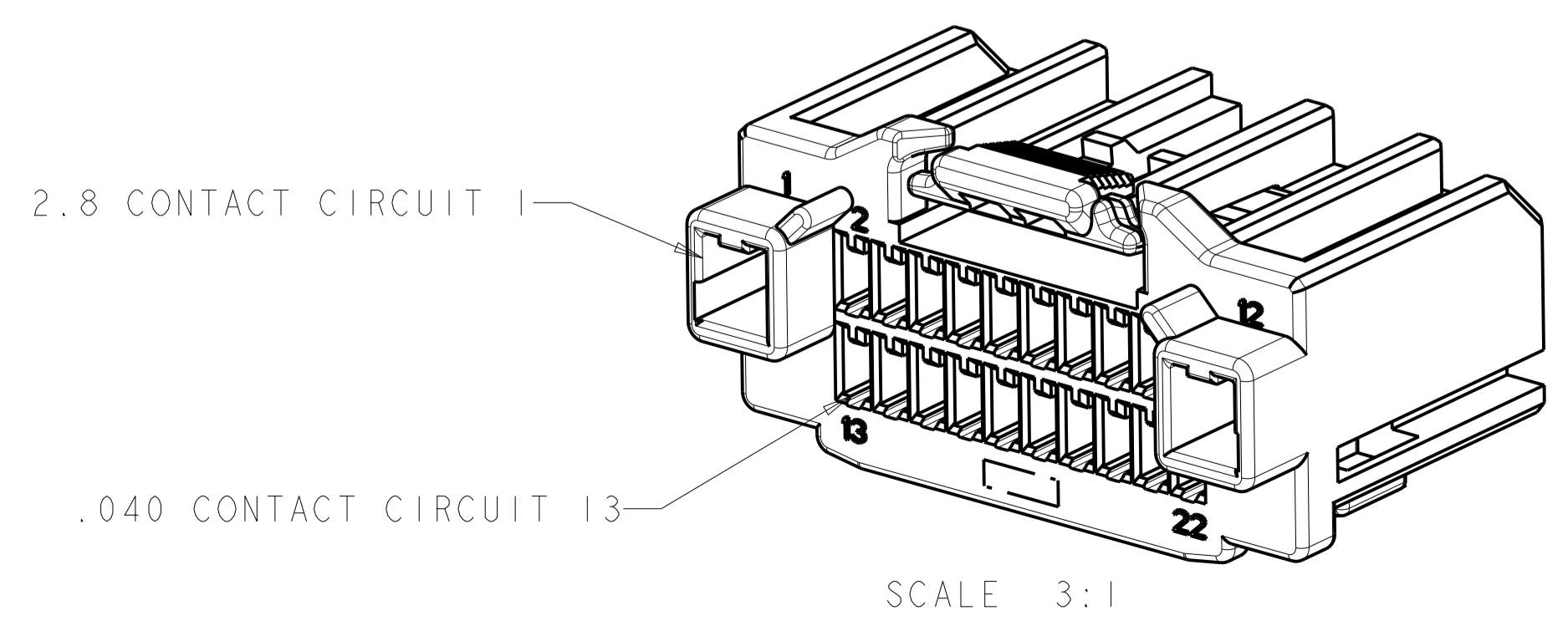


LOCK PLATE

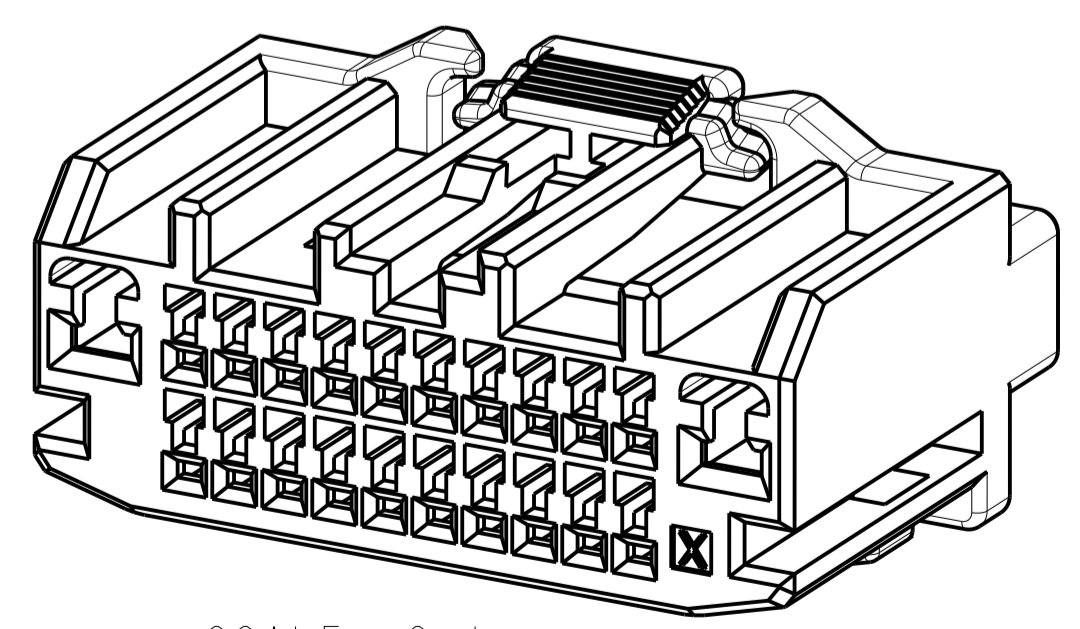
PLUG HOUSING



COMPANY LOGO



SCALE 3:1



SCALE 3:1

-KEY "B" SHOWN-

|       |     |             |
|-------|-----|-------------|
| GRAY  | A   | 1438761-6   |
| BLACK | C   | 1438759-2   |
| WHITE | B   | 1438759-1   |
| COLOR | KEY | PART NUMBER |

|  |  |  |  |
|--|--|--|--|
| THIS DRAWING IS A CONTROLLED DOCUMENT.                                 |  | OWN: M. HITCHCOCK 16SEP2004  |  |
| DIMENSIONS: mm   |  | CHK: G. MARTIN 16SEP2004   |  |
| TOLERANCES UNLESS OTHERWISE SPECIFIED:                                 |  | APVD: T. MEHAFFEY 16SEP2004  |  |
| 0 PLC ±<br>1 PLC ±0.3<br>2 PLC ±0.1<br>3 PLC ±<br>4 PLC ±<br>ANGLES ±° |  | PRODUCT SPEC: 108-2217<br>APPLICATION SPEC: 114-13158<br>WEIGHT: -<br>Customer Drawing |  |
| MATERIAL: PBT  |  | SIZE: A100779  | NAME: PLUG ASSEMBLY, 22-WAY HYBRID 040/2.8<br>CAGE CODE: -<br>DRAWING NO: 1438759<br>SCALE: 4:1 SHEET 1 OF 1 REV E |