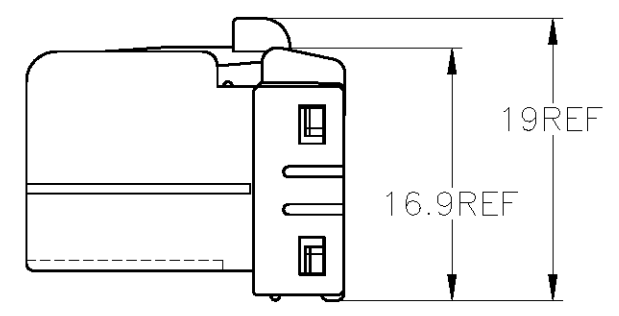
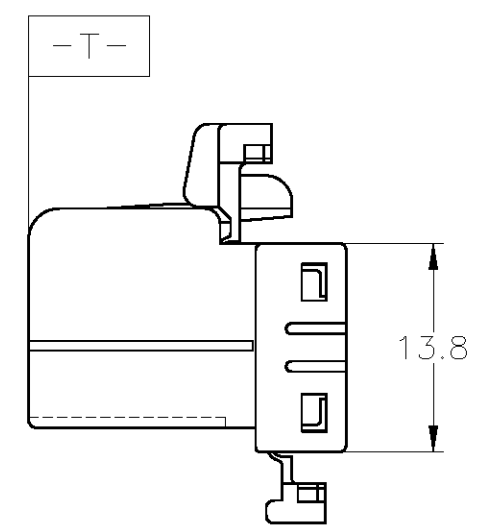
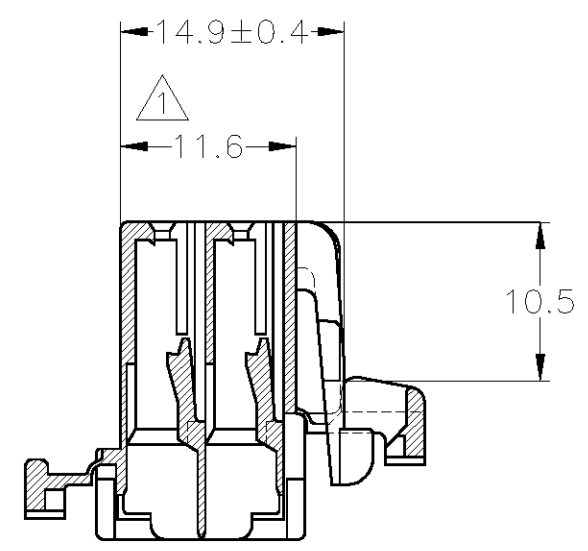
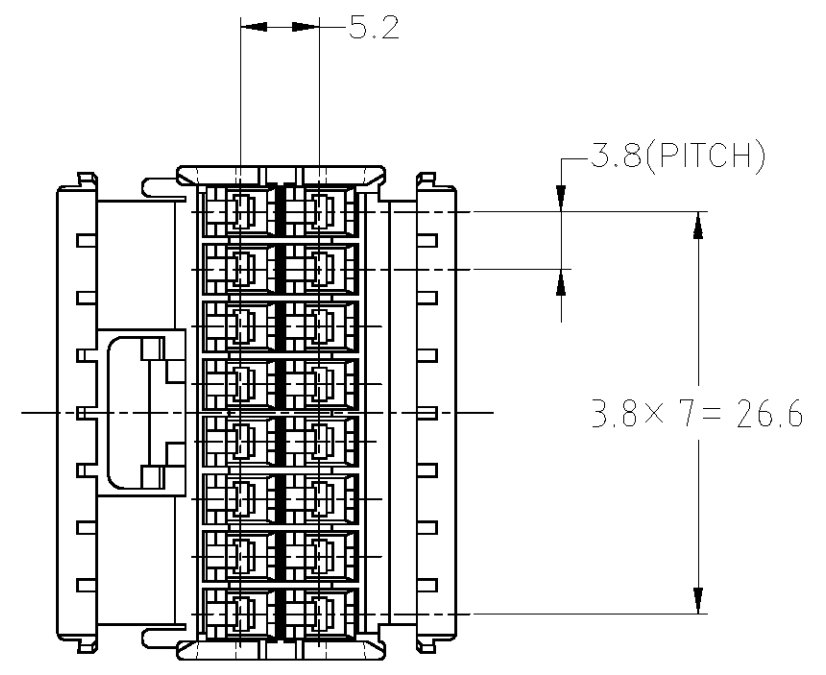
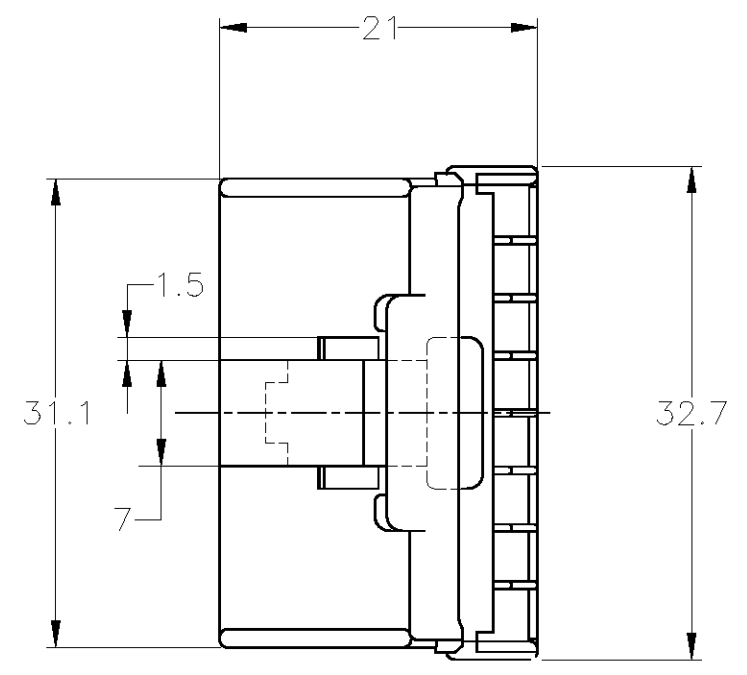
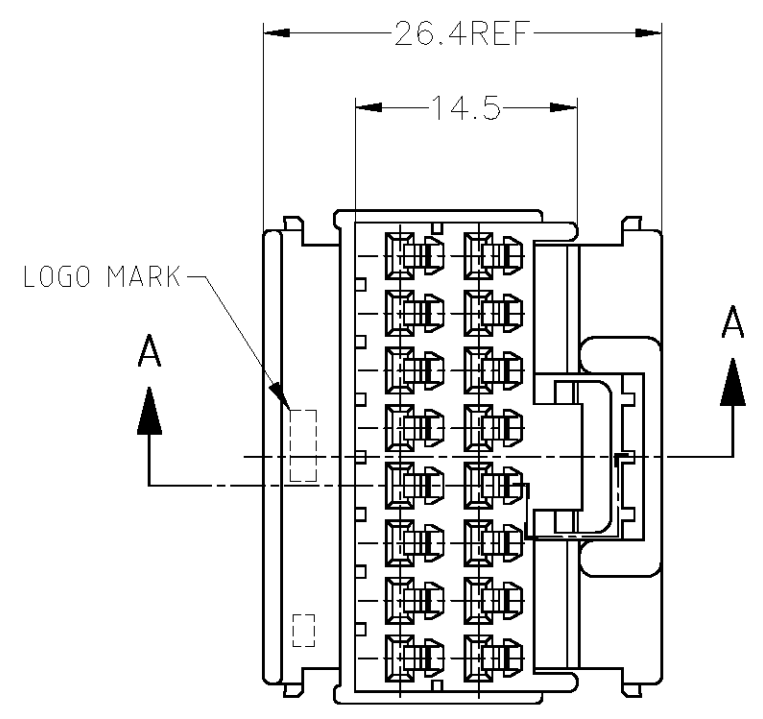


THIS DRAWING IS UNPUBLISHED. RELEASED FOR PUBLICATION  
 © COPYRIGHT - By - ALL RIGHTS RESERVED.

LOC	DIST	REVISIONS					
		P	LTR	DESCRIPTION	DATE	DWN	APVD
J	-	B1	REVISED	ECR-13-018510	07JAN2014	TS	KB




二重ロック時  
DOUBLE LOCKED

BLACK	174147-2
COLOR	PART NUMBER

- ①. [-T-] 面より2mmの範囲で測定。
- 2. 内装するコンタクト型番：173708, 175221
- 3. 嵌合相手ハウジング型番：174149

- ①. TO BE MEASURED WITHIN 2mm FRPM [-T-]
- 2. APPLIED CONTACT PART NUMBER: 173708, 175221
- 3. THE MATING CAP HOUSING NUMBER: 174149

TOLERANCE UNLESS OTHERWISE SPECIFIED	
一般公差	
10 ≥	: ± 0.2
30 ≥ > 10	: ± 0.25
100 ≥ > 30	: ± 0.3
ANGLE	: ± 3°

THIS DRAWING IS A CONTROLLED DOCUMENT.		DWN S.FUJITA 14NOV08	 TE Connectivity NAME 16 POSITION 070 PLUG HOUSING 040/070 COMBI TYPE MULTILOCK CONNECTOR											
DIMENSIONS: mm		CHK K.BETSUI 14NOV08												
TOLERANCES UNLESS OTHERWISE SPECIFIED:		APVD K.BETSUI 14NOV08												
<table border="1"> <tr><td>0 PLC</td><td>± -</td></tr> <tr><td>1 PLC</td><td>± -</td></tr> <tr><td>2 PLC</td><td>± -</td></tr> <tr><td>3 PLC</td><td>± -</td></tr> <tr><td>4 PLC</td><td>± -</td></tr> <tr><td>ANGLES</td><td>± -</td></tr> </table>		0 PLC				± -	1 PLC	± -	2 PLC	± -	3 PLC	± -	4 PLC	± -
0 PLC	± -													
1 PLC	± -													
2 PLC	± -													
3 PLC	± -													
4 PLC	± -													
ANGLES	± -													
MATERIAL PBT	FINISH -	APPLICATION SPEC 114-5109, -5156	SIZE A3	CAGE CODE 00779	DRAWING NO C-174147	RESTRICTED TO -								
CUSTOMER DRAWING			WEIGHT 5.6g	SCALE 2:1	SHEET 1 OF 1	REV B1								