

+85°C Low Profile Radial Lead Aluminum Electrolytic Capacitors



Part Number: 107RSS025M

[Detailed Specifications](#)

[General Specifications \(PDF\)](#)

[Special Order Options](#)

[RSS document \(PDF\)](#)



This part is RoHS compliant

Electrical Specifications

Capacitance:

100 uF

Tolerance:

-20 %, +20 %

Temperature Range:

-40°C to +85°C

Dissipation Factor:

0.15 at 120 Hz

WVDC: 25 volts DC

SVDC: 32 volts DC

ESR:

2.487 Ohms at 120 Hz and 20°C

Ripple Current:

135 mA at 120 Hz and 85°C

Impedance:

Impedance Ratios:

-25°C/20°C - 2

-40°C/20°C - 4

Leakage Current:

.01CV or 3uA, whichever is greater
756.0 uA after 2 Minutes

Load Life:

2000 Hours at 85°C with 100% of rated voltage and with 0% of rated ripple current

Frequency Multipliers

50 Hz 120 Hz 400 Hz 1 KHz 10 KHz 100 KHz

0.8 1 1.23 1.32 1.5 1.5

Temperature Multipliers

45°C 60°C 65°C 70°C 75°C 85°C 105°C 125°C

1.8 1.5 1.5 1.3 1.3 1 0 0

Physical Specifications

Diameter (D):

8 mm +0.5 mm

Length (L):

9 mm + 1 mm

Lead Wire Diameter (d):

0.6 mm + 0.05 mm

Lead Spacing:

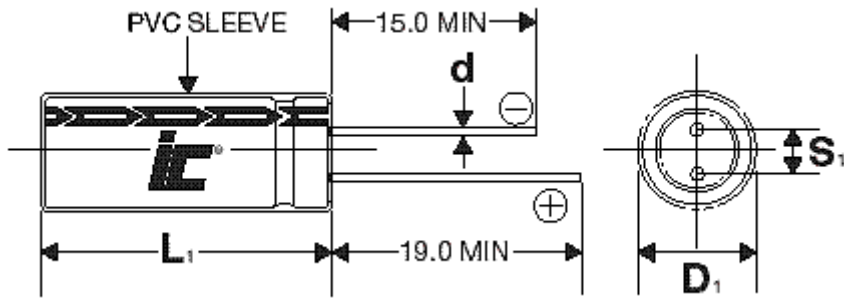
3.5 mm +/- 0.5 mm

Lead Length:

15 mm

Coating:

YELLOW PVC Sleeving



 **Add To Sample Cart**
(You can always remove it later)