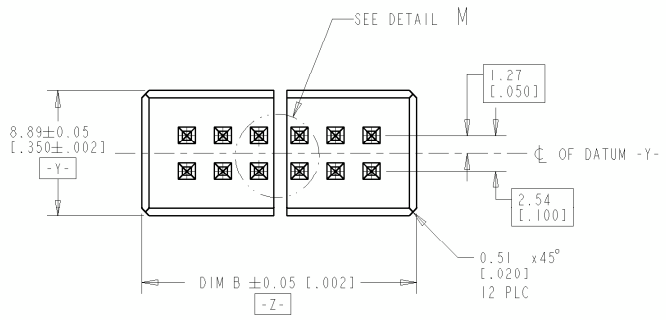
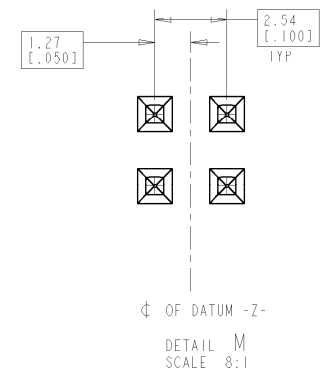
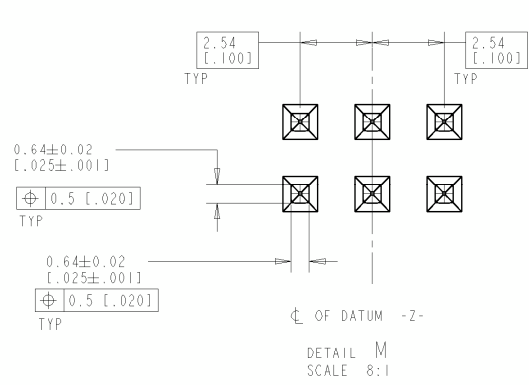
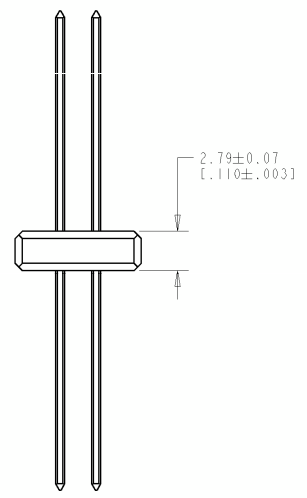
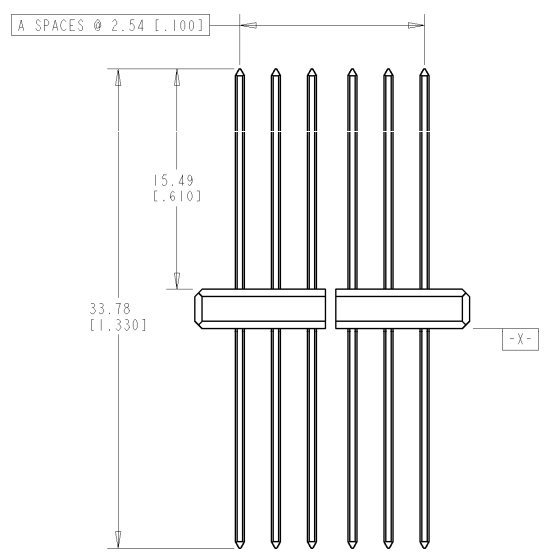


LOC	DIST	REVISIONS			
P	LTR	DESCRIPTION	DATE	DWN	APVD
		A1	REVISED PER ECO-14-014230	19SEP2014	NK MM



- 1 MATERIAL: HOUSING - PBT. COLOR-BLACK. POST: PHOSPHOR BRONZE.
- 2 FINISH: 0.00381 [1.000015] MIN GOLD ON CONTACT AREA ALL OVER 0.00127 [0.000050] MIN NICKEL ON ENTIRE POST.
- 3 FINISH: 0.0076 [0.000030] MIN GOLD ON CONTACT AREA ALL OVER 0.00127 [0.000050] MIN NICKEL ON ENTIRE POST.
- 4 PRELIMINARY-NOT RELEASED FOR PRODUCTION



BASIC DIMENSIONS FOR EVEN NUMBER OF SPACES (SEE TABLE)

BASIC DIMENSIONS FOR ODD NUMBER OF SPACES (SEE TABLE)

FINISH	B	A	POSTN	PART NUMBER
1	24.13 [0.950]	7	16	147250-5
2	24.13 [0.950]	7	16	147250-4
3	21.59 [0.850]	6	14	147250-3
4	19.05 [0.750]	5	12	147250-2
	11.43 [0.450]	2	6	147250-1

THIS DRAWING IS A CONTROLLED DOCUMENT FOR AMP INCORPORATED. IT IS SUBJECT TO CHANGE AND THE CONTROLLING ENGINEERING ORGANIZATION SHOULD BE CONTACTED FOR THE LATEST REVISION.

DWG: B. HAYMAKER 11FEB99
 CHK: J. GEFORD 11FEB99
 APVD: S. ROLASH 11FEB99

STE TE Connectivity

NAME: HEADER ASSEMBLY, VERTICAL, DOUBLE ROW, MOD II, AMPMODU

SHEET: A2 CASE CODE: 00779 DRAWING NO: C-147250 RESTRICTED TO: -

CUSTOMER DRAWING SCALE: 4 OF REV: A1