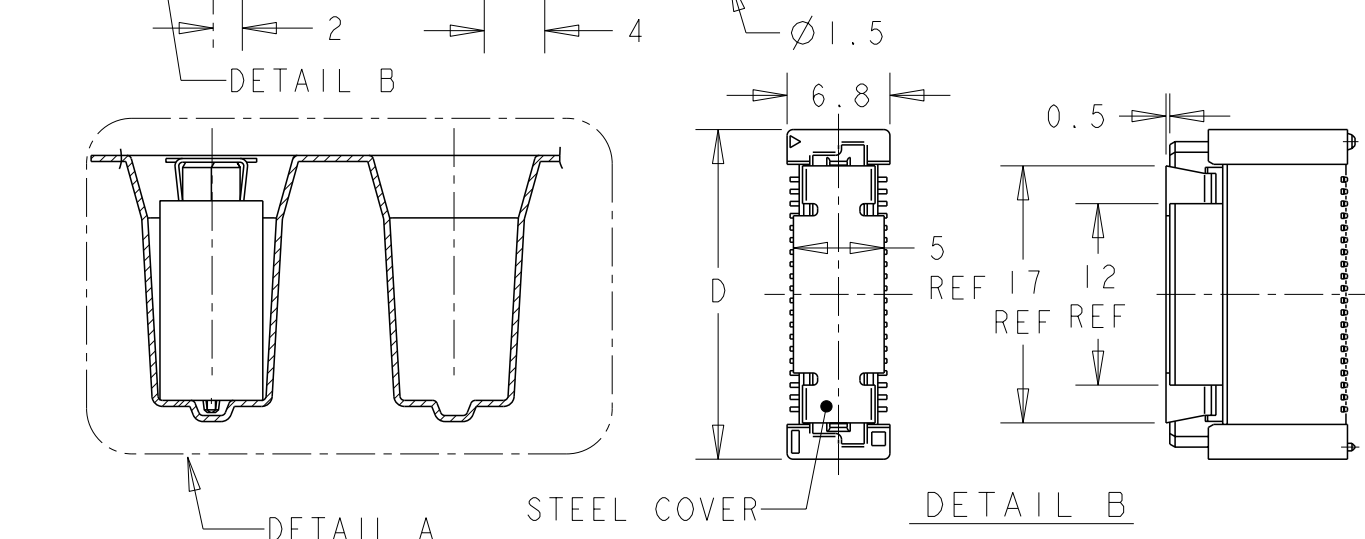
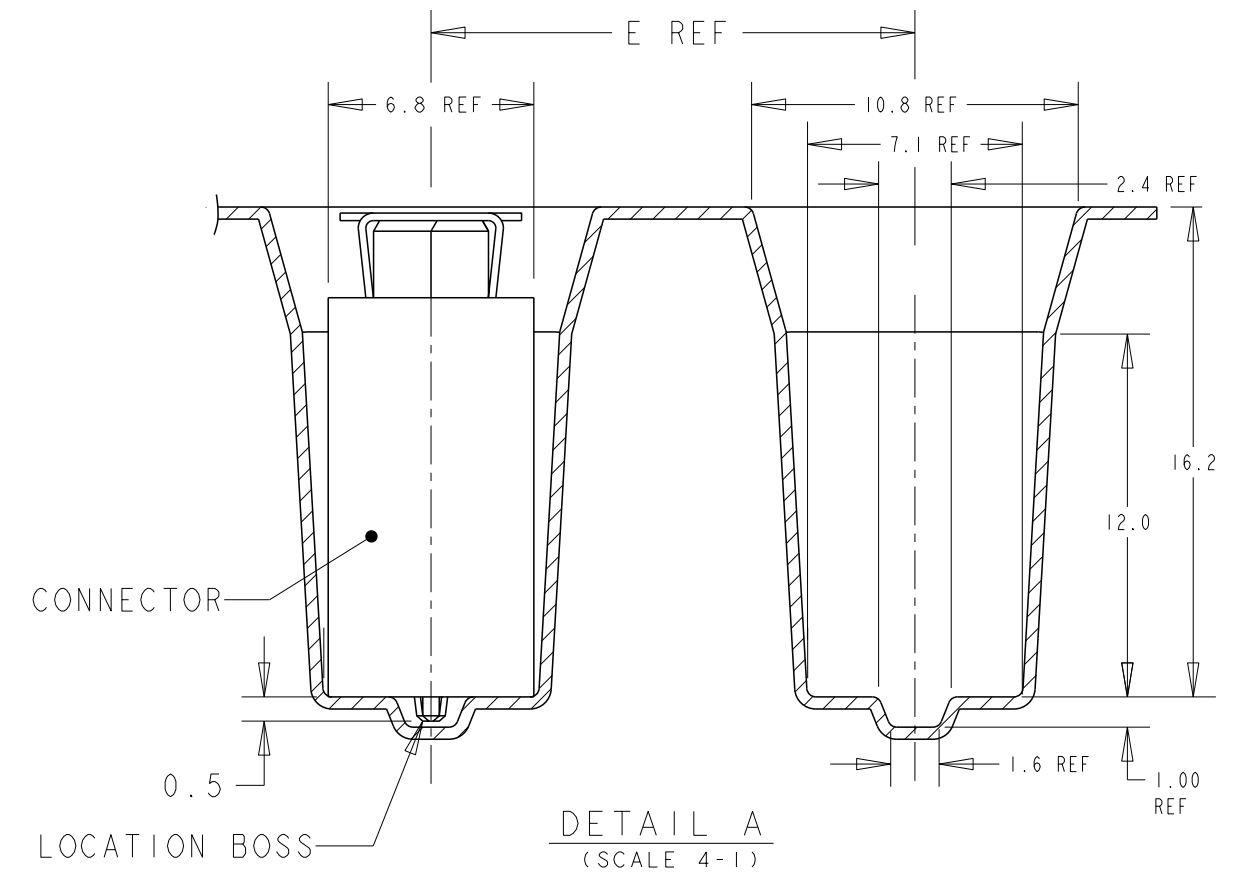
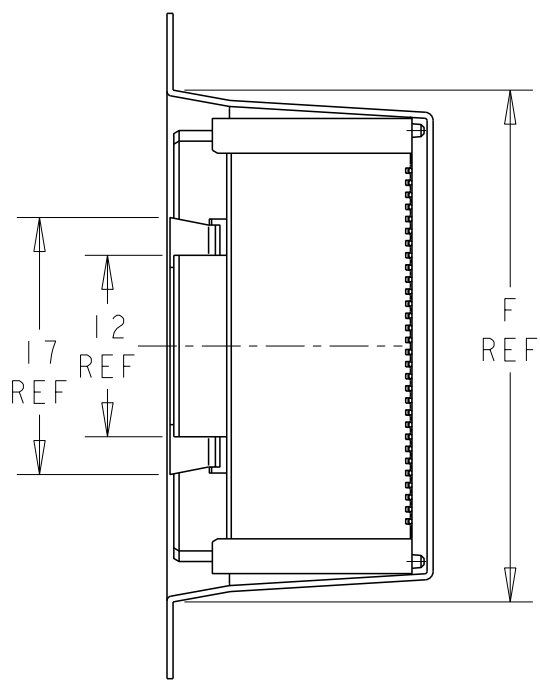
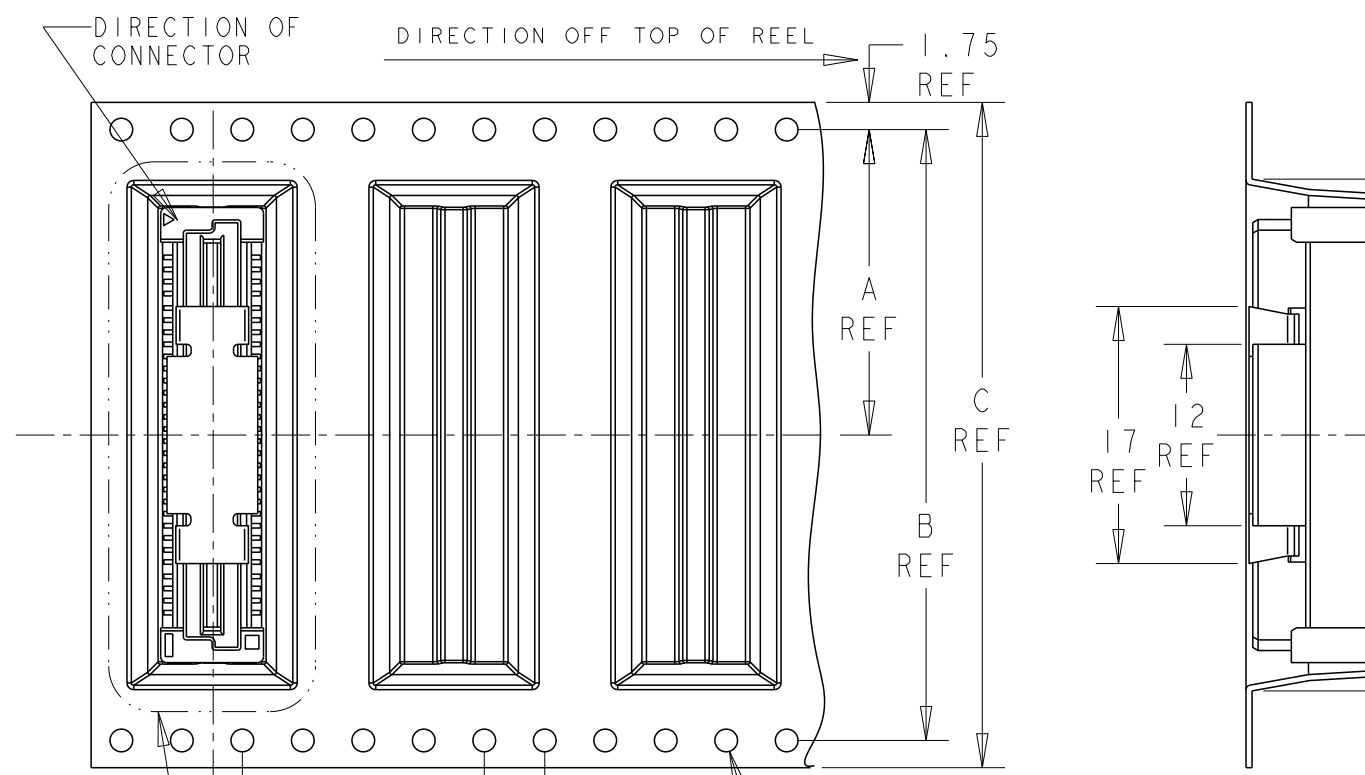


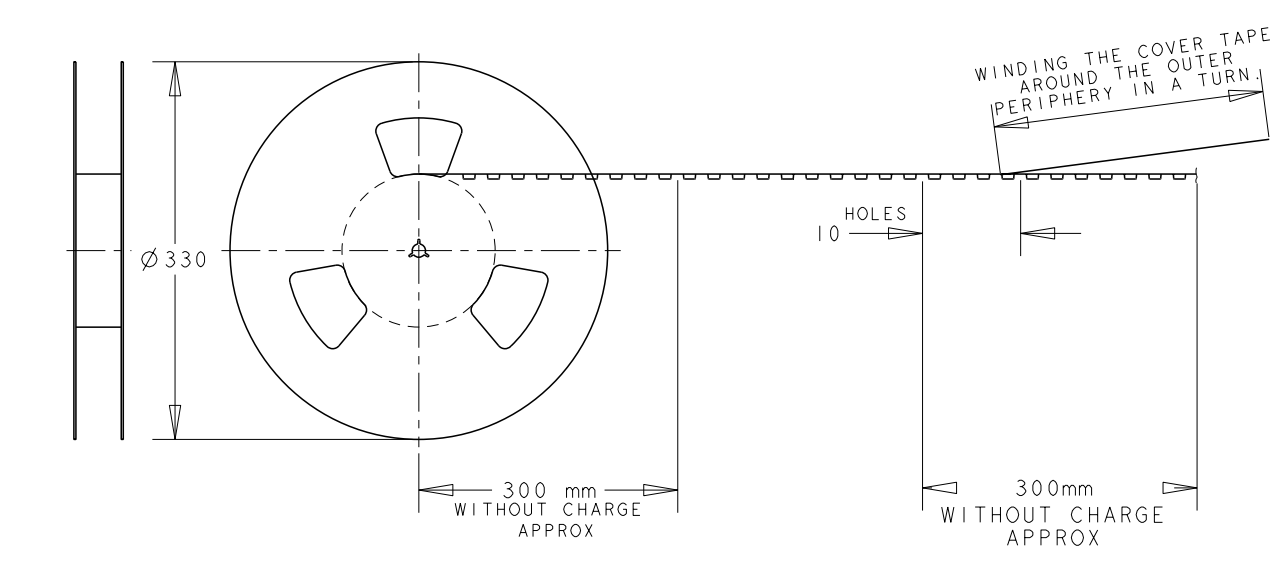
THIS DRAWING IS UNPUBLISHED. RELEASED FOR PUBLICATION 20
 © COPYRIGHT 20 BY - ALL RIGHTS RESERVED.

LOC	DIST	REVISIONS					
		P	LTR	DESCRIPTION	DATE	DWN	APVD
DY	-	A2		REVISED PER ECR-14-010370	10JUL2014	I.T	W.H



NOTES:

- MATERIALS:
HOUSING: L.C.P (HIGH TEMP THERMO PLASTIC) UL 94V-0, NATURAL.
CONTACT: COPPER ALLOY.
- FINISH:
ENGAGEMENT AREA: 0.0002 MIN GOLD
SOLDERING AREA: 0.002 MIN MATTE TIN
UNDERCOAT: 0.0013 MIN NICKEL ALL OVER
- FINISH:
ENGAGEMENT AREA: 0.00076 MIN GOLD
SOLDERING AREA: 0.002 MIN MATTE TIN
UNDERCOAT: 0.0013 MIN NICKEL ALL OVER
- POSITION SERIES:
SEE P/N TABLE ON SHEET 3.
- CONNECTOR MATED STACKED HEIGHT IS COMBINATION OF PLUG HEIGHT "Y" AND REC HEIGHT "X", LESS 5 mm.
STACKED HEIGHT = Y + X - 5
- THIS DRAWING 1735481 DESCRIBES CONNECTORS P/N X-1735480-X WITH STEEL COVER IN EMBOSS TAPE PACKAGING.
CONNECTOR DIMENSIONS (ON SHEET 2) AND RECOMMENDED P.C. BOARD LAYOUT (ON SHEET 3) ARE REFERENCED FROM DRAWING 1735480.



THIS DRAWING IS A CONTROLLED DOCUMENT.		DWN WYLEE 10JUL2007		
DIMENSIONS: mm		CHK YJ SEE 20MAR2013		
TOLERANCES UNLESS OTHERWISE SPECIFIED:		APVD SF LEONG 20MAR2013	NAME	
0 PLC ±-	1 PLC ±0.30	PRODUCT SPEC 108-5390	RECEPTACLE 17mm HEIGHT	
2 PLC ±0.25	3 PLC ±0.20	APPLICATION SPEC 114-5254	FH 0.8mm B-T-B CONNECTOR	
4 PLC ±-	ANGLES ±3°	WEIGHT -	SIZE A3	CAGE CODE 00779
MATERIAL	FINISH SEE P/N TABLE	CUSTOMER DRAWING	DRAWING NO C-1735482	RESTRICTED TO -
		SCALE 2:1	SHEET 1 OF 3	REV A2

4

3

2

1

THIS DRAWING IS UNPUBLISHED.

RELEASED FOR PUBLICATION

20

© COPYRIGHT 20 BY -

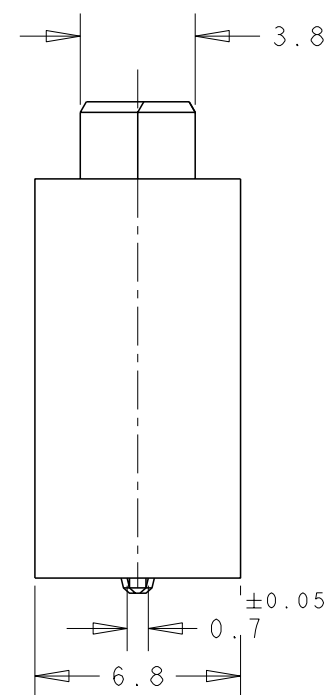
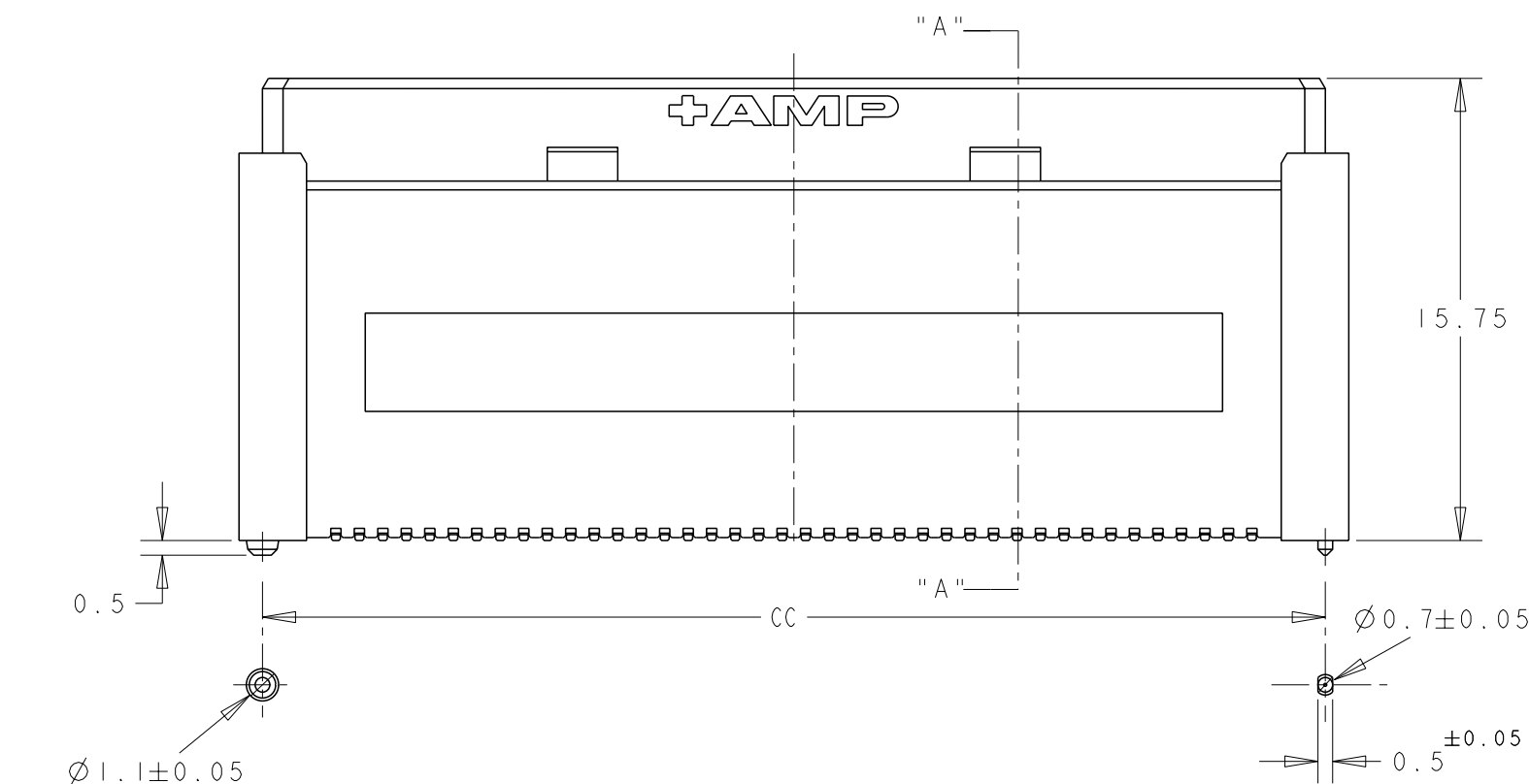
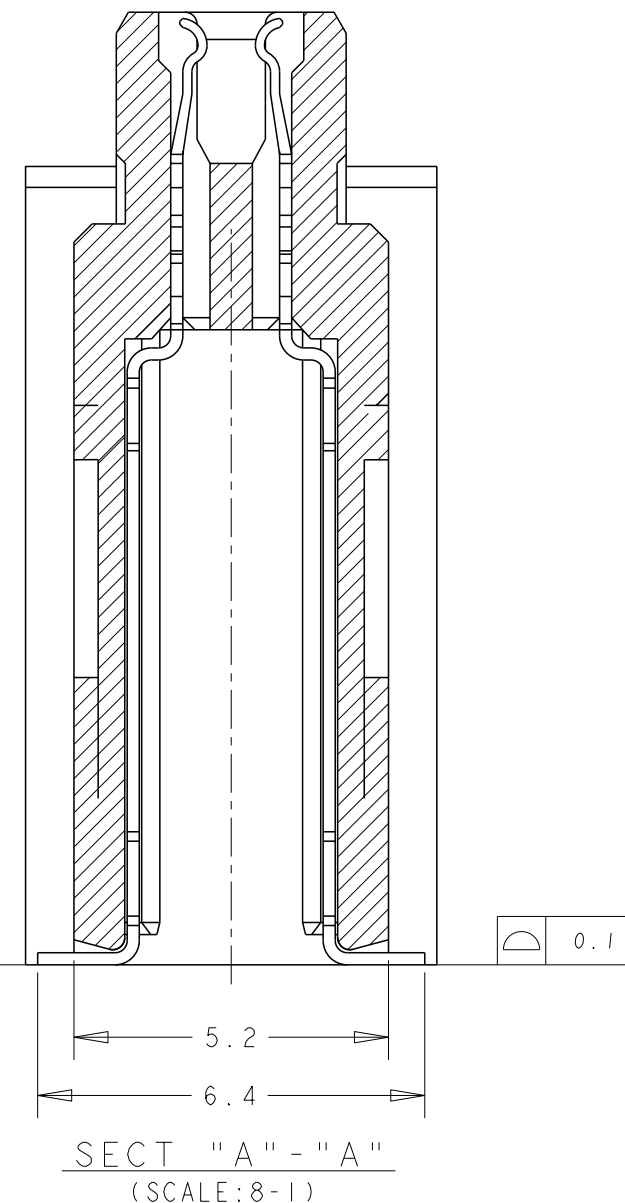
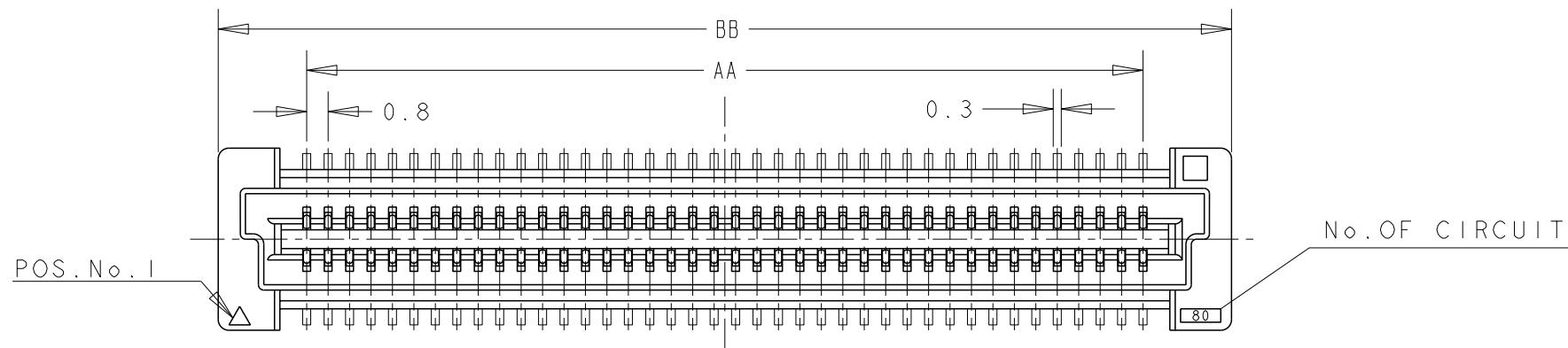
ALL RIGHTS RESERVED.

LOC
DY

DIST
-

REVISIONS

P	LTR	DESCRIPTION	DATE	DWN	APVD
-	-	SEE SHEET 1	-	-	-



CONNECTOR DIMENSIONS REFERENCED FROM DRAWING NO. 1735480.

THIS DRAWING IS A CONTROLLED DOCUMENT.		DWN WYLEE	10JUL2007	STE TE Connectivity	
DIMENSIONS: mm		CHK YJ SEE	20MAR2013		
TOLERANCES UNLESS OTHERWISE SPECIFIED:		APVD SE LEONG	20MAR2013	NAME RECEPTACLE 17mm HEIGHT FH 0.8mm B-T-B CONNECTOR WITH STEEL COVER, ON EMBOSS TAPE	
0 PLC ± 1 PLC ±0.30 2 PLC ±0.25 3 PLC ±0.20 4 PLC ± ANGLES ±3°		PRODUCT SPEC 108-5390	SIZE A300779		CAGE CODE C=1735482
MATERIAL I		FINISH SEE P/N TABLE	APPLICATION SPEC 114-5254	DRAWING NO 1735482	
		WEIGHT -	RESTRICTED TO -		
		CUSTOMER DRAWING	SCALE 2:1	SHEET 2 OF 3	REV A2

THIS DRAWING IS UNPUBLISHED.

RELEASED FOR PUBLICATION

20

© COPYRIGHT 20 BY -

ALL RIGHTS RESERVED.

LOC

DIST

REVISIONS

DY

-

P

LTR

DESCRIPTION

DATE

DWN

APVD

-

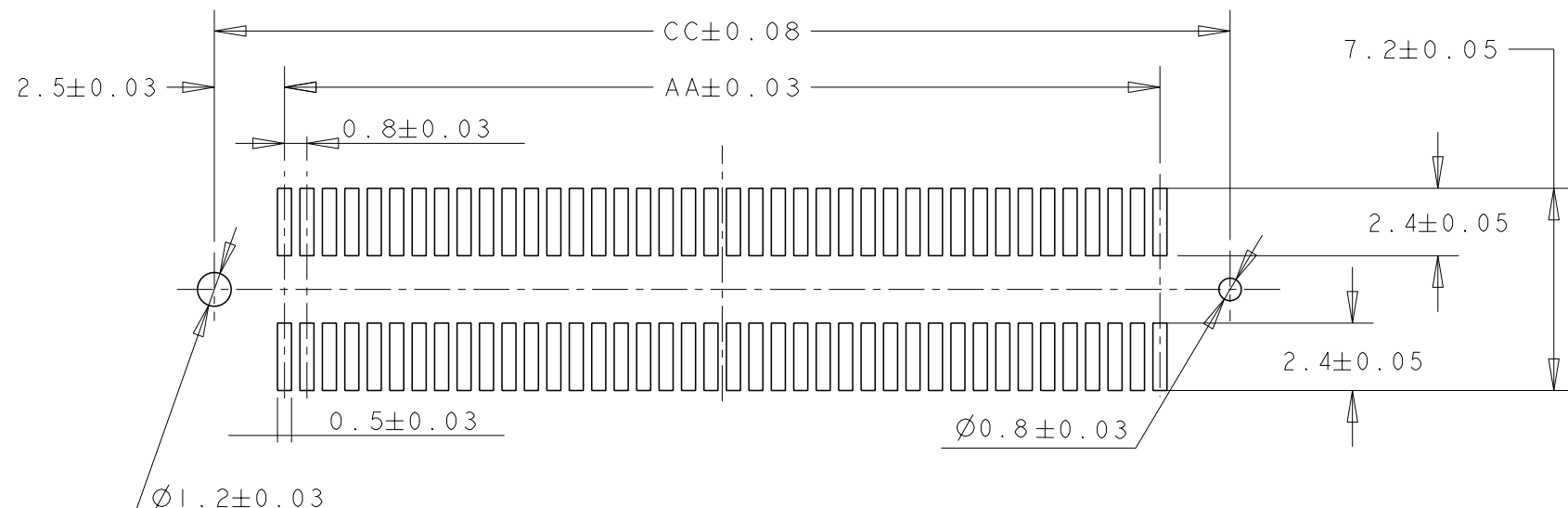
-

SEE SHEET 1

-

-

-



RECOMMENDED P.C. BOARD LAYOUT
 (REFERENCED FROM DRAWING NO. 1735480.)

CONTACT FINISH	QTY	CC	BB	AA	F	E	D	C	B	A	CONNECTOR P/N REF. ONLY	POS	SALEABLE PART NO.
30 u"Au - Sn 3	100	84.20	SAME AS DIM D	79.20	94.0	20	85.8	120	116.4	58.2	8-1735480-0	200	3-1735482-0
	100	76.20		71.20	86.0	20	77.8	104	100.4	50.2	7-1735480-9	180	2-1735482-9
	100	68.20		63.20	73.8	20	69.8	88	84.4	42.2	7-1735480-8	160	2-1735482-8
	100	64.20		59.20	69.8	20	65.8	88	84.4	42.2	7-1735480-7	150	2-1735482-7
	100	60.20		55.20	65.8	20	61.8	88	84.4	42.2	7-1735480-6	140	2-1735482-6
	100	52.20		47.20	57.8	20	53.8	72	68.4	34.2	7-1735480-5	120	2-1735482-5
	100	44.20		39.20	49.8	20	45.8	72	68.4	34.2	7-1735480-4	100	2-1735482-4
	100	36.20		31.20	41.8	20	37.8	56	52.4	26.2	7-1735480-3	80	2-1735482-3
	100	28.20		23.20	33.8	20	29.8	44	40.4	20.2	7-1735480-2	60	2-1735482-2
	100	20.20		15.20	25.8	20	21.8	44	40.4	20.2	7-1735480-1	40	2-1735482-1
08 u"Au - Sn 2	100	84.20	SAME AS DIM D	79.20	94.0	20	85.8	120	116.4	58.2	6-1735480-0	200	1-1735482-0
	100	76.20		71.20	86.0	20	77.8	104	100.4	50.2	5-1735480-9	180	1735482-9
	100	68.20		63.20	73.8	20	69.8	88	84.4	42.2	5-1735480-8	160	1735482-8
	100	64.20		59.20	69.8	20	65.8	88	84.4	42.2	5-1735480-7	150	1735482-7
	100	60.20		55.20	65.8	20	61.8	88	84.4	42.2	5-1735480-6	140	1735482-6
	100	52.20		47.20	57.8	20	53.8	72	68.4	34.2	5-1735480-5	120	1735482-5
	100	44.20		39.20	49.8	20	45.8	72	68.4	34.2	5-1735480-4	100	1735482-4
	100	36.20		31.20	41.8	20	37.8	56	52.4	26.2	5-1735480-3	80	1735482-3
	100	28.20		23.20	33.8	20	29.8	44	40.4	20.2	5-1735480-2	60	1735482-2
	100	20.20		15.20	25.8	20	21.8	44	40.4	20.2	5-1735480-1	40	1735482-1

THIS DRAWING IS A CONTROLLED DOCUMENT.

DWN WYLEE 10JUL2007

CHK YJ SEE 20MAR2013

APVD SF LEONG 20MAR2013

PRODUCT SPEC 108-5390

APPLICATION SPEC 114-5254

WEIGHT -

CUSTOMER DRAWING

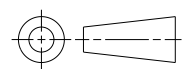


NAME
 RECEPTACLE 17mm HEIGHT
 FH 0.8mm B-T-B CONNECTOR
 WITH STEEL COVER, ON EMBOSS TAPE

SIZE A3 CAGE CODE 00779 DRAWING NO. C-1735482 RESTRICTED TO -

SCALE 2:1 SHEET 3 OF 3 REV A2

DIMENSIONS: mm



TOLERANCES UNLESS OTHERWISE SPECIFIED:

0 PLC	±-
1 PLC	±0.30
2 PLC	±0.25
3 PLC	±0.20
4 PLC	±-
ANGLES	±3°

FINISH SEE P/N TABLE

MATERIAL 1



Mouser Electronics

Authorized Distributor

Click to View Pricing, Inventory, Delivery & Lifecycle Information:

[TE Connectivity:](#)

[1735482-4](#)