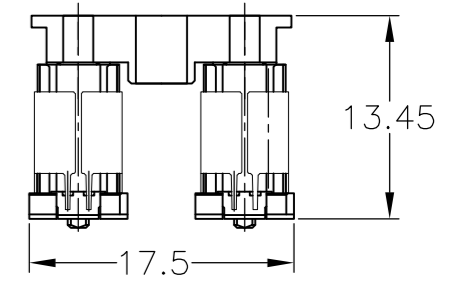
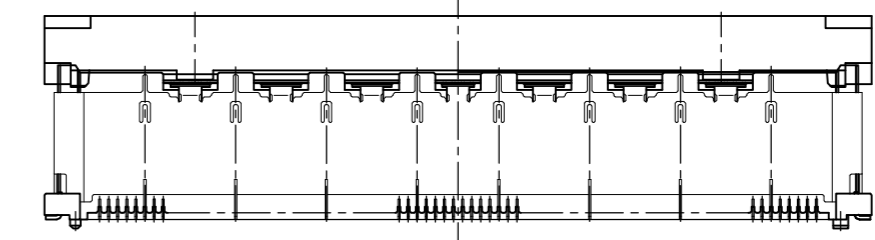
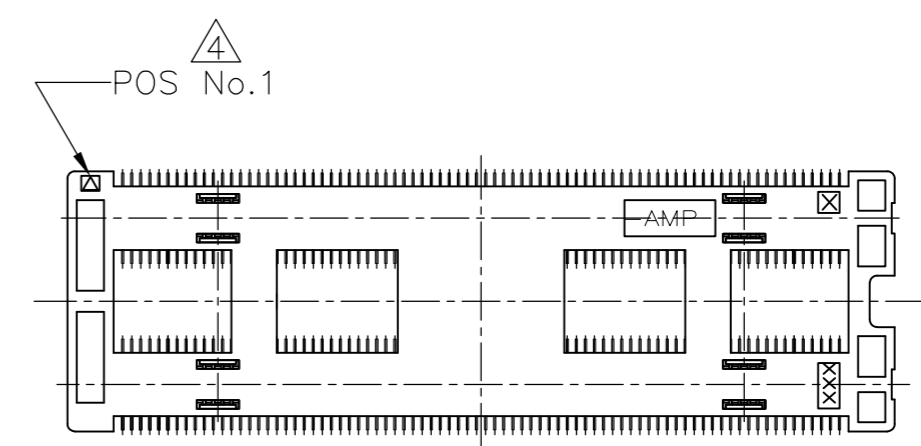
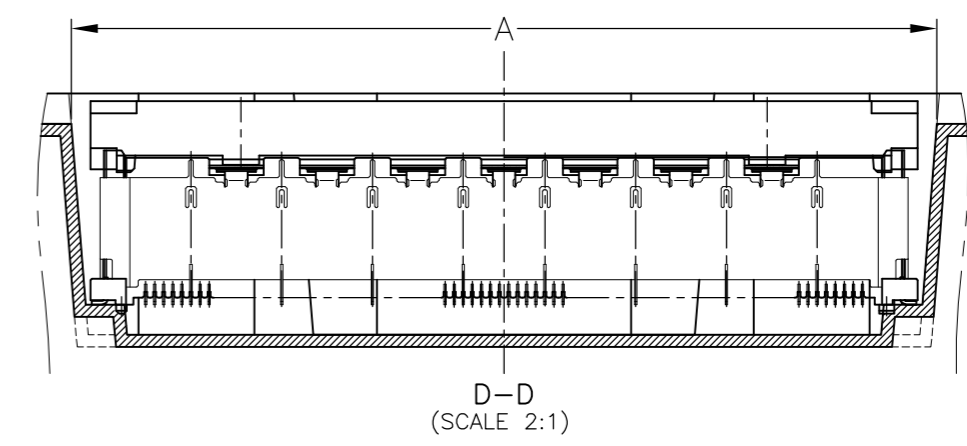
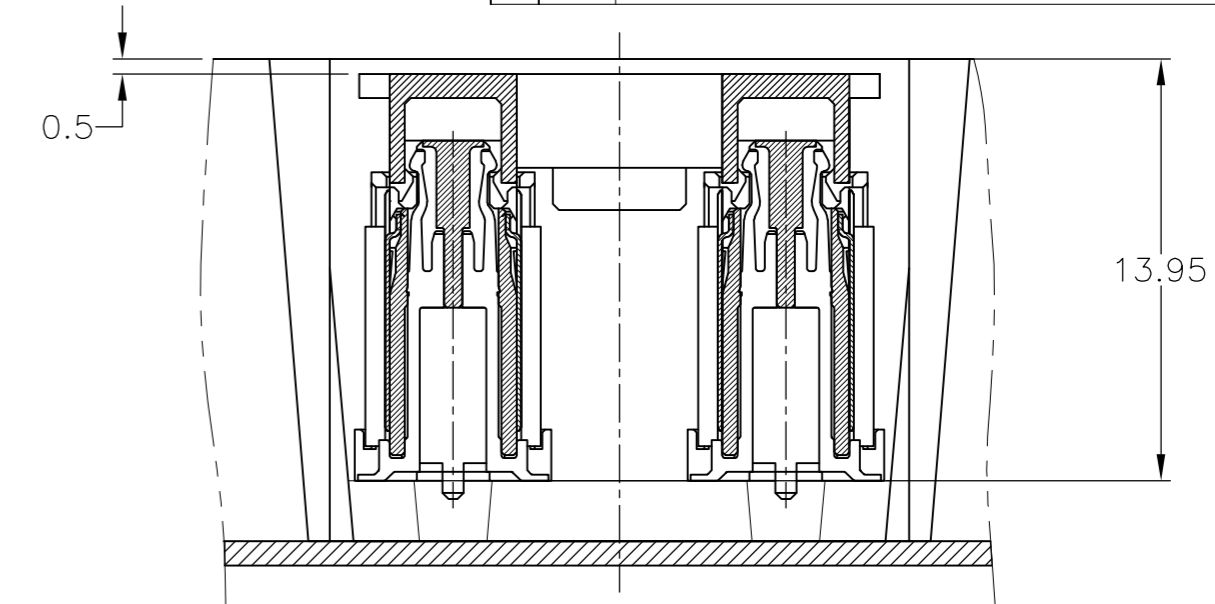
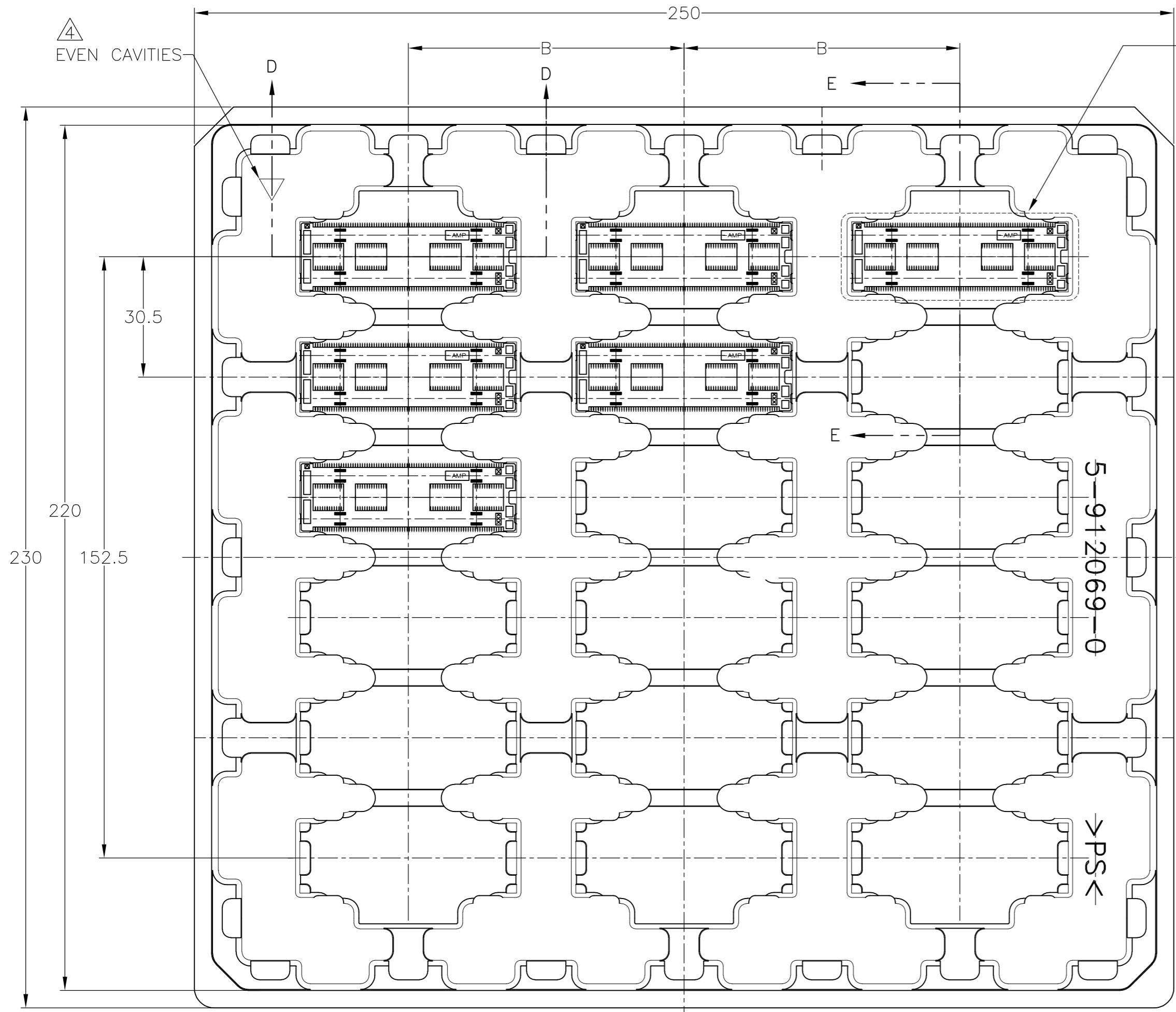
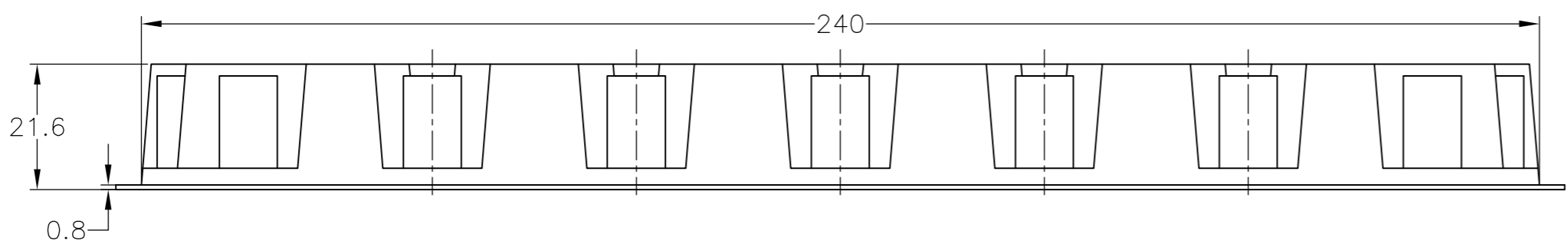


THIS DRAWING IS UNPUBLISHED. RELEASED FOR PUBLICATION
 © COPYRIGHT - By - ALL RIGHTS RESERVED.

LOC		DIST		REVISIONS			DATE	DWN	APVD
		P	LTR	DESCRIPTION					
J				B1	REVISED	ECR-11-019335	21SEP11	I.T	C.W



DETAIL C (SCALE 2:1)



- △ ARRANGE THE CONNECTOR DIRECTION FOLLOW A TRIANGLE MARK.
- △ SEALANT COATING ALL OVER BY DIPPING AFTER CONNECTOR ASSEMBLY.

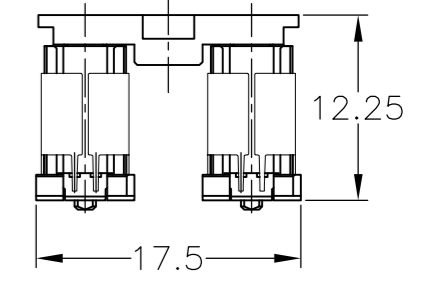
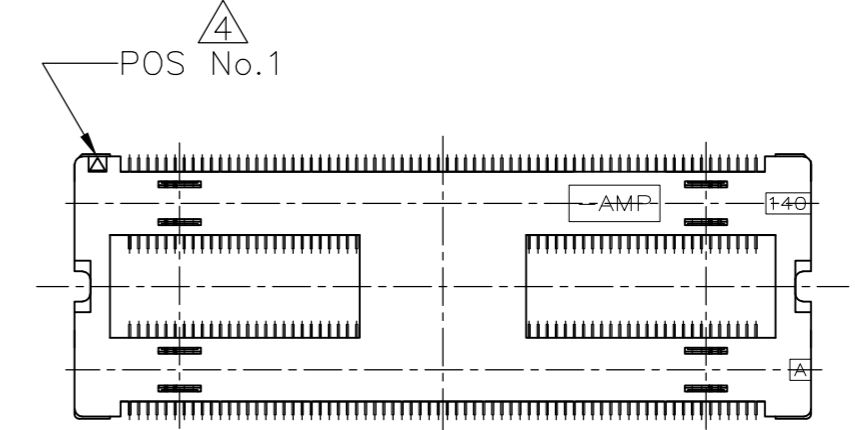
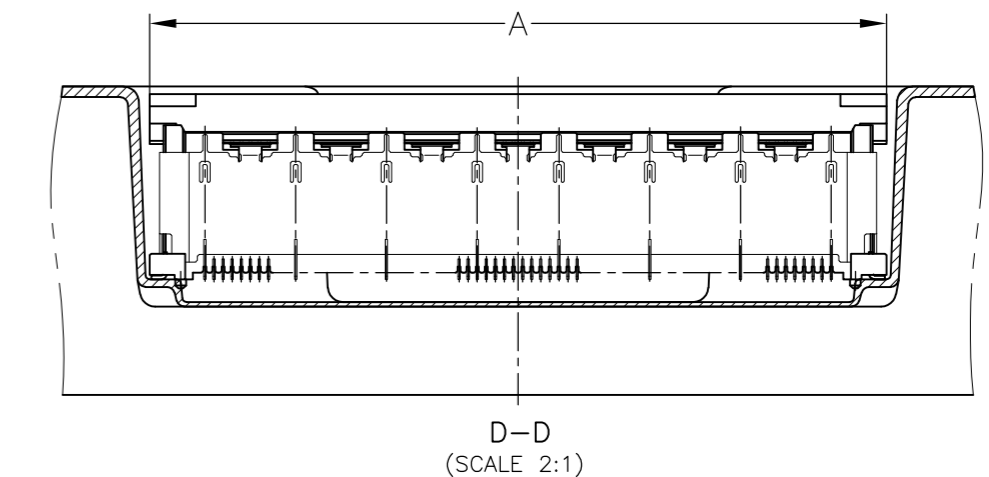
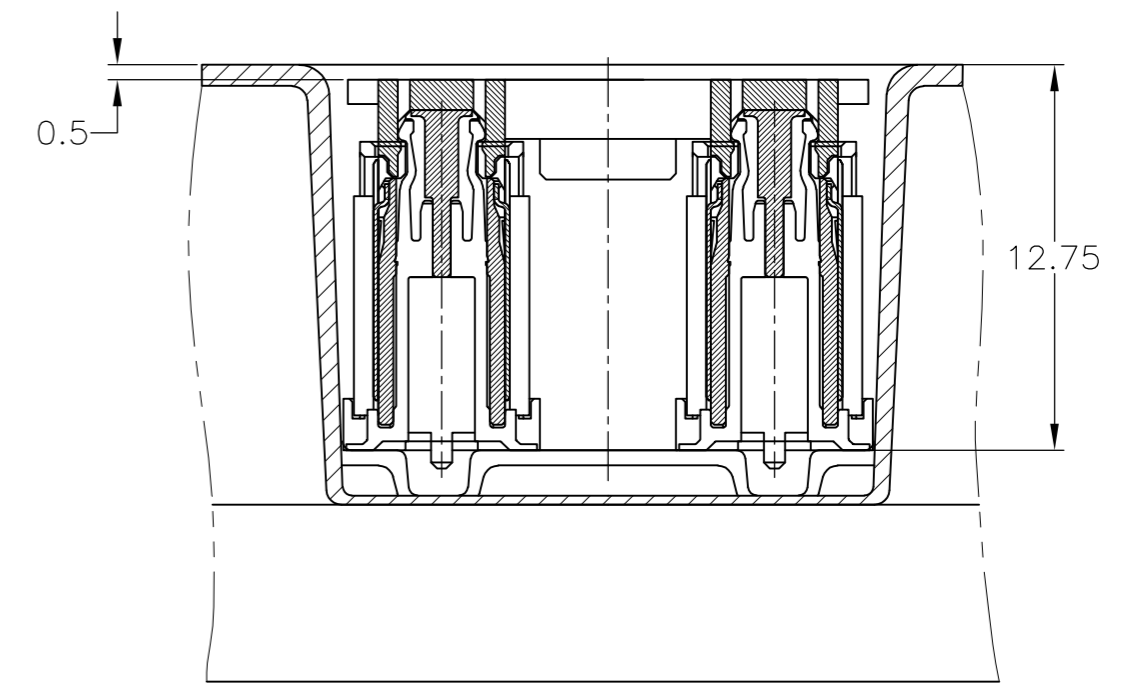
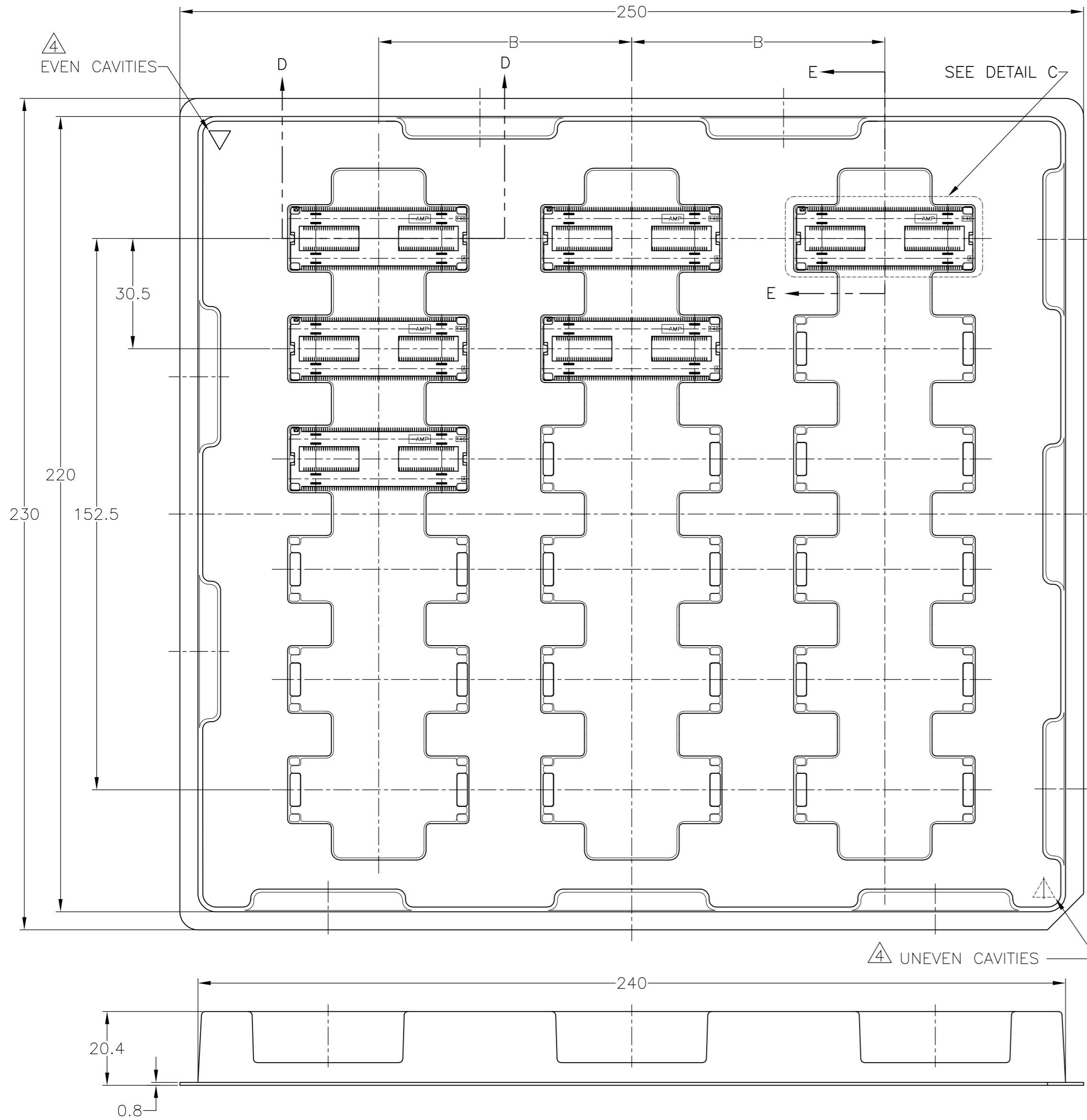
SEALANT	TOOLING STATUS	FINISH	ROW	QTY	B	A	POS.	TRAY P/N	PART NO.
SEALANT	NOT AVAILABLE	△2	3	18	70	54.7	320	5-912069-0	6-5353800-1
NON SEALANT	NOT AVAILABLE	↑	↑	↑	↑	42.7	240	4- -8	5- -9
NON SEALANT	NOT AVAILABLE	△2	3	18	70	36.7	200	4-912069-7	5-5353800-8
NON SEALANT	AVAILABLE	△2	3	18	70	54.7	320	5-912069-0	1-5353800-1
NON SEALANT	NOT AVAILABLE	↑	↑	↑	↑	42.7	240	4- -8	↑ -9
NON SEALANT	NOT AVAILABLE	△2	3	18	70	36.7	200	4-912069-7	5353800-8

THIS DRAWING IS A CONTROLLED DOCUMENT.

DWN HAWKING HE 08DEC04		TE Connectivity	
CHK STEVEN YAO 08DEC04		SOFT TRAY ASSY	
APVD IENOMOTO 08DEC04		FH 0.6 BTB CONNECTOR	
PRODUCT SPEC 108-60047		REC 12H W/G-PLATE 2 ROW TYPE	
APPLICATION SPEC 114-5255	SIZE A2	CAGE CODE 00779	DRAWING NO C=5353800
MATERIAL	WEIGHT	SCALE 1:1	SHEET 1 OF 5
FINISH	CUSTOMER DRAWING	REV B1	

THIS DRAWING IS UNPUBLISHED. RELEASED FOR PUBLICATION
 © COPYRIGHT - By - ALL RIGHTS RESERVED.

LOC		DIST		REVISIONS			DATE	DWN	APVD
P	LTR	DESCRIPTION							
-	-	SEE SHEET 1			-	-	-	-	-



SEALANT	TOOLING STATUS	FINISH	ROW	QTY	B	A	POS.	TRAY P/N	PART NO.
SEALANT	NOT AVAILABLE	2	3	18	70	48.7	280	4-912069-9	6-5353800-0
NON SEALANT	AVAILABLE	1	3	18	70	48.7	280	4-912069-9	2-5353800-0
NON SEALANT	AVAILABLE	3	3	18	70	48.7	280	4-912069-9	1-5353800-0

280POS. ONLY

THIS DRAWING IS A CONTROLLED DOCUMENT.

DIMENSIONS: 單位: 耗 mm	TOLERANCES UNLESS OTHERWISE SPECIFIED: 一般公差	DWN	TE Connectivity	
0 PLC ± 0.3	1 PLC ± 0.3	CHK	NAME 名稱	
2 PLC ± 0.3	3 PLC ± 0.3	APVD	SOFT TRAY ASSY	
4 PLC ± 0.3	ANGLES ± 3°	PRODUCT SPEC 製品規格	FH 0.6 BTB CONNECTOR	
MATERIAL 材料	FINISH 仕上	APPLICATION SPEC 取付適用規格	SIZE A2	CAGE CODE 00779
		WEIGHT	DRAWING NO. C=5353800	RESTRICTED TO
		CUSTOMER DRAWING	SCALE 1:1	SHEET 2 OF 5

PROJ NO. 697-014

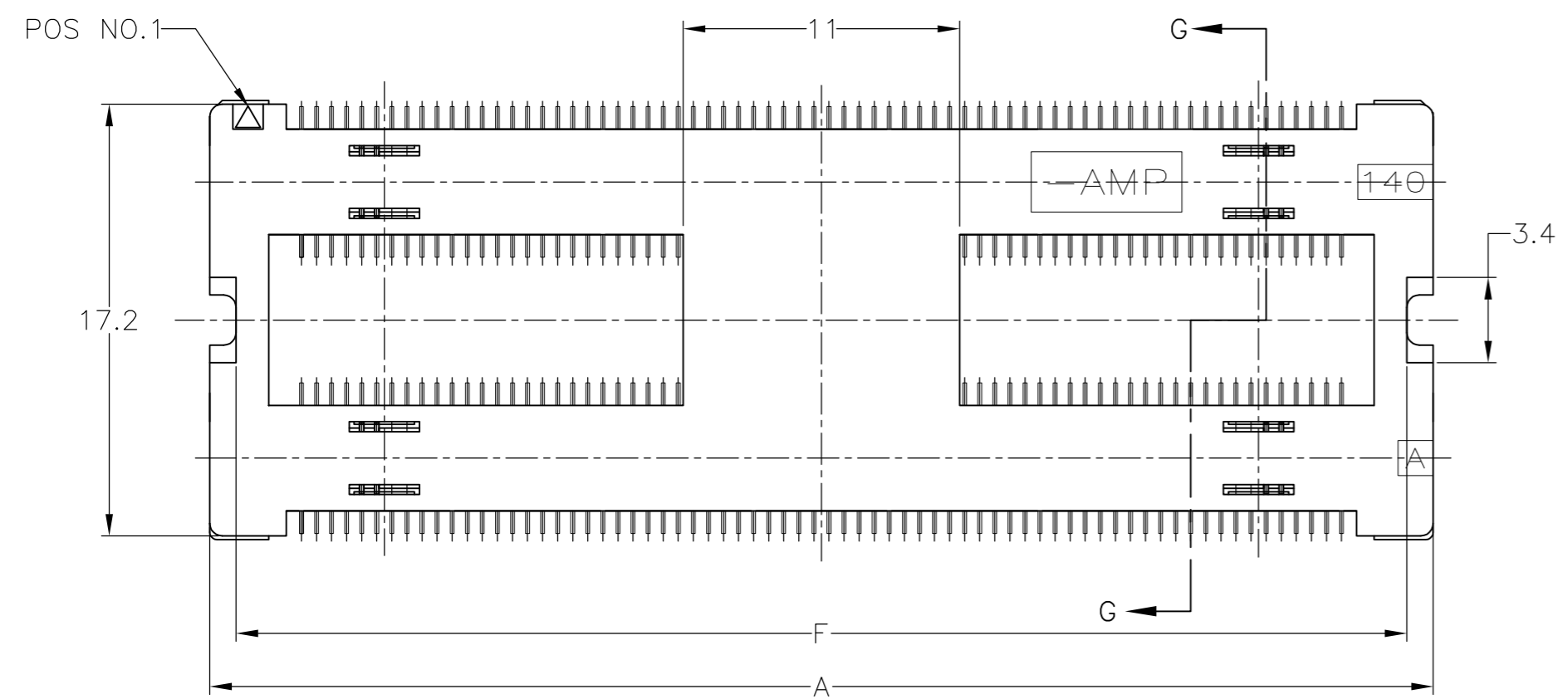
A

5353800

A

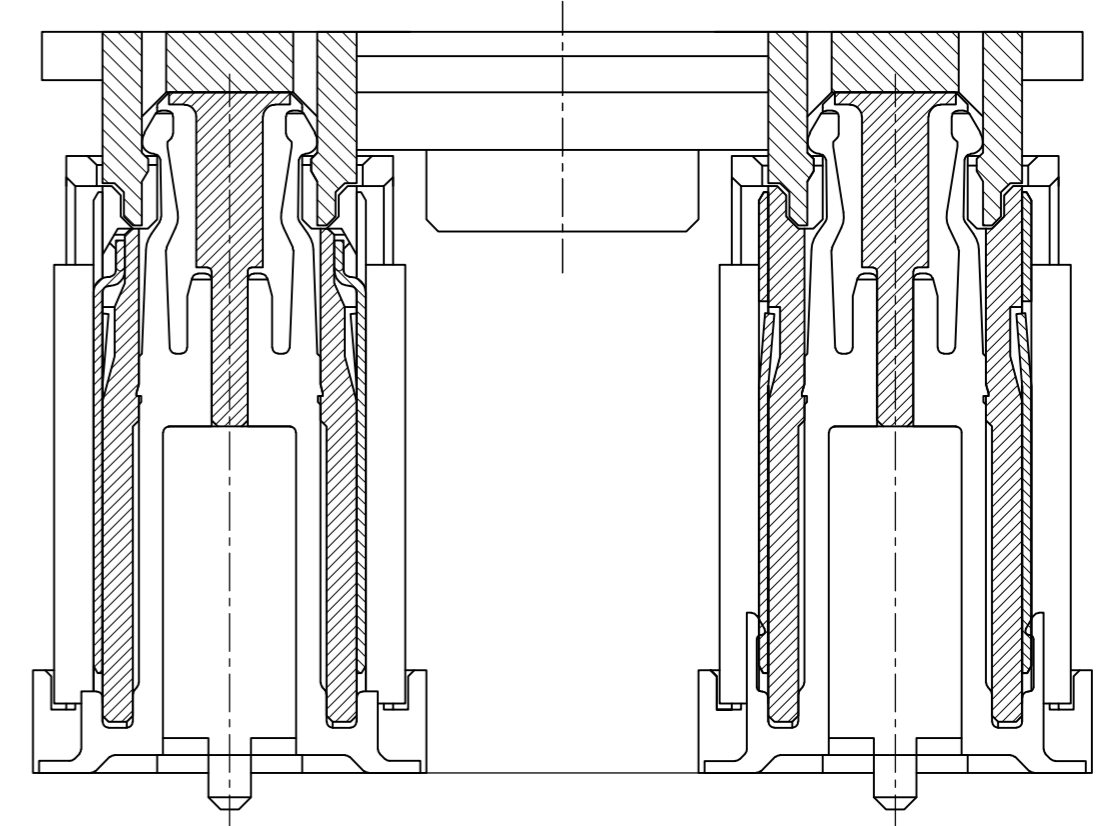
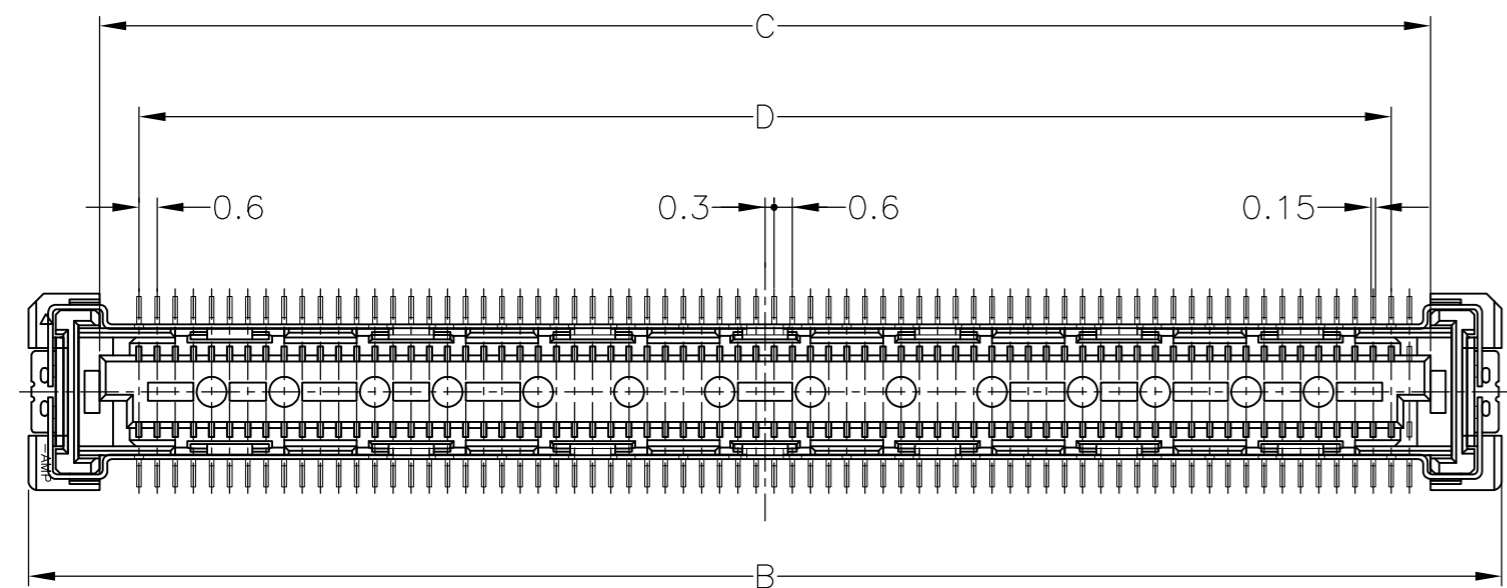
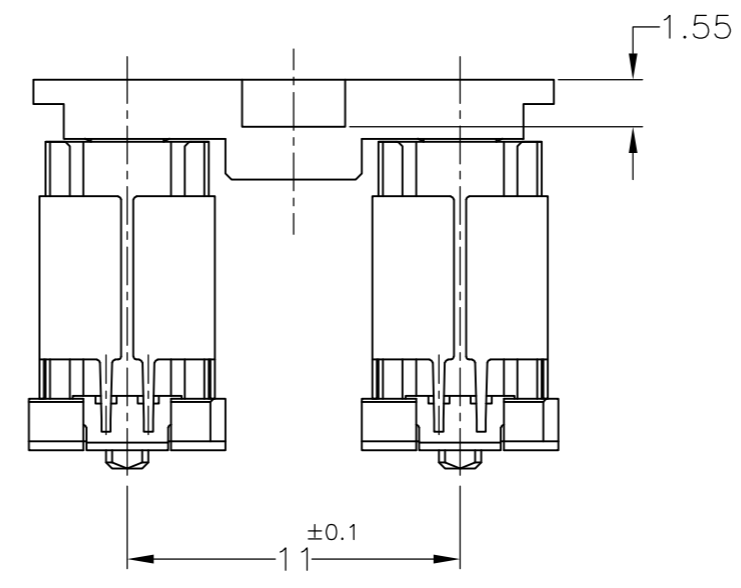
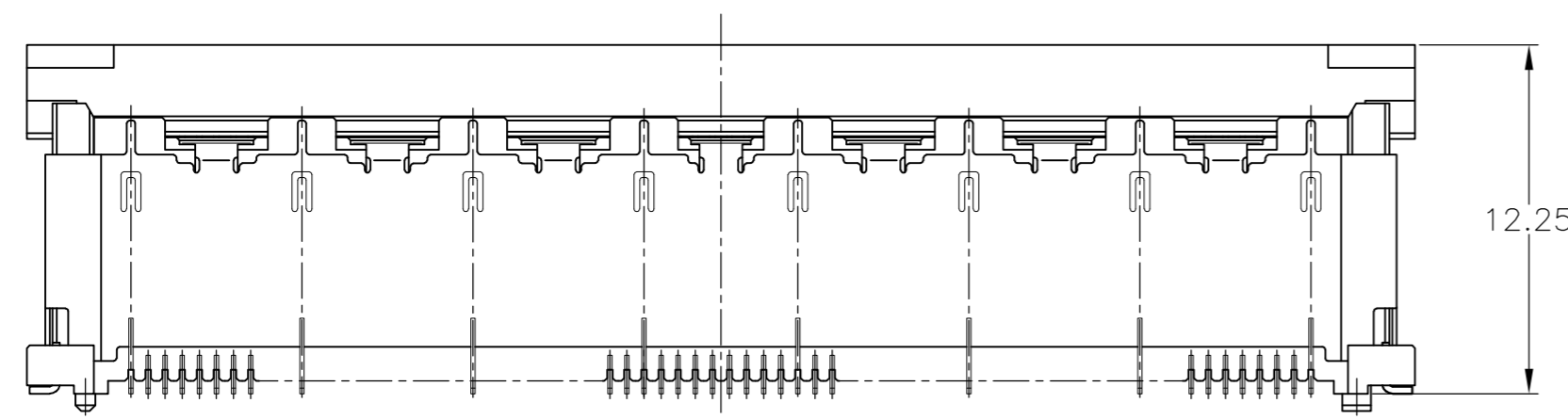
THIS DRAWING IS UNPUBLISHED. RELEASED FOR PUBLICATION
 © COPYRIGHT - By - ALL RIGHTS RESERVED.

LOC	DIST	REVISIONS					
J		P	LTR	DESCRIPTION	DATE	DWN	APVD
		-	-	SEE SHEET 1	-	-	-

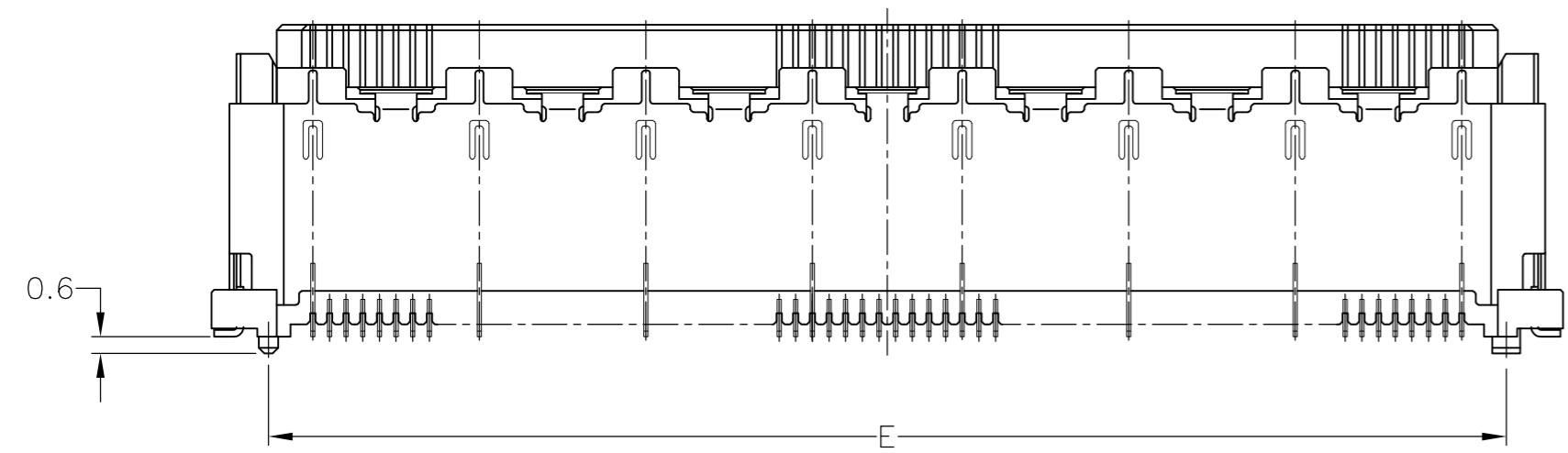
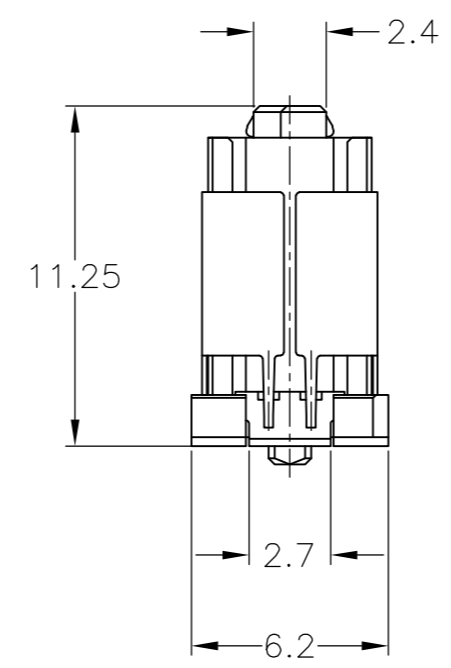


6 MUST BE MEASURED FLOATING AMOUNT OF TINES AND TAIL PLATE FROM DATUM SURFACE IS 0.1 MAX. TO BE MEET REQUIREMENT COPLANARITY CHECK GAGE BY SELF WEIGHT.

△ FINISH ; UNDER PL Ni 0.0013mm MIN ALL OVER. CONTACT AREA 0.00076 MIN Au PL. SOLDERING AREA 0.001 MIN TIN PL.



G-G (SCALE 8:1)



NOT AVAILABLE	52.6	50.6	47.4	50	54.7	54.7	320	1-1318159-1
AVAILABLE	46.6	44.6	41.4	44	48.7	48.7	280	1- ↑ -0
NOT AVAILABLE	40.6	38.6	35.4	38	42.7	42.7	240	-9
NOT AVAILABLE	34.6	32.6	29.4	32	36.7	36.7	200	353123-8
TOOLING STATUS	F	E	D	C	B	A	POS	CAP P/N

THIS DRAWING IS A CONTROLLED DOCUMENT.

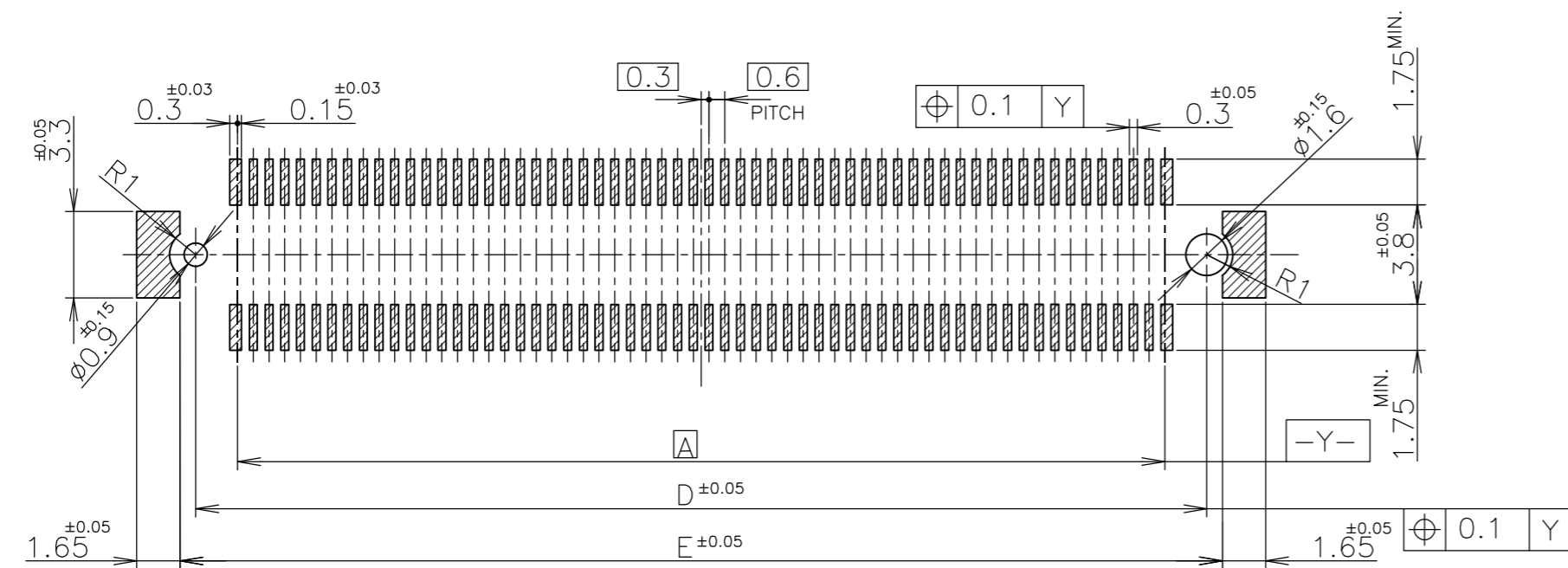
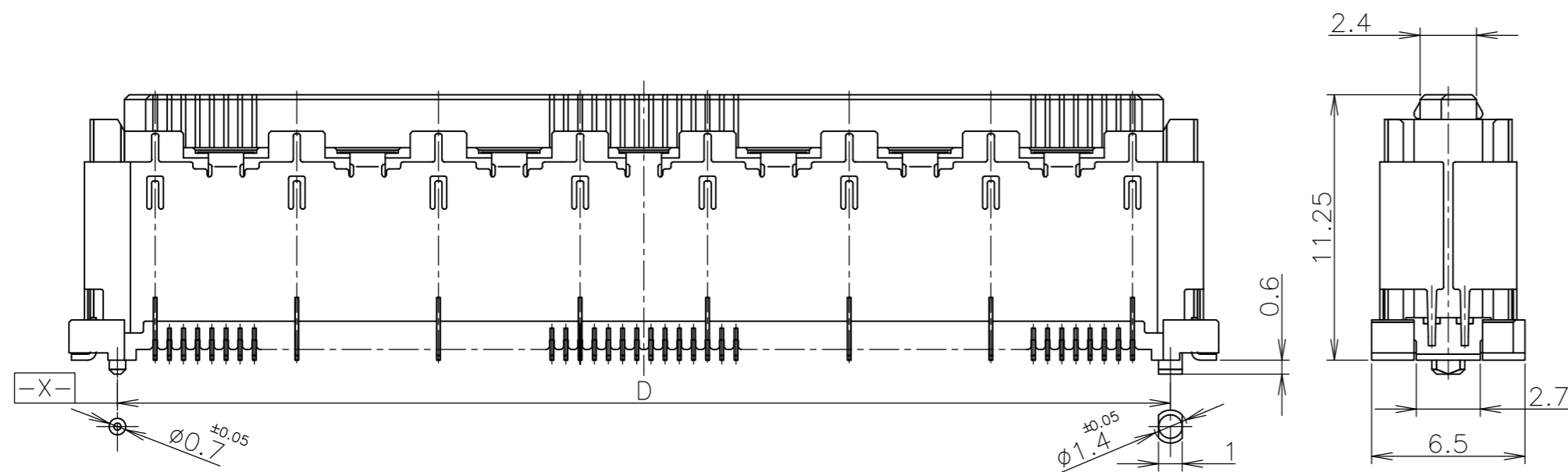
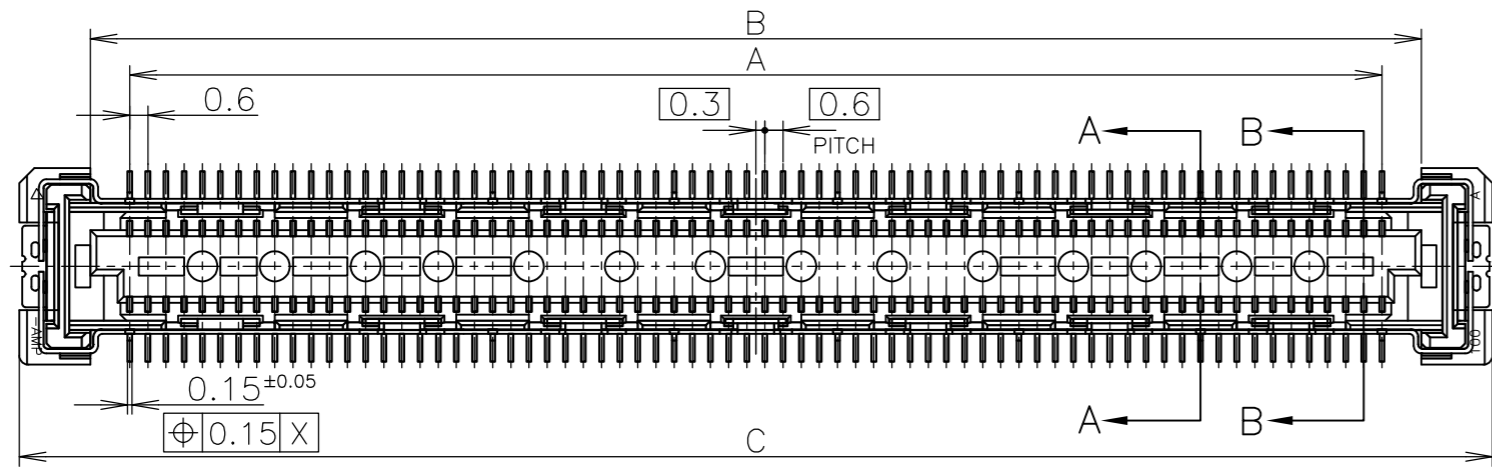
DIMENSIONS: 單位: 耗 mm	TOLERANCES UNLESS OTHERWISE SPECIFIED: 一般公差	DWN	TE Connectivity NAME 名稱 SOFT TRAY ASSY FH 0.6 BTB CONNECTOR REC 12H W/G-PLATE 2 ROW TYPE
0 PLC ± 0.3	1 PLC ± 0.3	CHK	
2 PLC ± 0.3	3 PLC ± 0.3	APVD	
4 PLC ± 0.3	ANGLES ± 3'	PRODUCT SPEC 製品規格	
MATERIAL 材料	FINISH 仕上	APPLICATION SPEC 取付適用規格	SIZE A2
		WEIGHT	CAGE CODE 00779
		CUSTOMER DRAWING	DRAWING NO. 番号 C=5353800
			RESTRICTED 30
			SCALE 尺度 4:1
			SHEET 3 of 5
			REV B1

PROJ NO.697-014

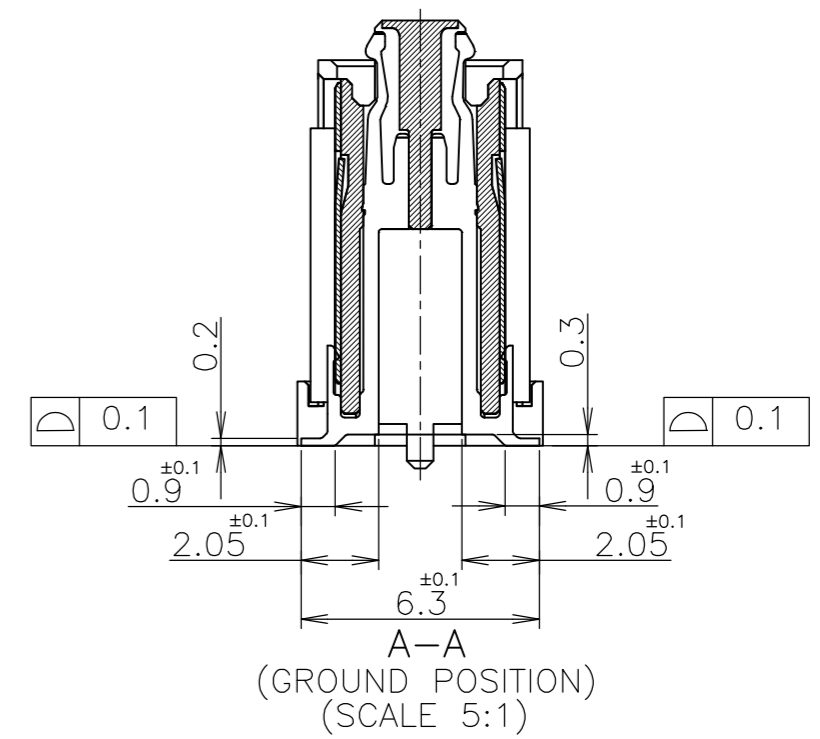
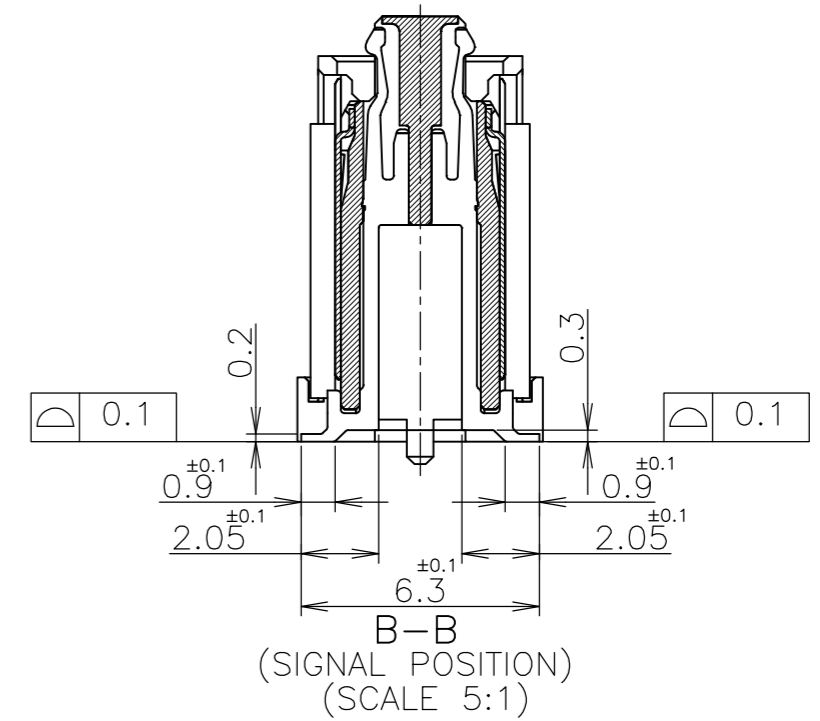
5353800

THIS DRAWING IS UNPUBLISHED. RELEASED FOR PUBLICATION
 © COPYRIGHT - By - ALL RIGHTS RESERVED.

LOC	DIST	REVISIONS					
J		P	LTR	DESCRIPTION	DATE	DWN	APVD
		-	-	SEE SHEET 1	-	-	-



REFERENCE P.C. BOARD LAYOUT



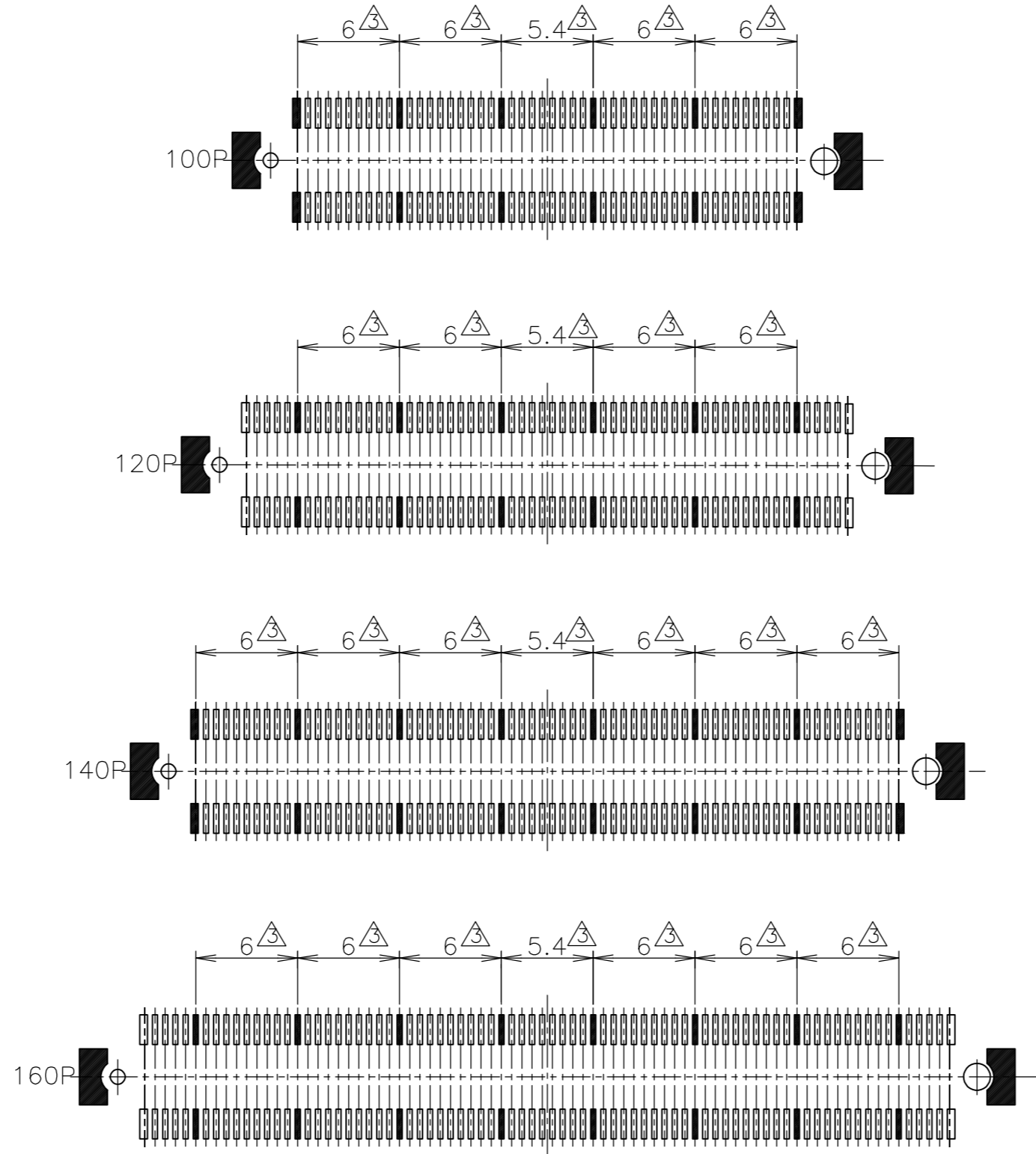
AVAILABLE	51.8	50.6	54.7	50	47.4	160
AVAILABLE	45.8	44.6	48.7	44	41.4	140
NOT AVAILABLE	39.8	38.6	42.7	38	35.4	120
NOT AVAILABLE	33.8	32.6	36.7	32	29.4	100
TOOLING STATUS	E	D	C	B	A	POS

GENERAL TOLERANCE
 一般公差
 10 ≥ ±0.2
 30 ≥ >10: ±0.25
 100 ≥ >30: ±0.3
 ANGLES: ±3°

THIS DRAWING IS A CONTROLLED DOCUMENT.		DWN	TE Connectivity	
DIMENSIONS: 單位: 耗 mm		CHK		
TOLERANCES UNLESS OTHERWISE SPECIFIED 一般公差		APVD	NAME 名稱	
0 PLC ±		PRODUCT SPEC 製品規格	SOFT TRAY ASSY	
1 PLC ± -		APPLICATION SPEC 取付適用規格	FH 0.6 BTB CONNECTOR	
2 PLC ± -		WEIGHT	REC 12H W/G-PLATE 2 ROW TYPE	
3 PLC ± -		CUSTOMER DRAWING	SIZE	RESTRICTED TO
4 PLC ± -			A2	
ANGLES ± -		CAGE CODE	DRAWING NO	
FINISH 仕上		00779	5353800	
		SCALE 尺度	SHEET	REV
		4:1	4 of 5	B1

THIS DRAWING IS UNPUBLISHED. RELEASED FOR PUBLICATION
 © COPYRIGHT - By - ALL RIGHTS RESERVED.

LOC		DIST		REVISIONS					
J				P	LTR	DESCRIPTION	DATE	DWN	APVD
				-	-	SEE SHEET 1	-	-	-



- ① MATERIAL ; HOUSING : HIGH TEMP THERMO PLASTIC UL94V-0
CONTACT : COPPER ALLOY
- ② FINISH ; UNDER PL Ni 0.0013mm MIN ALL OVER.
CONTACT AREA 0.0002 MIN Au PL.
SOLDERING AREA 0.001 MIN TIN PL.
- ③ ■ THIS POSITION IS GROUND CIRCUIT.

GENERAL TOLERANCE
 一般公差
 10 ≥ : ±0.2
 30 ≥ >10 : ±0.25
 100 ≥ >30 : ±0.3
 ANGLES : ±3°

THIS DRAWING IS A CONTROLLED DOCUMENT.		DWN	STE TE Connectivity	
DIMENSIONS: 單位: 耗 mm		CHK		
TOLERANCES UNLESS OTHERWISE SPECIFIED 一般公差		APVD	NAME 名稱	
0 PLC ± -		PRODUCT SPEC 製品規格	SOFT TRAY ASSY	
1 PLC ± -		APPLICATION SPEC 取付適用規格	FH 0.6 BTB CONNECTOR	
2 PLC ± -		WEIGHT	REC 12H W/G-PLATE 2 ROW TYPE	
3 PLC ± -		CUSTOMER DRAWING	SIZE A2	CAGE CODE 00779
4 PLC ± -			DRAWING NO 番号 C=5353800	RESTRICTED TO
ANGLES ± -			SCALE 尺度 3:1	SHEET 5 OF 5
FINISH 仕上			REV B1	