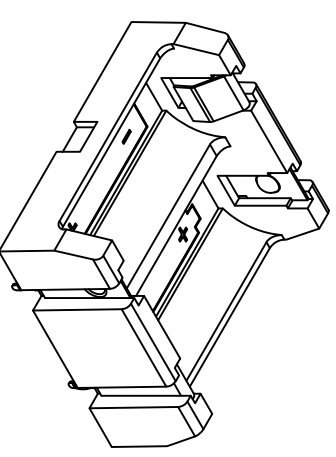
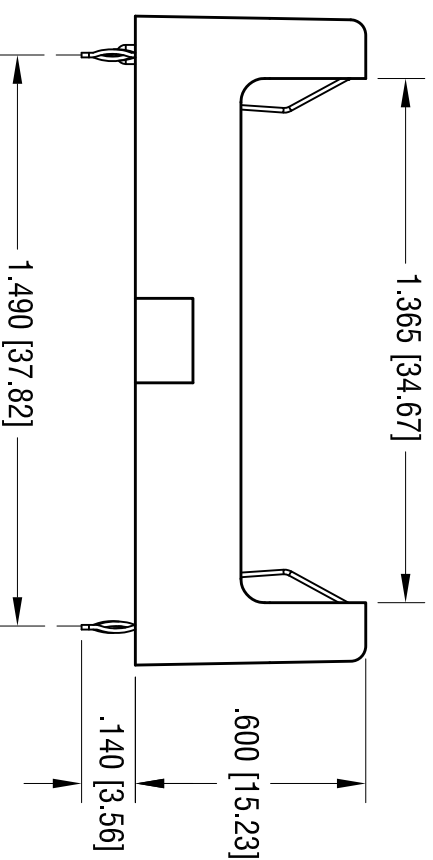
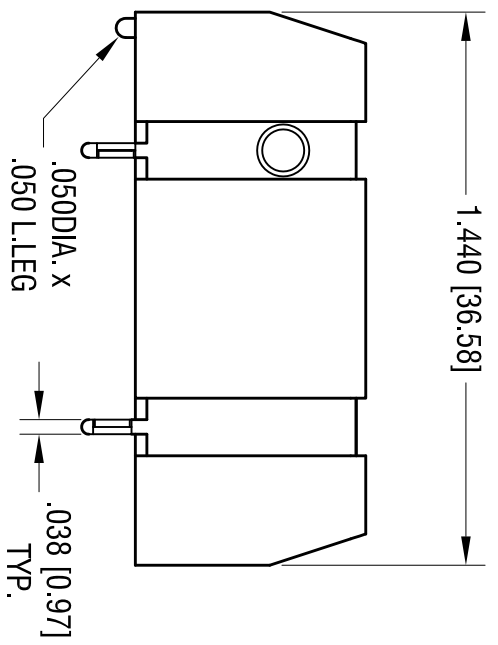
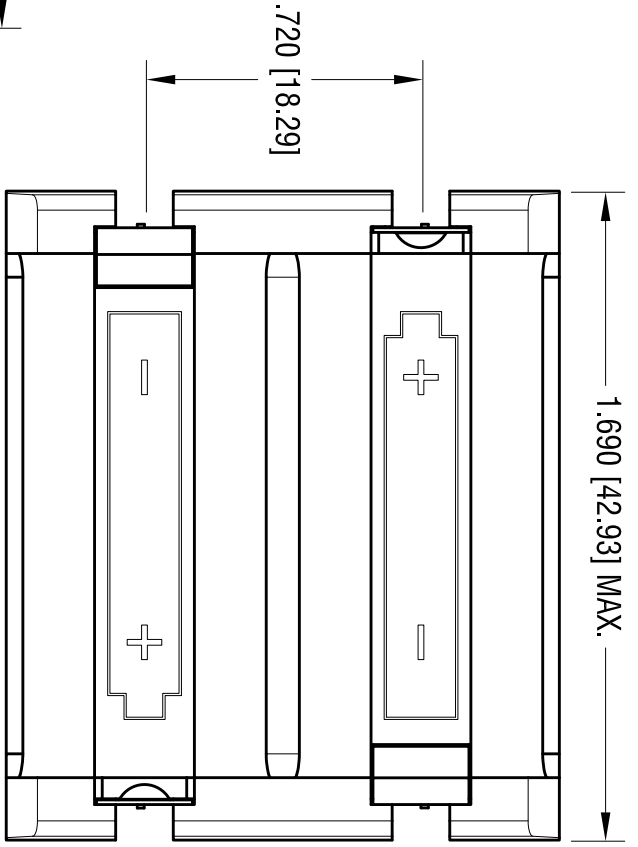
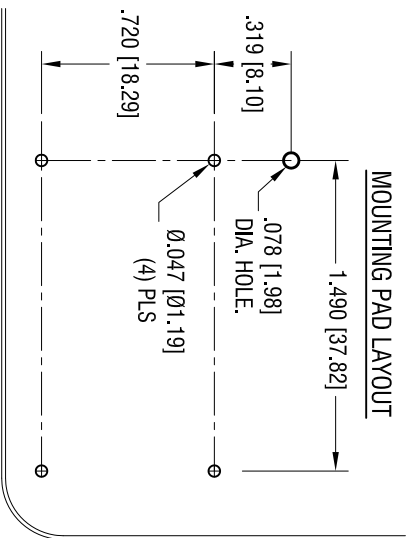


MOUNTING PAD LAYOUT



ACTUAL SIZE

NOTE:

- 1. BASE:
MAT'L: HEAT RESISTANCE NYLON (UL94V-0)
STANYL 46 OR EQUIVALENT
- 2. CONTACT:
MAT'L: .012 [0.30] THK STAINLESS STEEL
FINISH: TIN NICKEL PLATE

DATE

DESCRIPTION

REV.

KEYSTONE ELECTRONICS CORP.

www.keystec.com • ASTORIA, N.Y. 11105-2017 • Tel (718) 956-8900

PART NAME

SM POLARIZED HOLDER, (2) CR123A

MATERIAL

AS NOTED

FINISH

AS NOTED

TOLERANCES	INCH	[MM]	CODE	DWG NO.
DECIMAL	± .010	[±	C	1079
ANGULAR	± 1°]		
UNLESS OTHERWISE SPECIFIED				

THIS DOCUMENT IS THE PROPERTY OF KEYSTONE ELECTRONICS CORP. AND SHALL NOT BE REPRODUCED, DISTRIBUTED OR USED AS A BASIS FOR MANUFACTURE WITHOUT PRIOR WRITTEN PERMISSION FROM KEYSTONE ELECTRONICS CORP.

DRN BY: HAMILTON DATE: 12SEP14

APP'D: LN SCALE: 2X

Mouser Electronics

Authorized Distributor

Click to View Pricing, Inventory, Delivery & Lifecycle Information:

[Keystone Electronics:](#)

[1079](#)