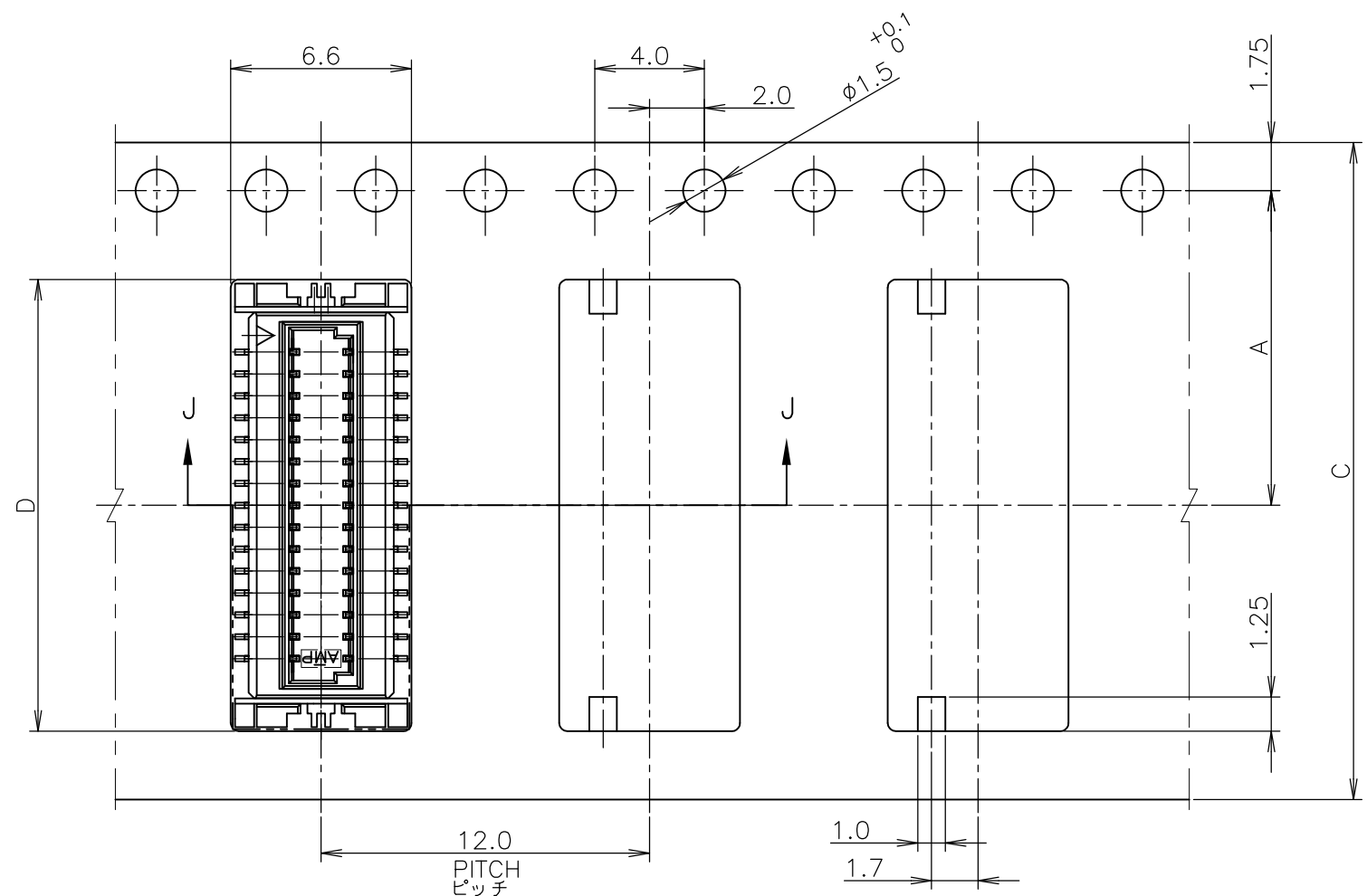
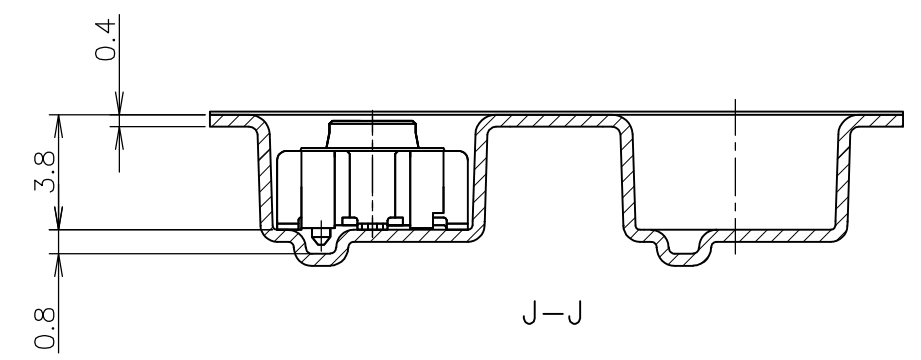


THIS DRAWING IS UNPUBLISHED. RELEASED FOR PUBLICATION DEC. 2004.
 © COPYRIGHT 2004 By - ALL RIGHTS RESERVED.

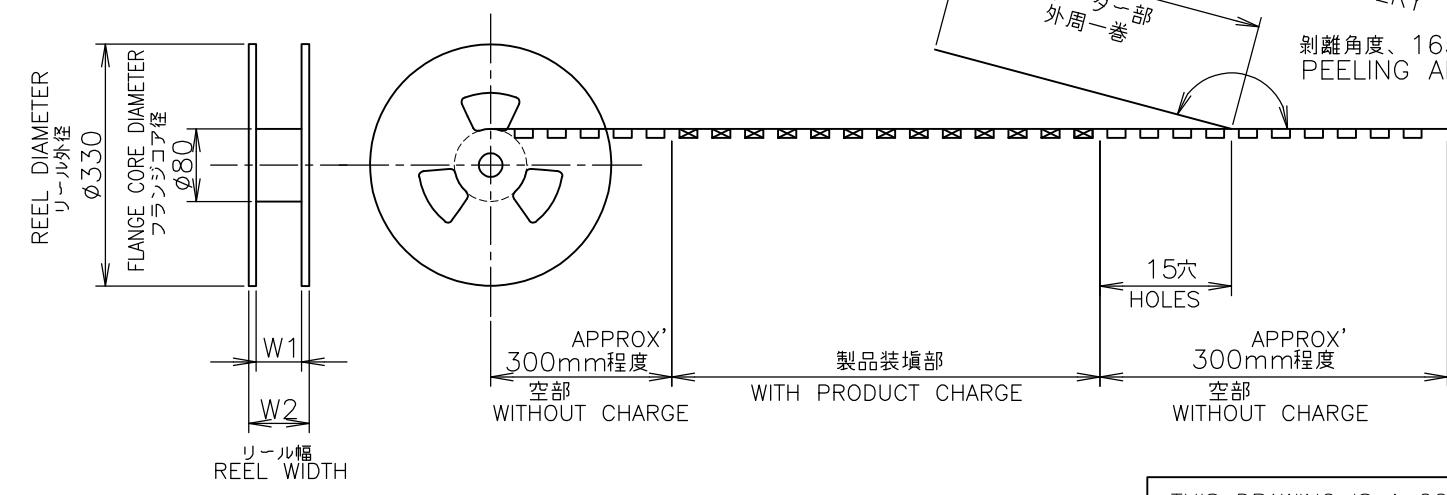
LOC	DIST	REVISIONS 変更			DATE	DWN	APVD
J		P	LTR	DESCRIPTION			
		A		RELEASED ECR-12-002087	02FEB12	I.T	S.Y



TOP OF REEL
引出し方向



WEEDING THE COVER TAPE AROUND THE OUTER PERIPHERY IN A TURN.
 カバーテープ
 リーダー部
 外周一卷
 剥離角度、165°~180°
 PEELING ANGLE.



INSTRUCTION SHEET 取扱説明書	411-5654	DIMENSIONS					数量 (ヶ) QTY/REEL	極数 POS	リール巻 コネクタ型番 TAPING P/N
		22.4	16.4	9.3	16	7.5	900	12	1-6376826-2
OBsolete		29.5	25.5	16.5	24	11.5	900	30	3-6376826-0

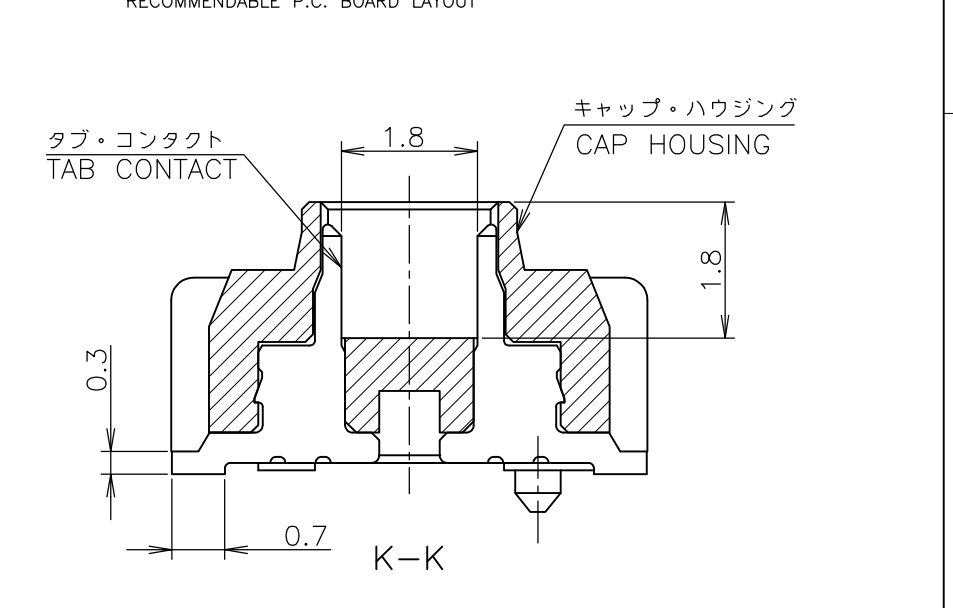
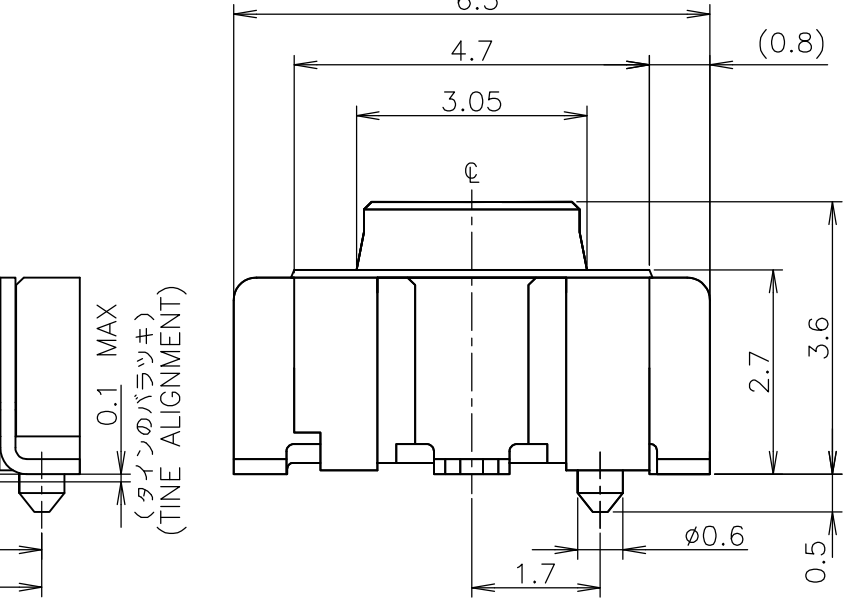
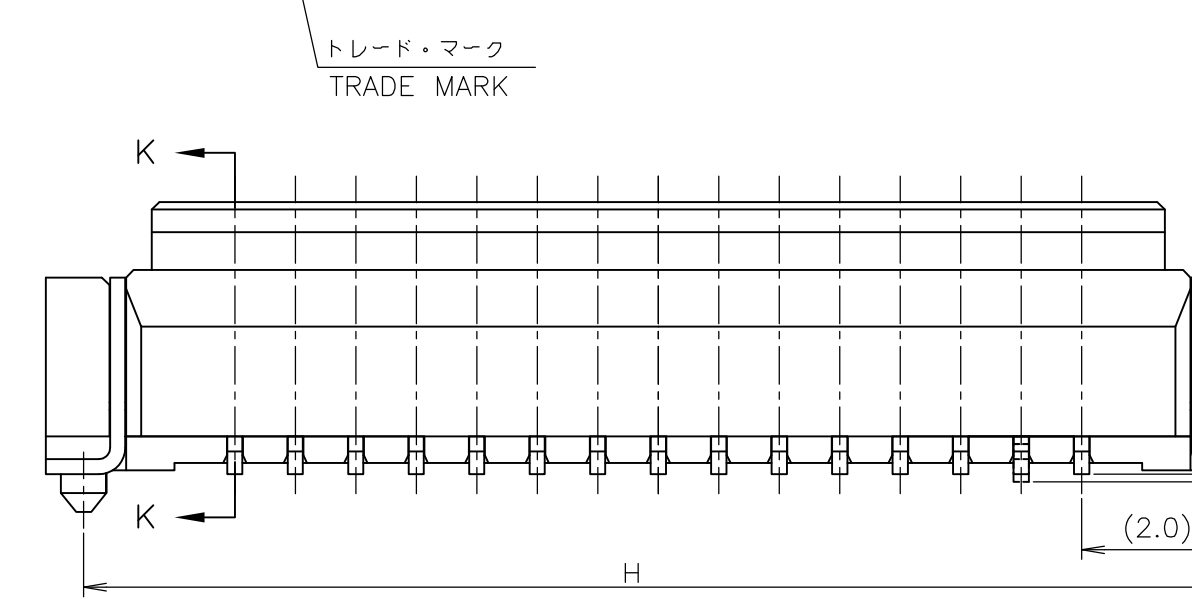
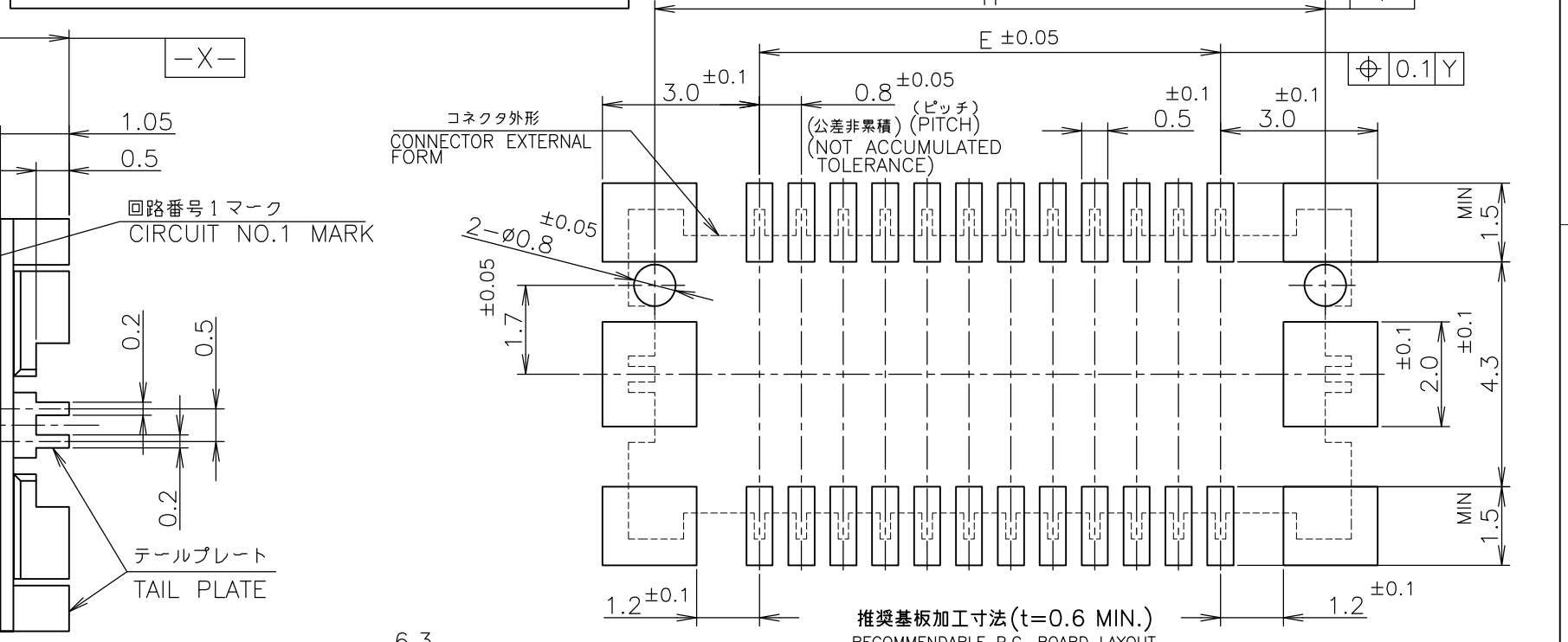
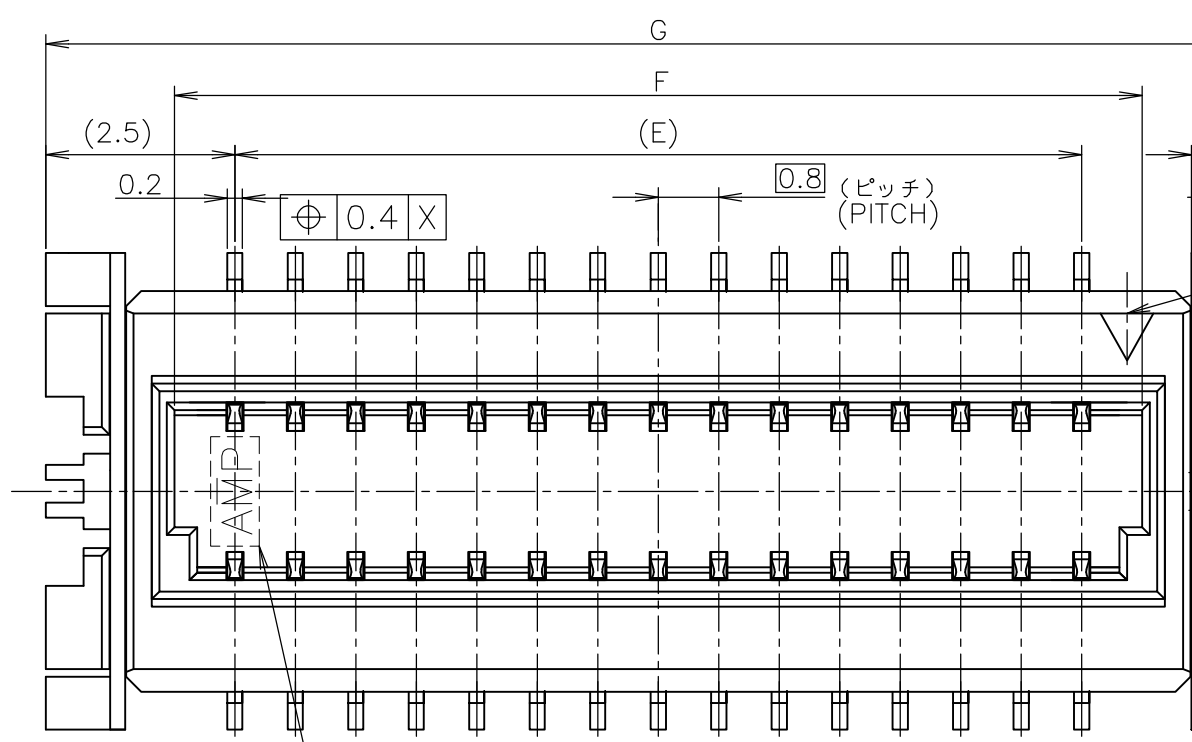
THIS DRAWING IS A CONTROLLED DOCUMENT.

DIMENSIONS: 単位: 耗 mm	TOLERANCES UNLESS OTHERWISE SPECIFIED: 一般公差	DWN M.IWASAKI 27DEC04	TE Connectivity	
	0 PLC ± 0.2 1 PLC ± 0.2 2 PLC ± 0.2 3 PLC ± 0.2 4 PLC ± 0.2 ANGLES ± 3°	CHK Y.NAKAZAWA 27DEC04		
MATERIAL 材料	FINISH 仕上	APVD T.KUSUHARA 27DEC04	PRODUCT SPEC 製品規格 108-5424	RESTRICTED TO
		APPLICATION SPEC 取付適用規格	WEIGHT	SIZE A3
				CAGE CODE 00779
				DRAWING NO C-6376826
				SCALE 尺度 4:1
				SHEET 1 OF 3
				REV A

CUSTOMER DRAWING

LOC	DIST	REVISIONS					
J		P	LTR	DESCRIPTION	DATE	DWN	APVD
		-		SEE SHEET 1	-	-	-

本図：コネクタ図
AS SHOWN: CONNECTOR DWG



⚠ 材料：ハウジング - 6T NYLON (高耐熱性ナイロン)
ガラス30%, 色：ベージュ
コンタクト - 燐青銅・錫めっき (0.2t)
テールプレート - 燐青銅・錫めっき (0.2t)

⚠ MATERIAL: HOUSING - 6T NYLON (HIGH HEAT-RESISTED NYLON), GF30%,
COLOR: BEIGE.
CONTACT - POST-TIN/PHOS-BROZ (0.2t)
TAIL PLATE - POST-TIN/PHOS-BROZ (0.2t)

	-	8	9	5.6	4	12	1-6376826-2
OBSOLETE	0.49	15.2	16.2	12.8	11.2	30	3-6376826-0
	重量(g) WEIGHT	H	G	F	E	極数 POS.	型番 PART NO.

THIS DRAWING IS A CONTROLLED DOCUMENT.

DIMENSIONS: 単位：mm	TOLERANCES UNLESS OTHERWISE SPECIFIED: 一般公差	DWN	STE TE Connectivity	
	0 PLC ± 0.2	CHK	NAME 名称	
	1 PLC ± 0.2	APVD	エンボス詰 キャップ・アッセンブリ (ボス付)	
	2 PLC ± 0.2	PRODUCT SPEC	ON TAPING EMBOSS CAP ASSEMBLY WITH BOSS	
3 PLC ± 0.2	3 PLC ± 0.2	108-5424	0.8mm PITCH FINE STACK CONNECTOR	
4 PLC ± 0.2	4 PLC ± 0.2	取付適用規格	MATING HEIGHT 4.2mm	
ANGLES ± 3'	FINISH 仕上	WEIGHT	SIZE	CAGE CODE
			A3	00779
			DRAWING NO 番号	
			G-6376826	
			RESTRICTED TO	
			SCALE 尺度	SHEET
			10:1	2 OF 3
				REV
				A

CUSTOMER DRAWING

THIS DRAWING IS UNPUBLISHED.

RELEASED FOR PUBLICATION DEC ,2004.

© COPYRIGHT 2004 By -

ALL RIGHTS RESERVED.

LOC J

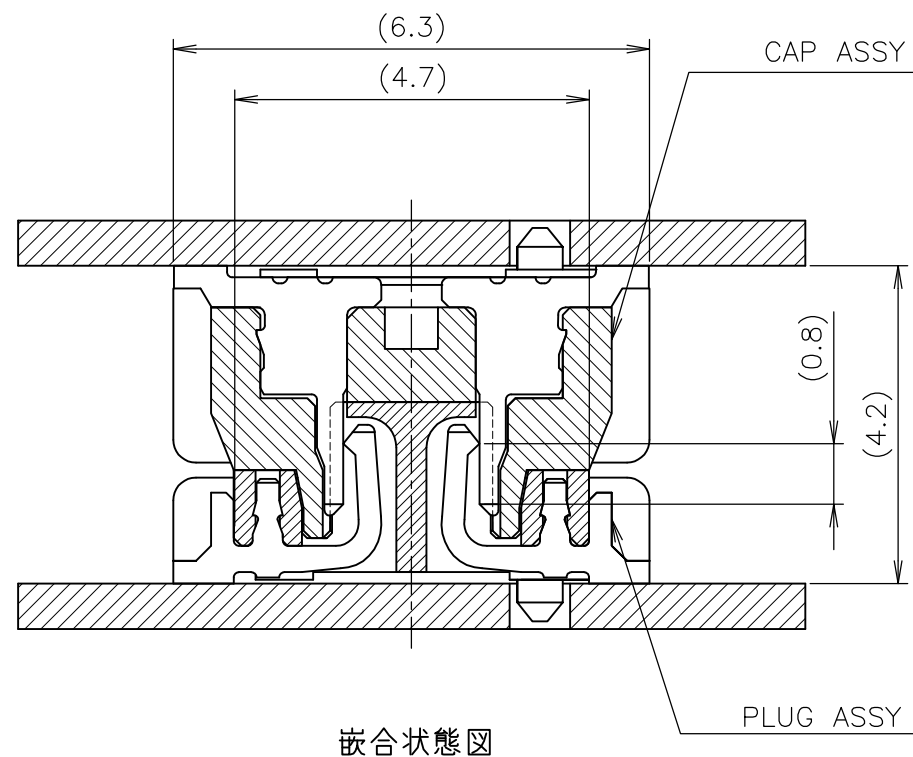
DIST

REVISIONS

変更

P	LTR	DESCRIPTION	DATE	DWN	APVD
-	-	SEE SHEET 1	-	-	-

0.8mm PITCH FINE STACK CONNECTOR
(MATING HEIGHT 4.2mm)



嵌合状態図

THIS DRAWING IS A CONTROLLED DOCUMENT.		DWN	STE TE Connectivity		
DIMENSIONS: 単位: 耗 mm		CHK			
TOLERANCES UNLESS OTHERWISE SPECIFIED: 一般公差		APVD	NAME 名称 エンボス詰 キャップ・アッセンブリ (ボス付) ON TAPING EMBOSS CAP ASSEMBLY WITH BOSS		
0 PLC ± 0.2		PRODUCT SPEC	0.8mm PITCH FINE STACK CONNECTOR		
1 PLC ± 0.2		製品規格	MATING HEIGHT 4.2mm		
2 PLC ± 0.2		108-5424	SIZE	CAGE CODE	DRAWING NO
3 PLC ± 0.2		APPLICATION SPEC	A3	00779	C-6376826
4 PLC ± 0.2		取付適用規格	RESTRICTED TO		
ANGLES ± 3°		WEIGHT	-		
MATERIAL 材料	FINISH 仕上	CUSTOMER DRAWING		SCALE 尺度 NTS	SHEET 3 OF 3
				REV A	

Mouser Electronics

Authorized Distributor

Click to View Pricing, Inventory, Delivery & Lifecycle Information:

[TE Connectivity:](#)

[1-6376826-2](#)