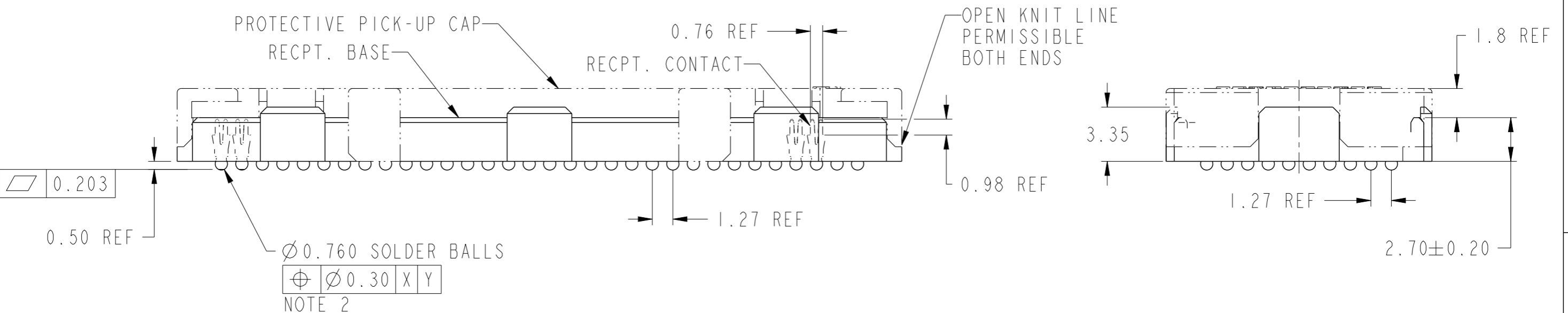
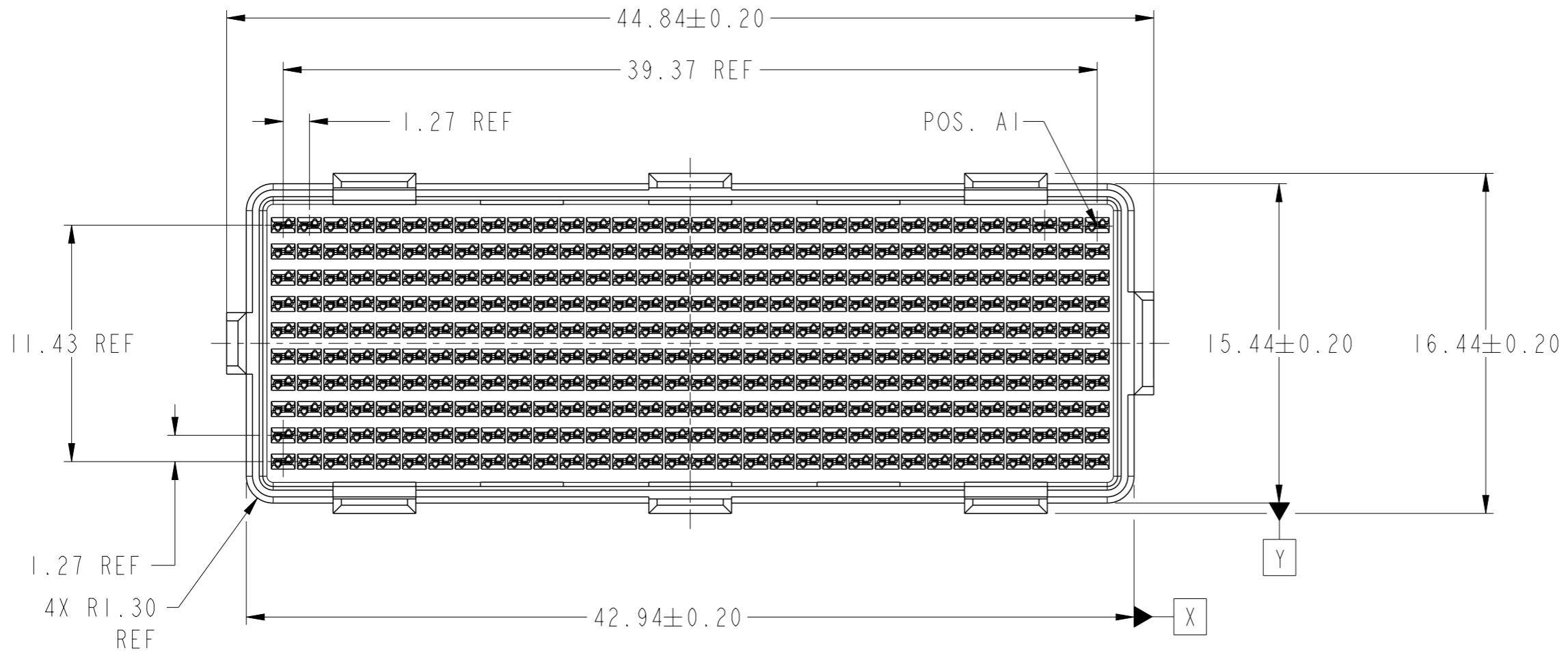


PRODUCT NUMBER
SEE SHEET 3



Copyright FCI.

spec ref	-	dr	Dave Horchler	2013/01/22	projection	mm	size	A3	scale	1:1		
tolerance std	ASME Y14.5	eng	Dave Horchler	2013/01/25			ecn no	-	rel level	Released		
TOLERANCES UNLESS OTHERWISE SPECIFIED		chr	-	apppr							R Marshall	2013/01/25
surface	3.2	linear	0.X	± 0.3		4mm RECEPTACLE ASSEMBLY - NATURAL 10 X 32 = 320 POS.	dwg no 10123982	rev A	ASME Y14.5			
		linear	0.XX	± 0.10					www.fci.com	cat. no.	Product - Customer Drw	sheet 1 of 3
		angular	0°	$\pm 2^\circ$								

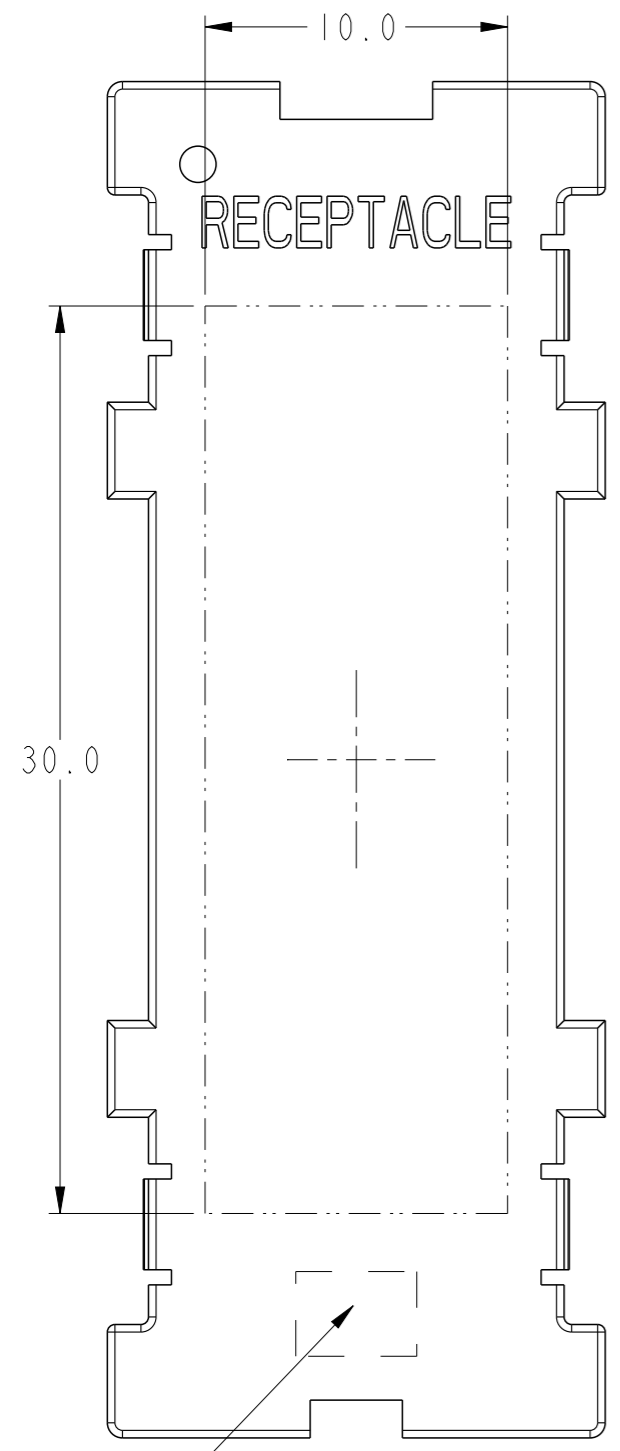
PRODUCT NUMBER
SEE SHEET 3

A

B

C

D

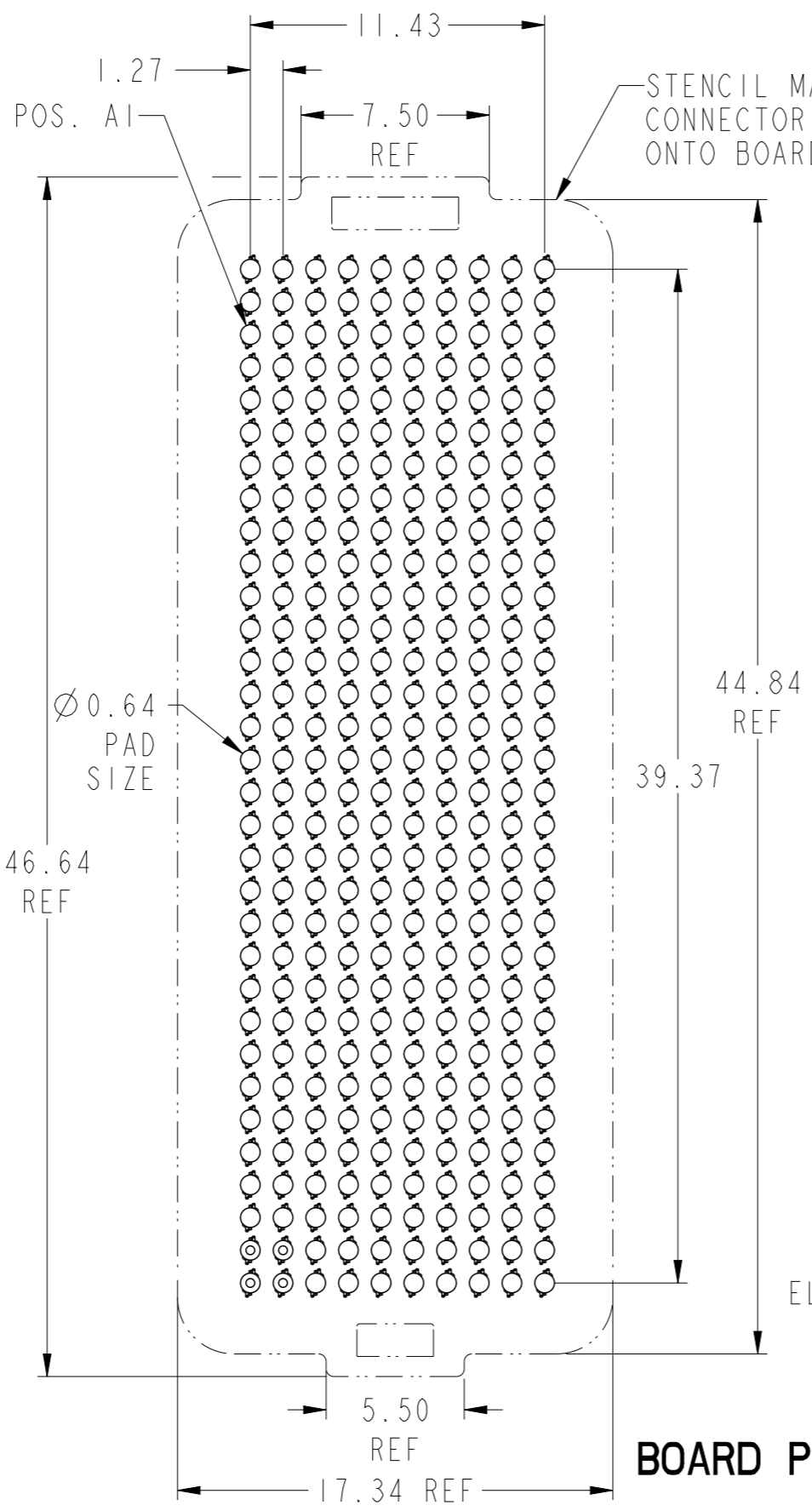


RECEPTACLE

30.0

NOTE 6

FLAT AREA FOR
PICK-UP CAP



BOARD PATTERN

44.84
REF

39.37

46.64
REF

Ø 0.64
PAD
SIZE

5.50
REF

17.34 REF

STENCIL MATED
CONNECTOR OUTLINE
ONTO BOARD

1.27

11.43

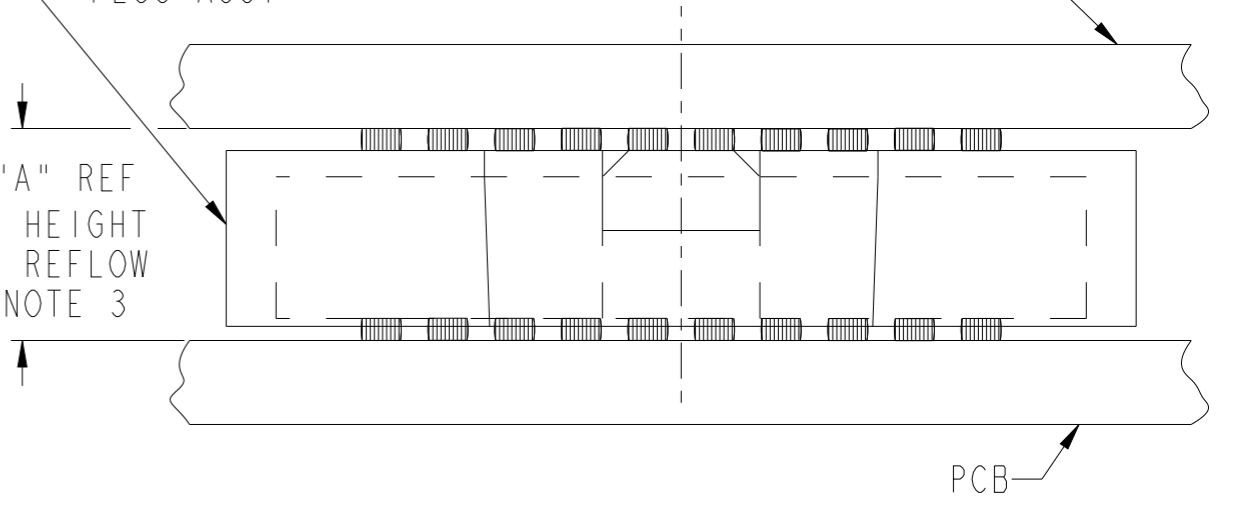
7.50
REF

POS. A1

PLUG ASSY

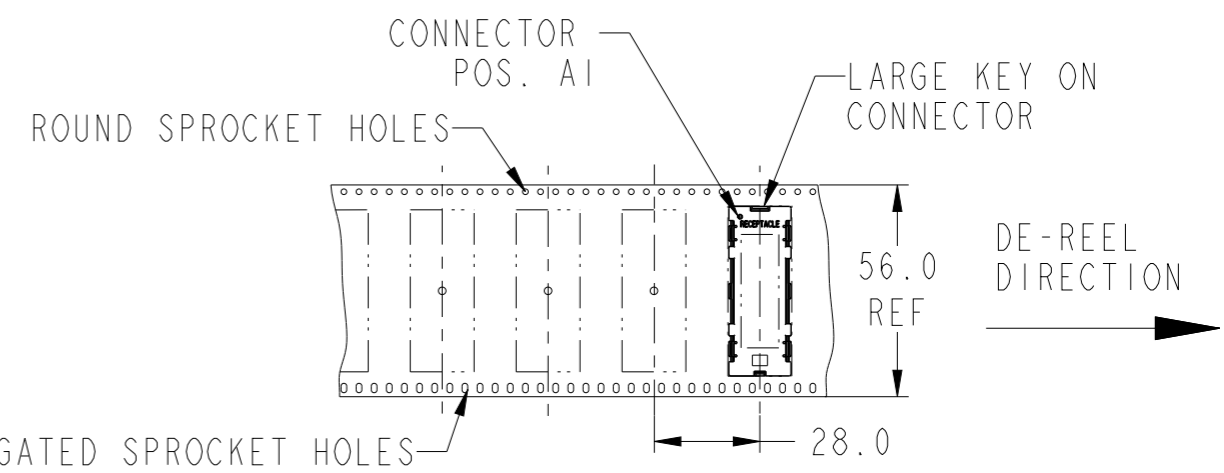
PCB

DIM "A" REF
MATED HEIGHT
AFTER REFLOW
SEE NOTE 3



MATED HEIGHT AFTER REFLOW IS BASED ON Ø 0.64mm PAD
(METAL-DEFINED) AND 0.13mm SOLDER PASTE STENCIL
THICKNESS. SEE NOTE 3

END VIEW - MATED CONNECTORS
SCALE NONE



TAPE & REEL PACKAGING
PER EIA 481-3
SCALE NONE

DE-REEL
DIRECTION

spec ref	-	dr	Dave Horchler	2013/01/22
tolerance std	ASME Y14.5	eng	Dave Horchler	2013/01/25
	TOLERANCES UNLESS OTHERWISE SPECIFIED	chr	-	-
		appr	R Marshall	2013/01/25
surface	3.2	linear	0.X	±0.3
			0.XX	±0.10
			0.XXX	±0.050
		angular	0°	±2°

projection	mm	size	A3	scale	1:1
product family	MEG-ARRAY	ecn no	-	rel level	Released
www.fci.com	4mm RECEPTACLE ASSEMBLY - NATURAL	dwg no	10123982	rev	A
cat. no.	-	Product - Customer Drw	sheet 2 of 3		

PRODUCT NUMBER	PICK-UP CAP (NATURAL OR BLACK IN COLOR)	CONTACT PLATING AND THICKNESS	SOLDER BALL	NOTES
10123982-001	YES	15u" (.38um) Au	SnPb	
10123982-001LF	YES	15u" (.38um) Au	LEAD FREE	5
10123982-091	YES	15u" (.38um) GXT	SnPb	
10123982-091LF	YES	15u" (.38um) GXT	LEAD FREE	5
10123982-101	YES	30u" (.76um) Au	SnPb	
10123982-101LF	YES	30u" (.76um) Au	LEAD FREE	5
10123982-191	YES	30u" (.76um) GXT	SnPb	
10123982-191LF	YES	30u" (.76um) GXT	LEAD FREE	5
10123982-201	YES	50u" (1.27um) Au SPECIAL	SnPb	7
10123982-201LF	YES	50u" (1.27um) Au SPECIAL	LEAD FREE	5 AND 7
10123982-291	YES	50u" (1.27um) GXT SPECIAL	SnPb	7
10123982-291LF	YES	50u" (1.27um) GXT SPECIAL	LEAD FREE	5 AND 7

NOTES:

- MATERIAL:
HOUSING: LCP-NATURAL COLOR
CONTACT: COPPER ALLOY

PLATING:
CONTACT: SEE TABLE FOR PLATING AND THICKNESS OPTIONS (OVER Ni UNDERPLATE)
SOLDER BALL: SnPb OR LEAD FREE (95.5Sn/4Ag/0.5Cu) OPTIONS, SEE TABLE.
- SOLDER BALLS WILL NOT HAVE PERFECT SPHERICAL SHAPES DUE TO REFLOW ATTACHMENT.
- MATED HEIGHT WHEN MATED WITH 10123981-XXX WILL BE APPROXIMATELY 4mm.
MATED HEIGHT WILL BE EFFECTED BY CUSTOMER'S PCB DESIGN AND REFLOW PROCESS.
- FOR PROPER APPLICATION FOLLOW FCI APPLICATION SPECIFICATION GS-20-033.
LEAD FREE SOLDER BALLS WILL NOT SOLDER PROPERLY IN A LEADED SOLDER PROCESS DUE TO A HIGHER REFLOW TEMPERATURE. LEAD FREE PRODUCT IS THEREFORE NOT BACKWARDS COMPATIBLE WITH LEADED OR SOME SOLDERING APPLICATIONS. REFERENCE FCI APPLICATION SPEC.
- THIS PRODUCT MEETS EUROPEAN UNION DIRECTIVES AND OTHER COUNTRY REGULATIONS AS DESCRIBED IN GS-47-0004. PRODUCT MEETING THIS DIRECTIVE IS IDENTIFIED IN THE LOT CODE NUMBER MARKED ON EACH PART BY HAVING AN "X" IN THE SEVENTH CHARACTER POSITION.
- CURRENT COMPANY LOGO TO BE VISIBLE IN APPROXIMATE AREA SHOWN.
- PLATING FOR THE -2XX SERIES OF PRODUCT NUMBERS MEET THE REQUIREMENTS OF GR-1217-CORE, CENTRAL OFFICE ENVIRONMENT, (25 YEAR LIFE EXPECTANCY). THE CONTACTS IN THESE PRODUCT NUMBERS ALSO HAVE SPECIAL CONTACT GEOMETRY.



Copyright FCI.

spec ref	-	dr	Dave Horchler	2013/01/22	projection	mm	size	A3	scale	1:1
tolerance std	ASME Y14.5	eng	Dave Horchler	2013/01/25			ecn no	-	rel level	Released
TOLERANCES UNLESS OTHERWISE SPECIFIED		chr	-	-			product family	MEG-ARRAY	rel level	Released
surface	3.2	appr	R Marshall	2013/01/25			4mm RECEPTACLE ASSEMBLY -NATURAL	10123982	rev	A
ASME Y14.5	angular	0°	±2°	www.fci.com	cat. no.	-	Product - Customer Drw	sheet 3 of 3		

Mouser Electronics

Authorized Distributor

Click to View Pricing, Inventory, Delivery & Lifecycle Information:

[FCI / Amphenol:](#)

[10123982-101LF](#) [10123982-201](#) [10123982-201LF](#)