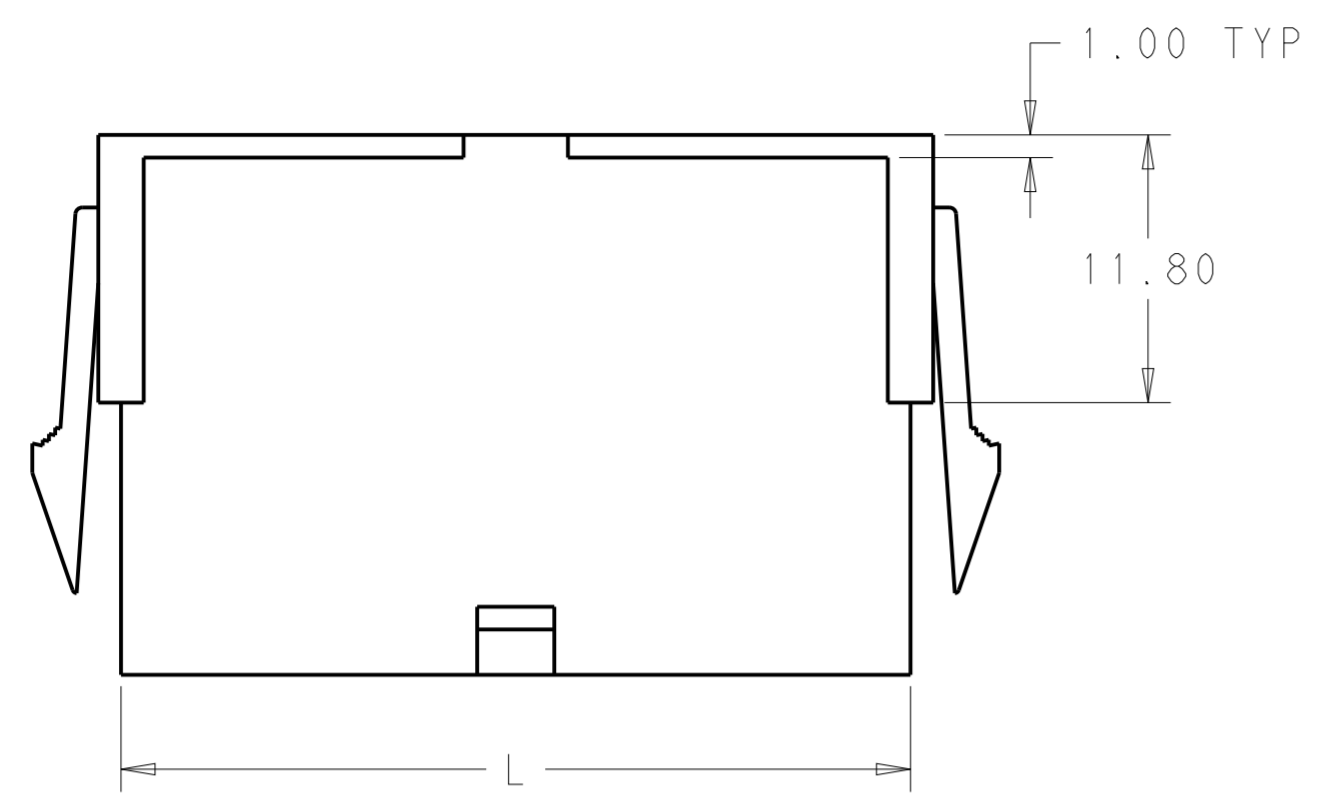
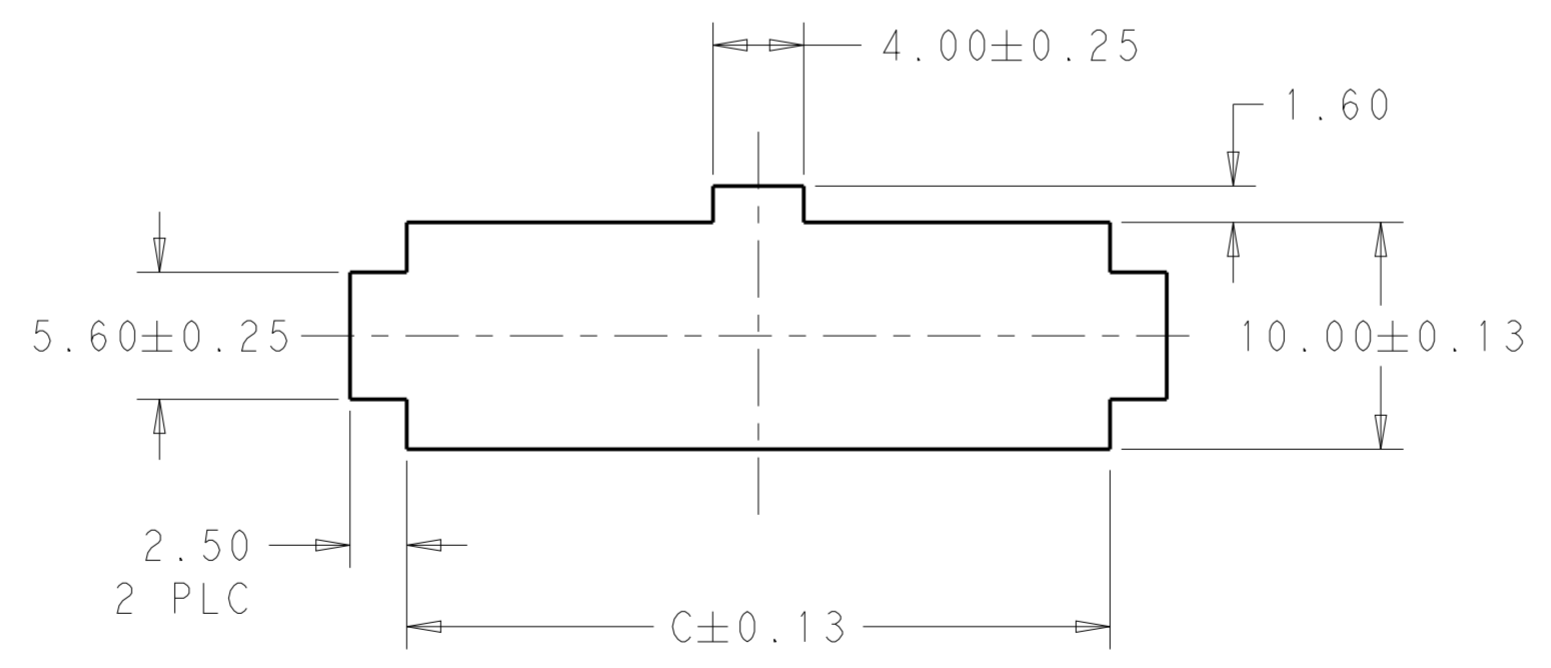
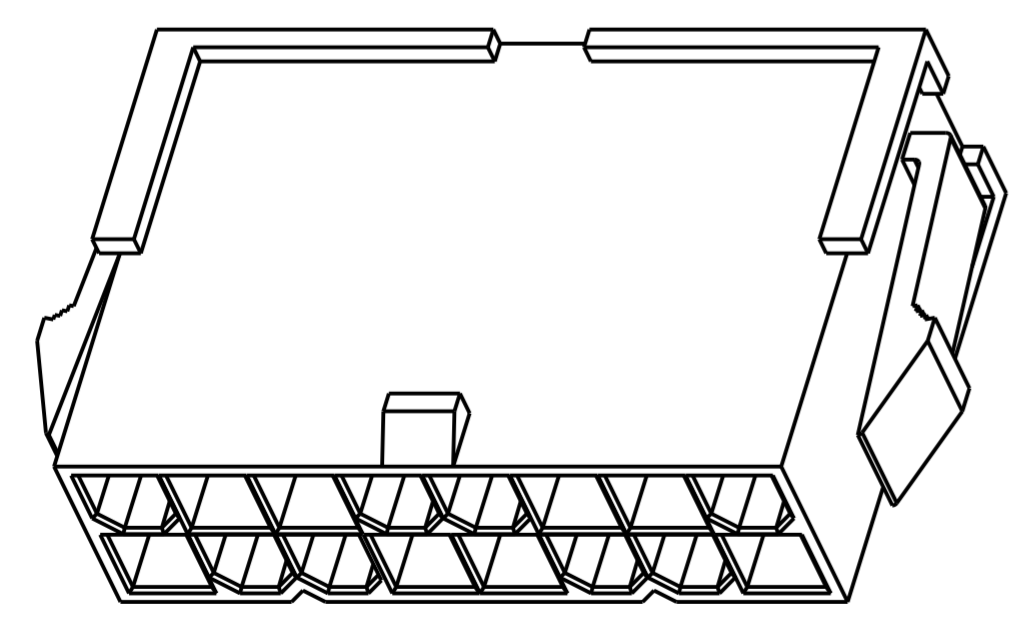
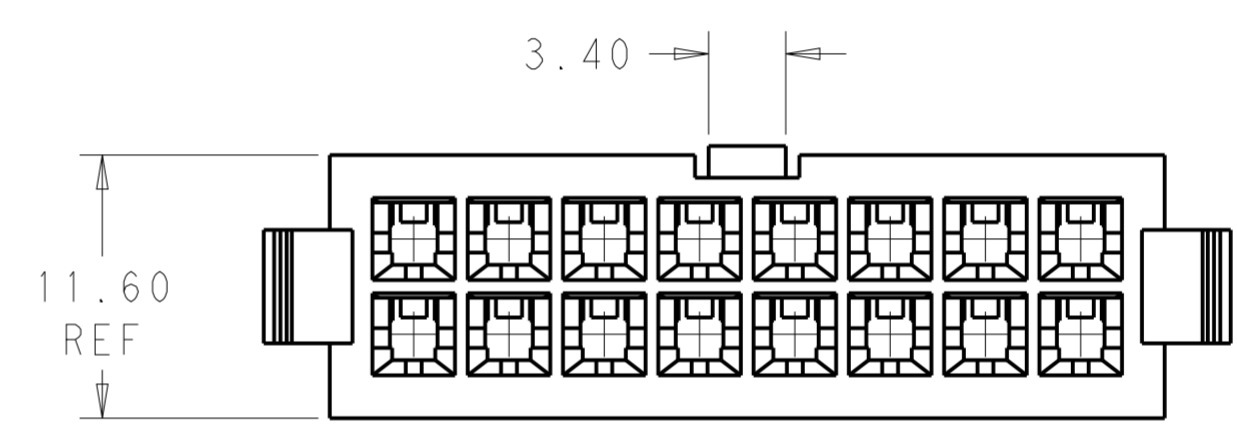
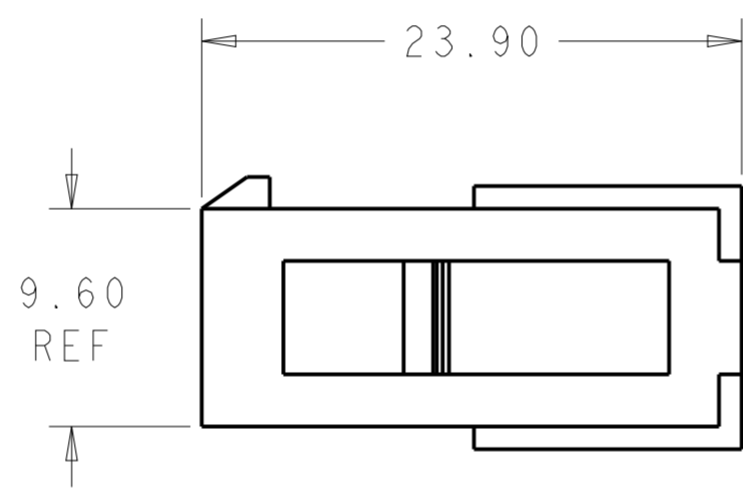
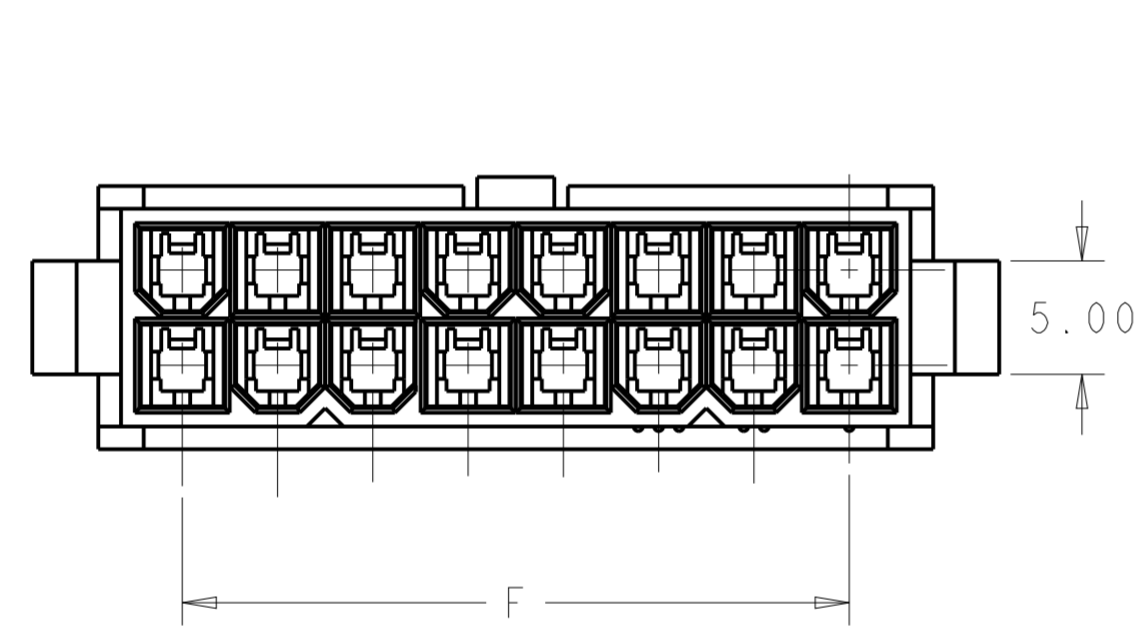


THIS DRAWING IS UNPUBLISHED. RELEASED FOR PUBLICATION 20
 © COPYRIGHT 20 BY - ALL RIGHTS RESERVED.

| LOC | | DIST | | REVISIONS | | | |
|-----|-----|-------------|---------------------------|-----------|------|----|--|
| P | LTR | DESCRIPTION | DATE | DWN | APVD | | |
| AF | - | A1 | REVISED PER ECR-14-004708 | 28MAR14 | JR | KR | |



- 1 POLYAMIDE, UL94V-2, COLOR- WHITE
- 2 FLAMMABILITY V2 FOR THICKNESS 0.38mm, 1.5mm NAD 3.0mm PER IEC 60695-11-10.
- 3 GLOW-WIRE FLAMMABILITY (GWFI) 800°C FOR THICKNESS 0.38mm AND 0.75mm PER IEC 60695-2-12.
- 4 GLOW-WIRE FLAMMABILITY (GWFI) 960°C FOR THICKNESS 1.5mm AND 3.0mm PER IEC 60695-2-12.
- 5 GLOW-WIRE IGNITION (GWIT) 825°C FOR THICKNESS 0.38mm, 0.75mm, 1.5mm AND 3.0mm PER IEC 60695-2-13.
- 6 COMPLY WITH GLOW WIRE REQUIREMENTS FOR PARTS OF NON-METALLIC MATERIAL SUPPORTING A CURRENT-CARRYING CONNECTION DETAILED IN IEC 60335-1, SECTION 30(GWT).



RECOMMENDED CUT-OUT FOR 2.00 MAX THICK PANEL

PANEL MUST BE PUNCHED OUT SO THAT THE HOUSING ENTERS THE PANEL IN THE SAME DIRECTION AS THE PUNCH.

| 52.00 | 46.2 | 51.60 | 24 | 2-1969605-4 |
|-------|-------|-------|------------|-------------|
| 47.80 | 42.0 | 47.40 | 22 | 2-1969605-2 |
| 43.60 | 37.8 | 43.20 | 20 | 2-1969605-0 |
| 39.40 | 33.6 | 39.00 | 18 | 1-1969605-8 |
| 35.20 | 29.4 | 34.80 | 16 | 1-1969605-6 |
| 31.00 | 25.2 | 30.60 | 14 | 1-1969605-4 |
| 26.80 | 21.0 | 26.40 | 12 | 1-1969605-2 |
| 22.60 | 16.8 | 22.20 | 10 | 1-1969605-0 |
| 18.40 | 12.6 | 18.00 | 8 | 1969605-8 |
| 14.20 | 8.4 | 13.80 | 6 | 1969605-6 |
| 10.00 | 4.2 | 9.60 | 4 | 1969605-4 |
| 5.80 | -- | 5.40 | 2 | 1969605-2 |
| DIM C | DIM F | DIM L | NO. OF POS | PART NO. |

THIS DRAWING IS A CONTROLLED DOCUMENT.

| | | | |
|----------------|--|------------------------------|--|
| DIMENSIONS: mm | TOLERANCES UNLESS OTHERWISE SPECIFIED: | DWN: JR RUTH 26SEPT13 | TE Connectivity |
| | 0 PLC ± | CHK: KURT RANDOLPH 26SEPT13 | |
| | 1 PLC ± | APVD: KURT RANDOLPH 26SEPT13 | |
| | 2 PLC ±0.25 | NAME: KURT RANDOLPH | |
| | 3 PLC ± | PRODUCT SPEC: - | PANEL MOUNT PLUG HOUSING VAL-U-LOK, GLOW WIRE |
| | 4 PLC ± | APPLICATION SPEC: - | SIZE: A200779 C-1969605 |
| | ANGLES ± | WEIGHT: - | RESTRICTED TO: - |
| MATERIAL: | FINISH: ± | Customer Drawing | SCALE: 3:1 SHEET 1 OF 1 REV A1 |

Mouser Electronics

Authorized Distributor

Click to View Pricing, Inventory, Delivery & Lifecycle Information:

[TE Connectivity:](#)

[1-1969605-0](#)