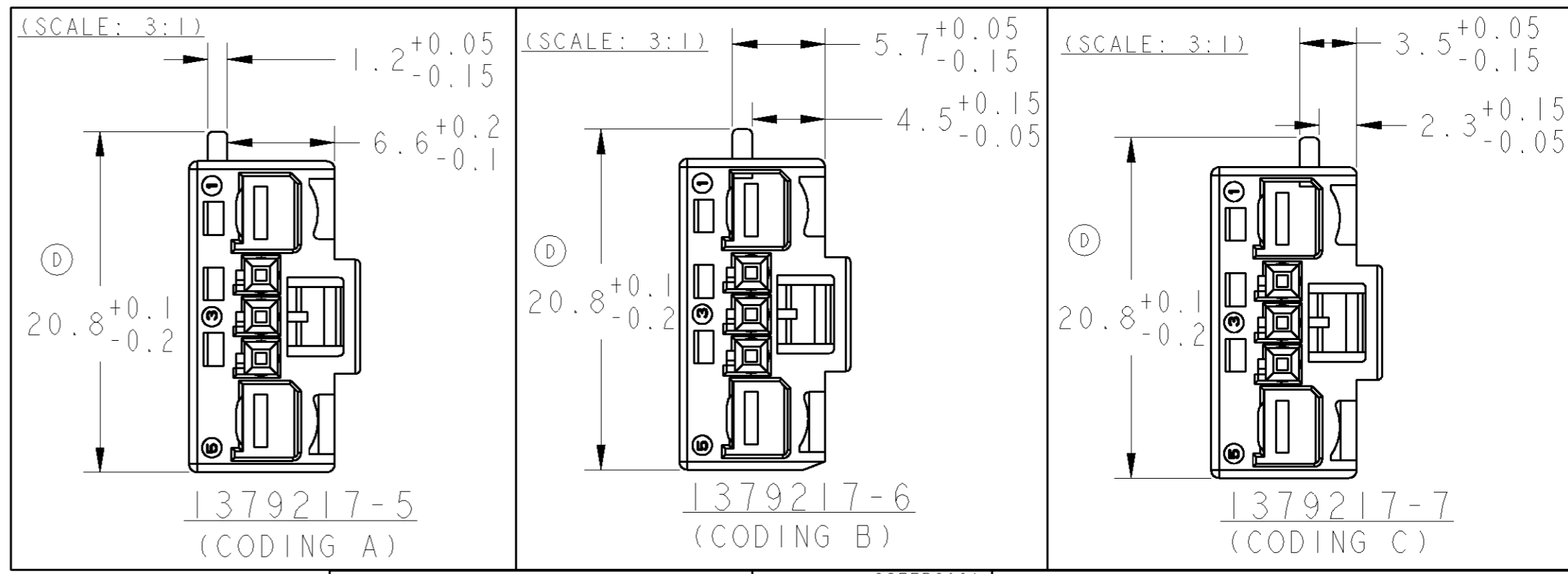
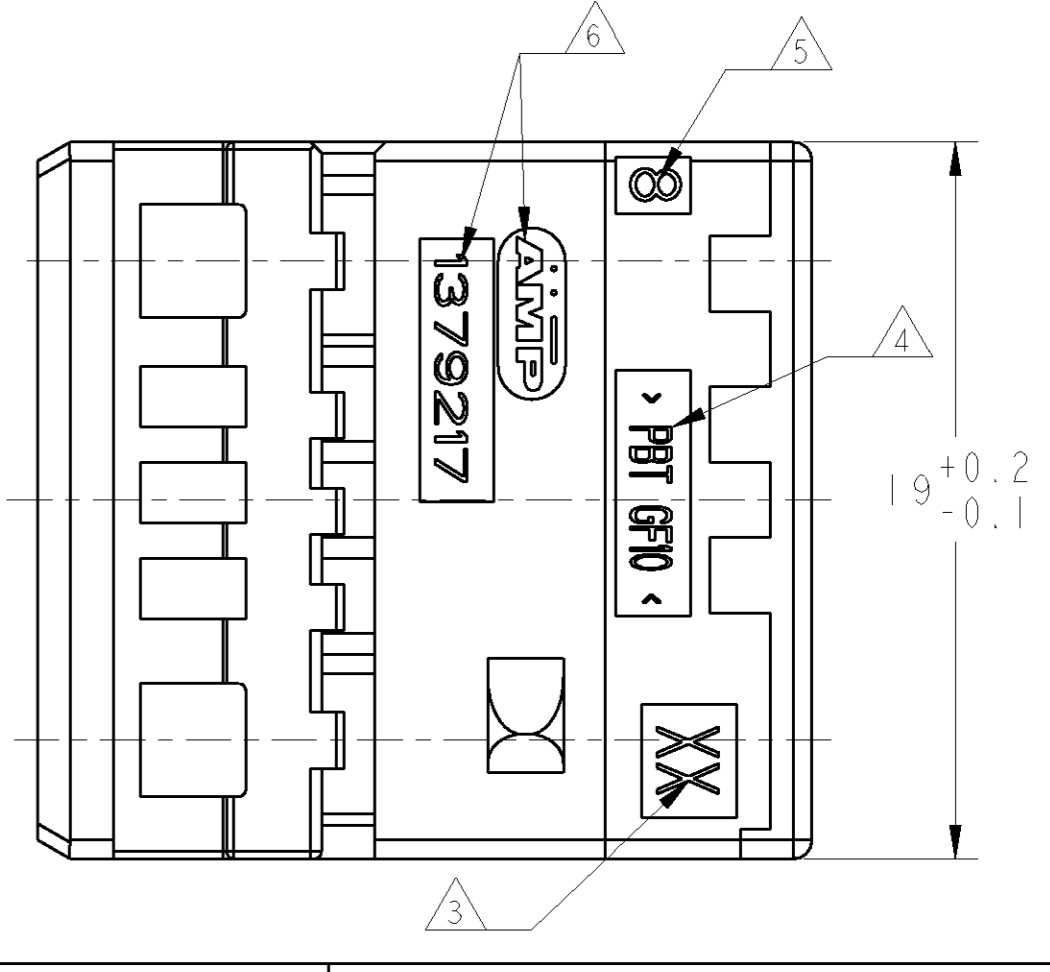
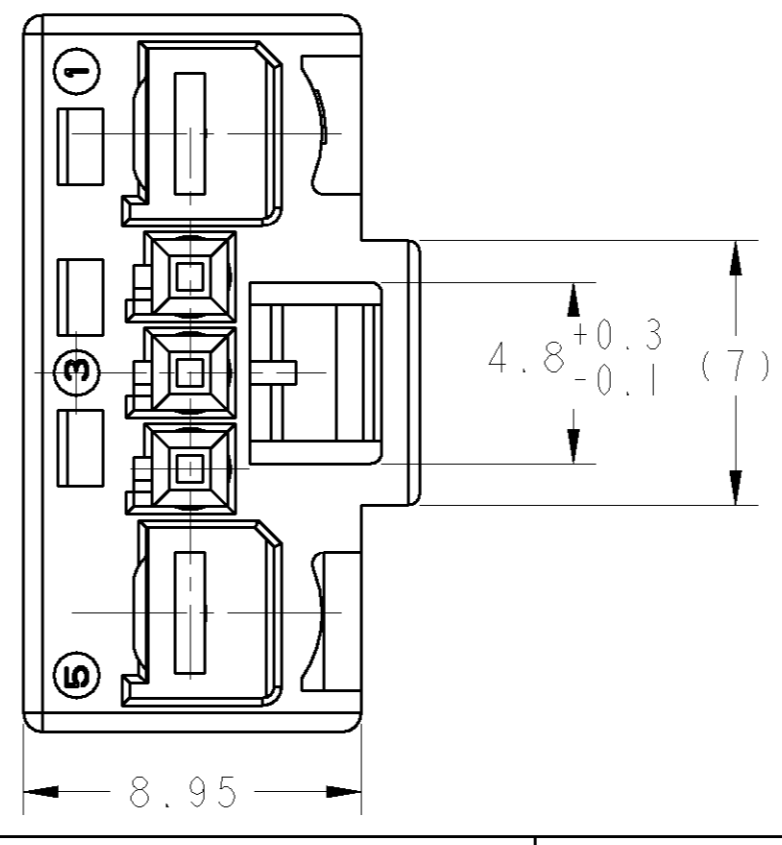
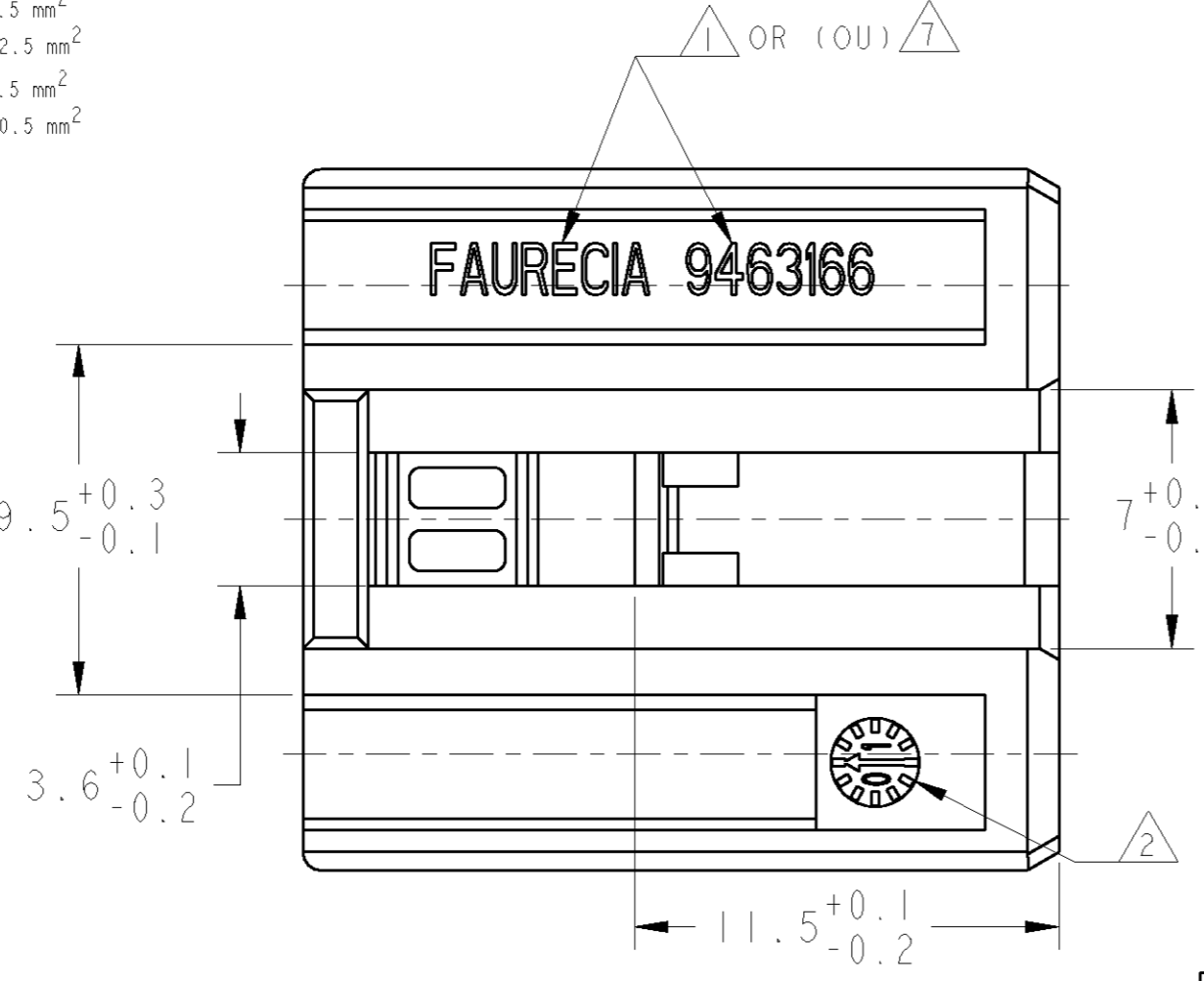
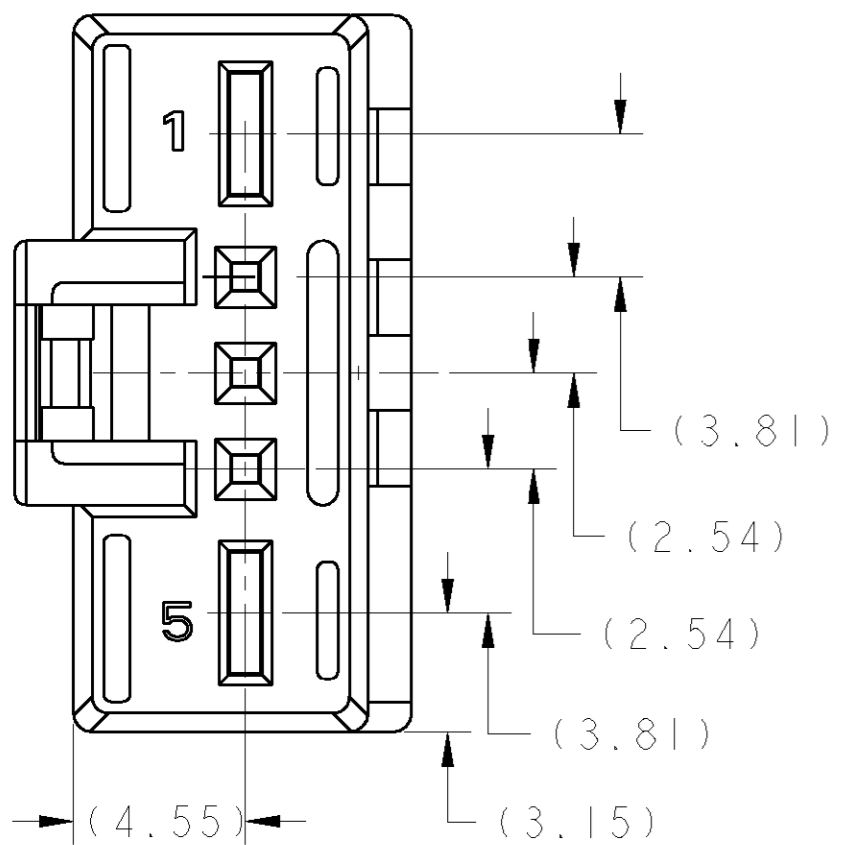
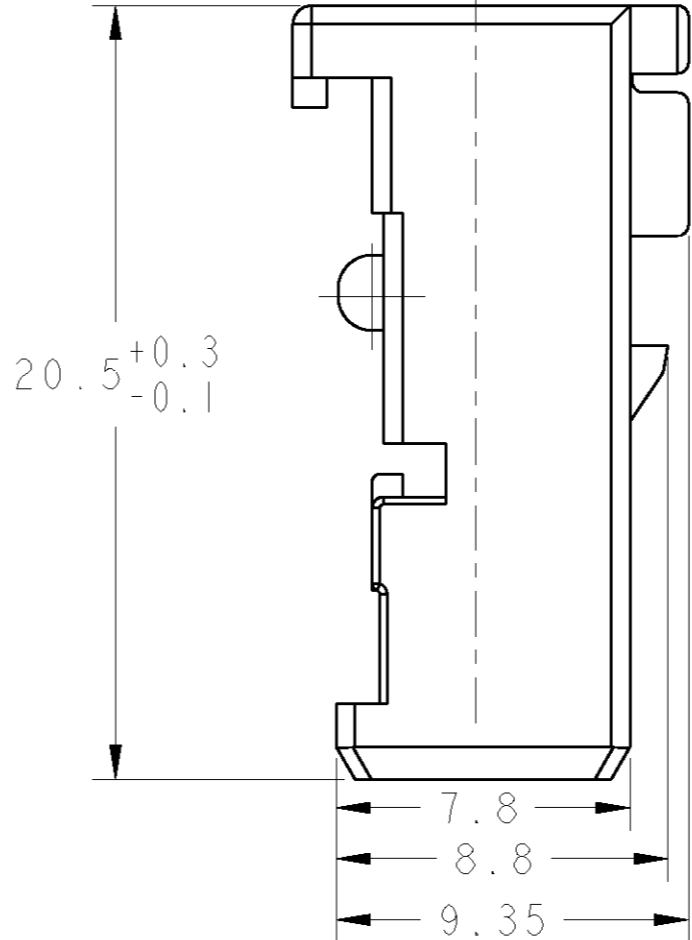


THIS DRAWING IS UNPUBLISHED.
 DIFFUSION RESTREINTE
 RELEASED FOR PUBLICATION
 LIBRE A LA DIFFUSION
 20
 ALL RIGHTS RESERVED.
 TOUS DROITS RESERVES

LOC		DIST		REVISIONS				DATE	DWN	APVD
F	LTR	P	DESCRIPTION	MODIFICATIONS	DATE	DWN	APVD	DESS.	APP.	
F	14	D1	REVISED PER ECO-11-005150		20APR11	RK	HMR			

- NOTES:
- 1 VERSION WITH THE SYMBOL & P/N OF FAURECIA
VERSION AVEC LE SIGLE & REFERENCE DE FAURECIA
 - 2 CODING DATE
DATE CODE
 - 3 REVISION STATUT OF THE MOLD
REVISION DU MOULE
 - 4 MATERIAL IDENTIFICATION
MARQUAGE DE MATIERE
 - 5 CAVITY MARKING
NUMERO D' EMPREINTE DU MOULE
 - 6 LOGO & P/N OF TE CONNECTIVITY (AMP)
LOGO & REFERENCE DE TE CONNECTIVITY (AMP)
 - 7 VERSION WITHOUT THE SYMBOL & P/N OF FAURECIA
VERSION SANS LE SIGLE & REFERENCE DE FAURECIA
 - 8 FOR THE CONNECTOR INTERFACE, SEE THE DRW OF P/N 208-15621
POUR L' INTERFACE DE CONNECTEUR, VOIR PLAN DE REF. 208-15621
 - 9 CAVITY 1 & 5 SUITABLE TO WIRE SIZE RANGE 0.75 TO 2.5 mm²
ALVEOLES 1 & 5 ADAPTEES AUX JAUGES DE FILS 0.75 A 2.5 mm²
 - 10 CAVITY 2,3,4 SUITABLE TO WIRE SIZE RANGE 0.25 TO 0.5 mm²
ALVEOLES 2,3,4 ADAPTEES AUX JAUGES DE FILS 0.25 A 0.5 mm²



1379217-7	-	BLUE (BLEU) ①	C	VALEO ①	
1379217-6	-	WHITE (BLANC)	B		
1379217-5	-	BLACK (NOIR)	A		
1379217-4	-	WHITE (BLANC)	NEUTRAL (NEUTRE)	FAURECIA ①	
1379217-3	-	BLACK (NOIR)			
1379217-2	9463166-2	WHITE (BLANC)			
1379217-1	9463166-1	BLACK (NOIR)			
TE CONNECTIVITY PART NO. (REF. TE CONNECTIVITY)	FAURECIA P/N (REF. FAURECIA)	COLOR (COULEUR)	CODING (DETROMPAGE)	PART NUMBER RESTRICTED ONLY TO (REFERENCE RESERVEE UNIQUEMENT A)	

DIMENSIONS: mm		TOLERANCES UNLESS OTHERWISE SPECIFIED: (SUIV. NB. DE DECIMALES)		DWN / DESSINE NT NGUYEN 22FEB2001		STE TE Connectivity	
MATERIAL / MATIERE PBT GF10		FINISH / FINITION		CHK / VERIFIE J. LAQUERBE 27JUN2001			
APPROVALS		TOLERANCES UNLESS OTHERWISE SPECIFIED: (SUIV. NB. DE DECIMALES)		APVD / APPROUVE S. KUGENER 27JUN2001		NAME / TITRE	
SPEC. PRODUCT 108-15315		SPEC. APPLICATION		PRODUCT SPEC 108-15315		PORTE-CLIPS 3V MQS + 2V MPQ MQS 3W + MPQ 2W SOCKET HOUSING	
WEIGHT / MASSE APPROX. 1.80g		SCALE / ECHELLE 5:1		CAGE CODE / CODE CAGE A2 00779		DRAWING NO. / No PLAN C-1379217	
CUSTOMER DRAWING / PLAN CLIENT		UNIQUEMENT POUR REFERENCE		SHEET / FEUILLE		REV D1	