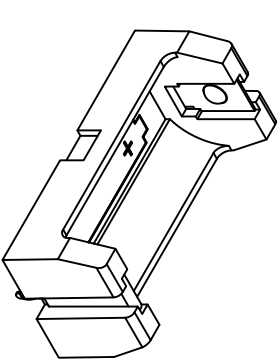
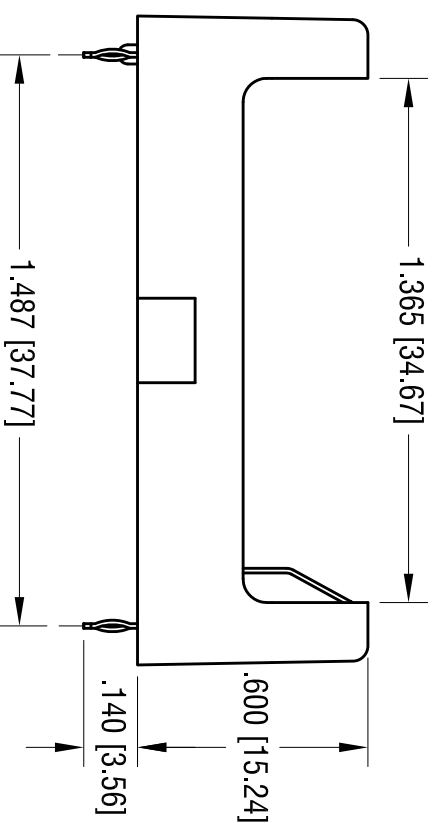
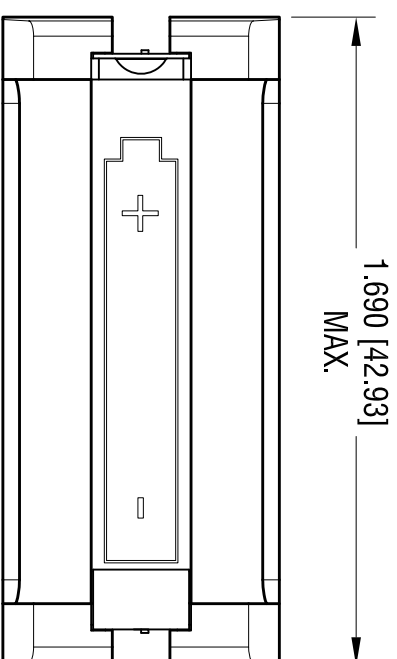
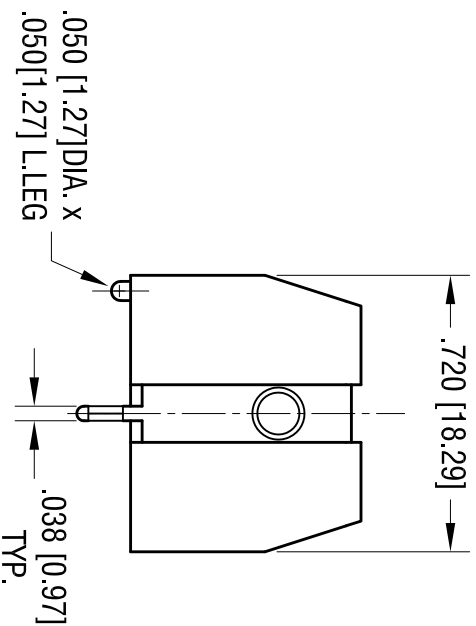
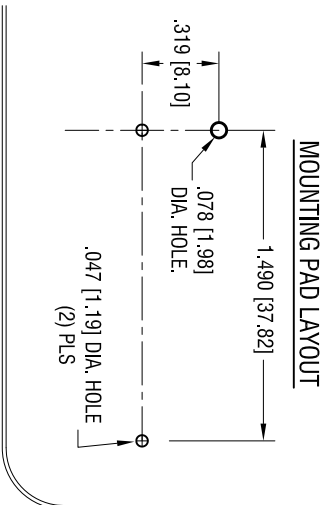


**MOUNTING PAD LAYOUT**



DATE	DESCRIPTION	REV.
10.08.13	CHANGE AS PER ECN 13-091	A

**KEYSTONE ELECTRONICS CORP.**  
 www.keystone.com • ASTORIA, N.Y. 11105-2017 • Tel (718) 956-8900

**PART NAME**  
 THM POLARIZED HOLDER, CR123A

**MATERIAL**  
 AS NOTED

**FINISH**  
 AS NOTED

TOLERANCES	INCH	[MM]	CODE	DWG NO.
DECIMAL	± .010	[± 0.25]	C	1051
ANGULAR	± 1°			

- NOTE:**
1. BASE:  
 MAT'L: HEAT RESISTANCE NYLON (UL94V-0)  
 STANYL 46 OR EQUIVALENT
  2. CONTACT:  
 MAT'L: .012 [0.30] THK STAINLESS STEEL  
 FINISH: TIN NICKEL PLATE.

THIS DOCUMENT IS THE PROPERTY OF  
 KEYSTONE ELECTRONICS CORP. AND  
 SHALL NOT BE REPRODUCED, DISTRIBUTED  
 OR USED AS A BASIS FOR MANUFACTURE  
 WITHOUT PRIOR WRITTEN PERMISSION  
 FROM KEYSTONE ELECTRONICS CORP.

DRN BY: NT  
 DATE: 1.13.12

App'D: LN  
 SCALE: 2X