

16P FH PLUG VAL-U-LOK FH GW ✓ ACTIVE



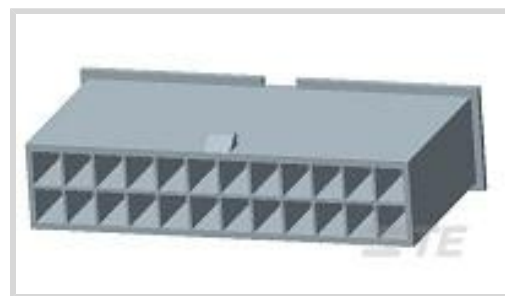
VAL-U-LOK

TE Part # 1-1969604-6

TE Internal #: 1-1969604-6

[View on TE.com >](#)

Connectors > Power Connectors > Rectangular Power > Rectangular Power Connectors



Product Type: **Housing**

Housing Type: **Plug**

Connector System: **Wire-to-Wire**

Number of Positions: **16**

Centerline (Pitch): **4.2 mm [.165 in]**

Features

Product Type Features

Product Type	Housing
Housing Type	Plug
Connector System	Wire-to-Wire
Sealable	No
Connector & Contact Terminates To	Wire & Cable
Contact Type	Pin

Configuration Features

Number of Positions	16
Number of Rows	2
Row-to-Row Spacing	.165 mm[4.2 in]

Electrical Characteristics

Operating Voltage	600 VAC
-------------------	---------

Contact Features

Contact Retention	Without
-------------------	---------

Termination Features

Termination Method to Wire & Cable	Crimp
------------------------------------	-------

Mechanical Attachment

Connector Mounting Type	Cable Mount (Free-Hanging)
-------------------------	----------------------------

Housing Features



Centerline (Pitch)	4.2 mm[.165 in]
UL Flammability Rating	UL 94V-2
Housing Color	White
Housing Material	Polyamide

Dimensions

Height	9.6 mm[.378 in]
Length	34.8 mm[1.3701 in]
Width	23.8 mm[.937 in]

Usage Conditions

Operating Temperature Range	-40 – 105 °C[-40 – 221 °F]
-----------------------------	----------------------------

Operation/Application

Circuit Application	Power & Signal
---------------------	----------------

Industry Standards

Glow Wire Rating	GWT 750°C (Without Flame)
UL Rating	Recognized
Agency/Standard Number	E28476
CSA File Number	208567
Agency/Standard	CSA, UL

Packaging Features

Packaging Method	Bag
Packaging Quantity	500

Product Compliance

[For compliance documentation, visit the product page on TE.com>](#)

EU RoHS Directive 2011/65/EU	Not Yet Reviewed
EU ELV Directive 2000/53/EC	Not Yet Reviewed
China RoHS 2 Directive MIIT Order No 32, 2016	No Restricted Materials Above Threshold
EU REACH Regulation (EC) No. 1907/2006	Current ECHA Candidate List: JAN 2019 (197) Candidate List Declared Against: JAN 2019 (197)
Halogen Content	Not Low Halogen - contains Br or Cl > 900 ppm.

Solder Process Capability

Not reviewed for solder process capability

Product Compliance Disclaimer

This information is provided based on reasonable inquiry of our suppliers and represents our current actual knowledge based on the information they provided. This information is subject to change. The part numbers that TE has identified as EU RoHS compliant have a maximum concentration of 0.1% by weight in homogenous materials for lead, hexavalent chromium, mercury, PBB, PBDE, DBP, BBP, DEHP, DIBP, and 0.01% for cadmium, or qualify for an exemption to these limits as defined in the Annexes of Directive 2011/65/EU (RoHS2). Finished electrical and electronic equipment products will be CE marked as required by Directive 2011/65/EU. Components may not be CE marked. Additionally, the part numbers that TE has identified as EU ELV compliant have a maximum concentration of 0.1% by weight in homogenous materials for lead, hexavalent chromium, and mercury, and 0.01% for cadmium, or qualify for an exemption to these limits as defined in the Annexes of Directive 2000/53/EC (ELV). Regarding the REACH Regulations, TE's information on SVHC in articles for this part number is still based on the European Chemical Agency (ECHA) 'Guidance on requirements for substances in articles' (Version: 2, April 2011), applying the 0.1% weight on weight concentration threshold at the finished product level. TE is aware of the European Court of Justice ruling of September 10th, 2015 also known as O5A (Once An Article Always An Article) stating that, in case of 'complex object', the threshold for a SVHC must be applied to both the product as a whole and simultaneously to each of the articles forming part of its composition. TE has evaluated this ruling based on the new ECHA "Guidance on requirements for substances in articles" (June 2017, version 4.0) and will be updating its statements accordingly.

Customers Also Bought



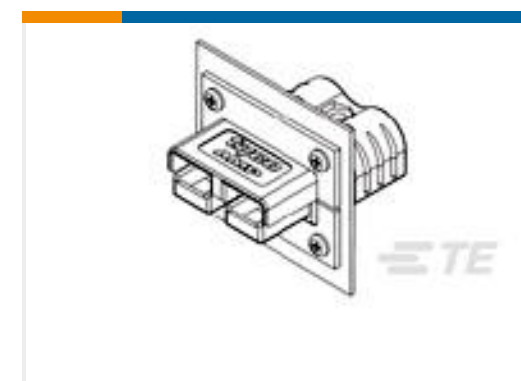
TE Part #1969604-8
8P FH PLUG VAL-U-LOK
FH GW



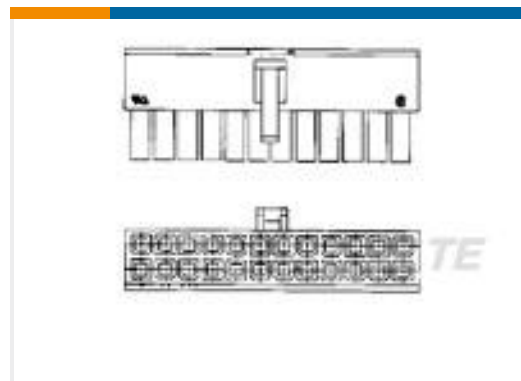
TE Part #2-1969603-4
24P RCPT VAL-U-LOK GW



TE Part #2226742-3
KIT, SOCKET, SNAP-LUG, 2
/0-1/0, RED



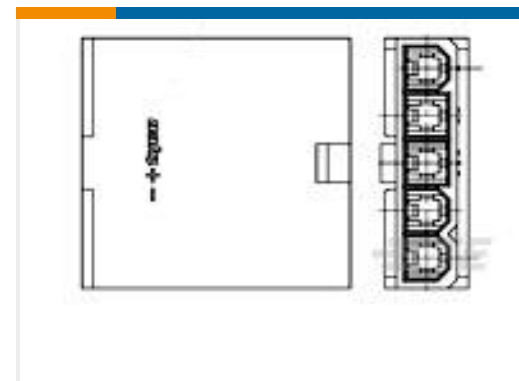
TE Part #1744090-1
PANEL MT BRACKET, 120
SERIES



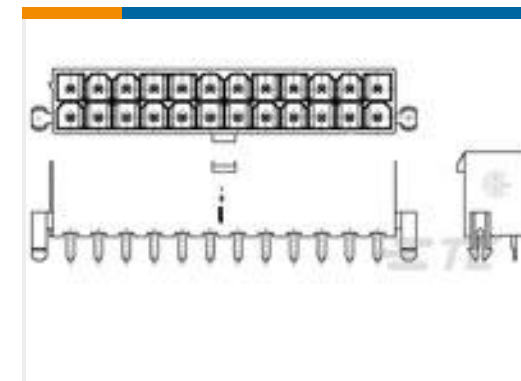
TE Part #2-1586765-0
20P RCPT VAL-U-LOK GW



TE Part #2-1586862-4
24P FH PLUG VAL-U-LOK
FH GW



TE Part #2029180-5
5P PLUG SR VAL-U-LOK
FH GW



TE Part #1-2029265-4
14P VAL-U-LOK VRTHDR W
/PGS GW



TE Part #1969604-6
6P FH PLUG VAL-U-LOK
FH GW



TE Part #87608-1
10 MODII HDR DRST
SHRD .100CL

Documents

[Product Drawings](#)



16P FH PLUG VAL-U-LOK FH GW

English

CAD Files

3D PDF

3D

Customer View Model

[ENG_CVM_CVM_1-1969604-6_A_c-1-1969604-6-a.2d_dxf.zip](#)

English

Customer View Model

[ENG_CVM_CVM_1-1969604-6_A_c-1-1969604-6-a.3d_igs.zip](#)

English

Customer View Model

[ENG_CVM_CVM_1-1969604-6_A_c-1-1969604-6-a.3d_stp.zip](#)

English

Datasheets & Catalog Pages

[1-1773730-3 VAL-U-LOK Connectors with TPA Flyer](#)

English