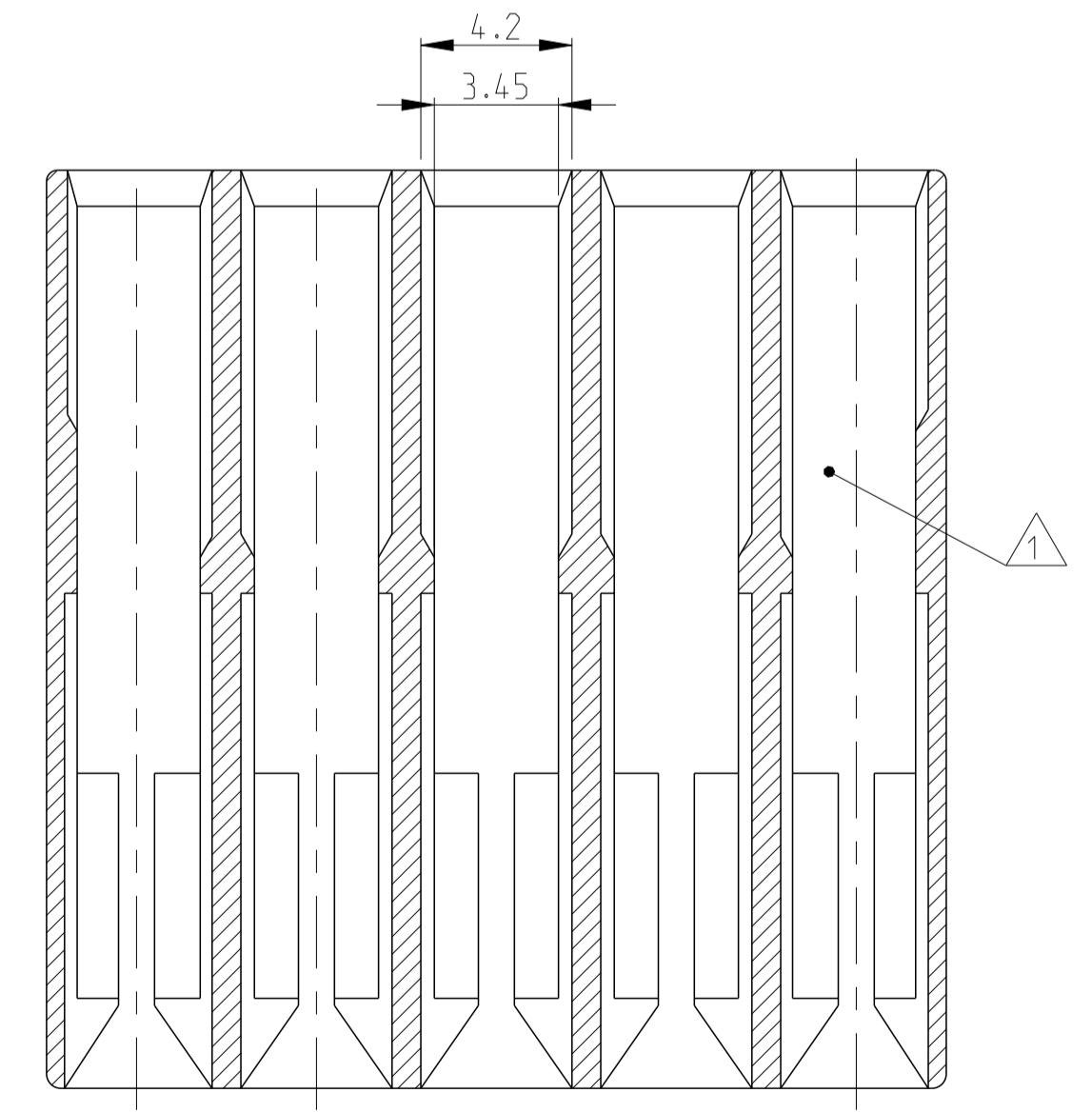
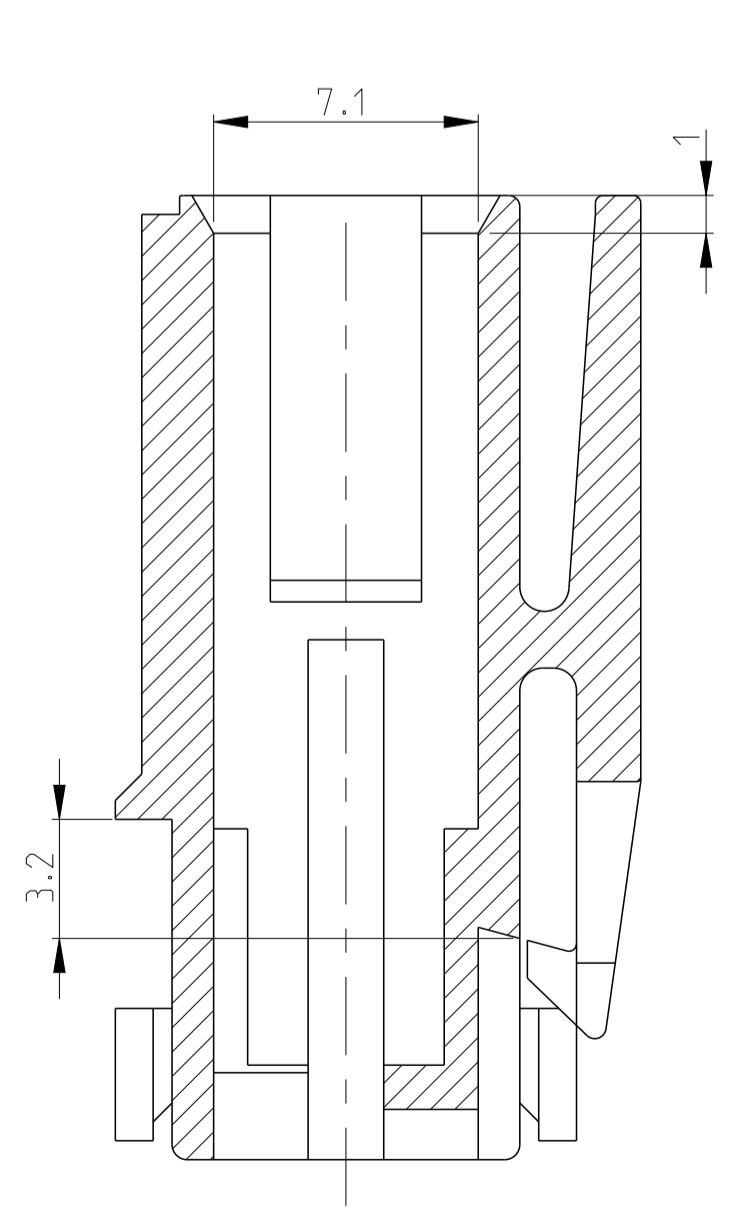
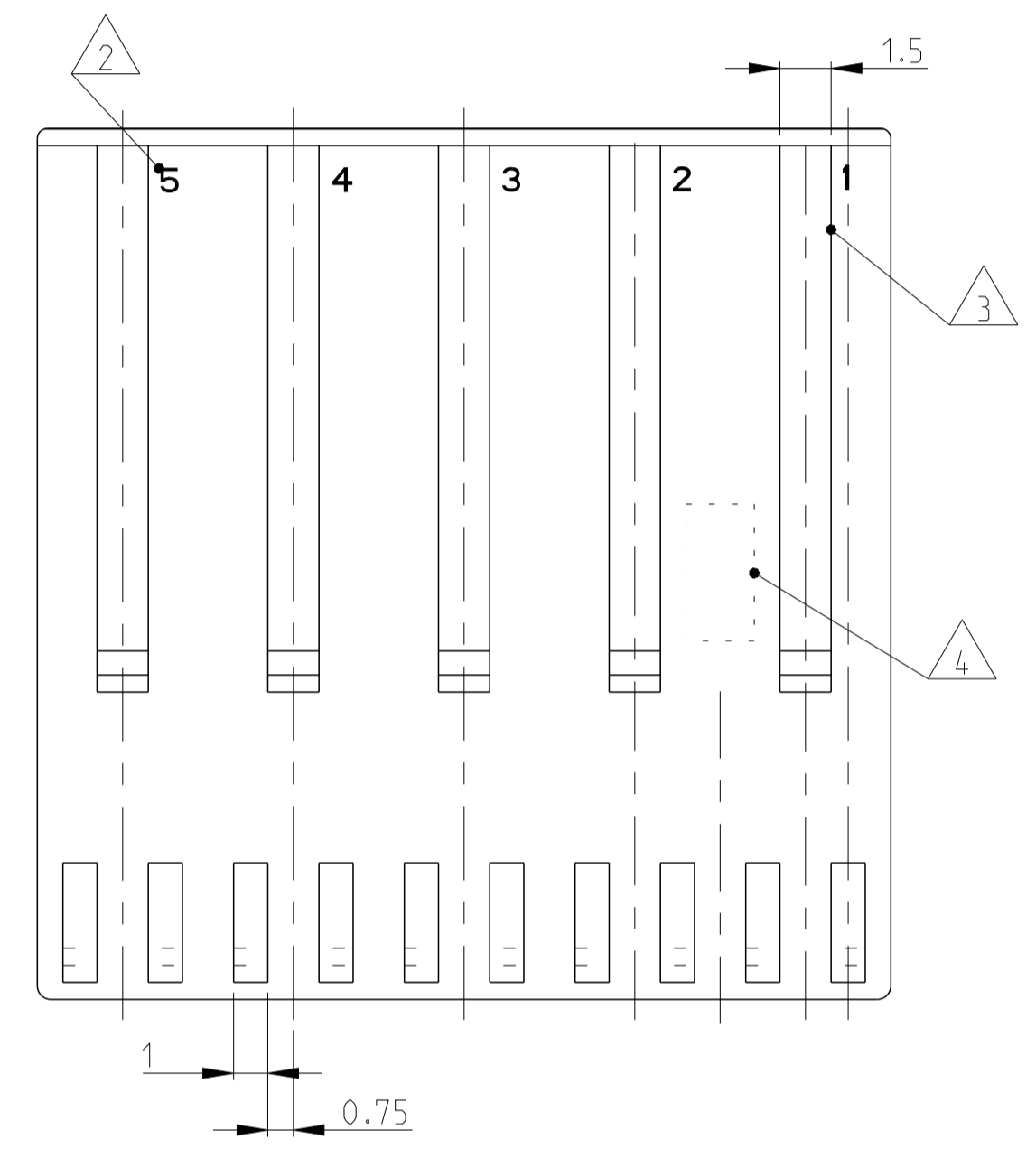
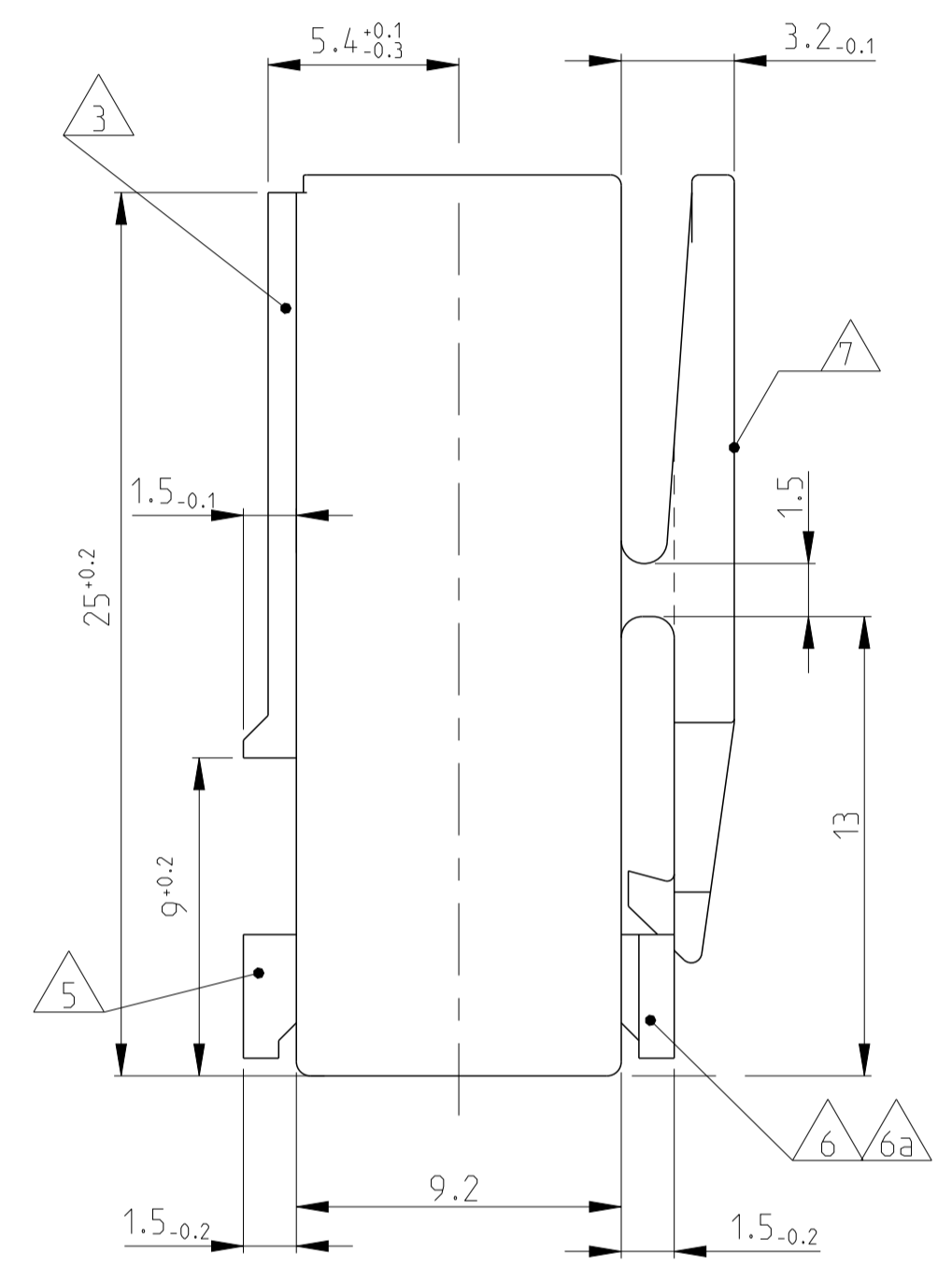
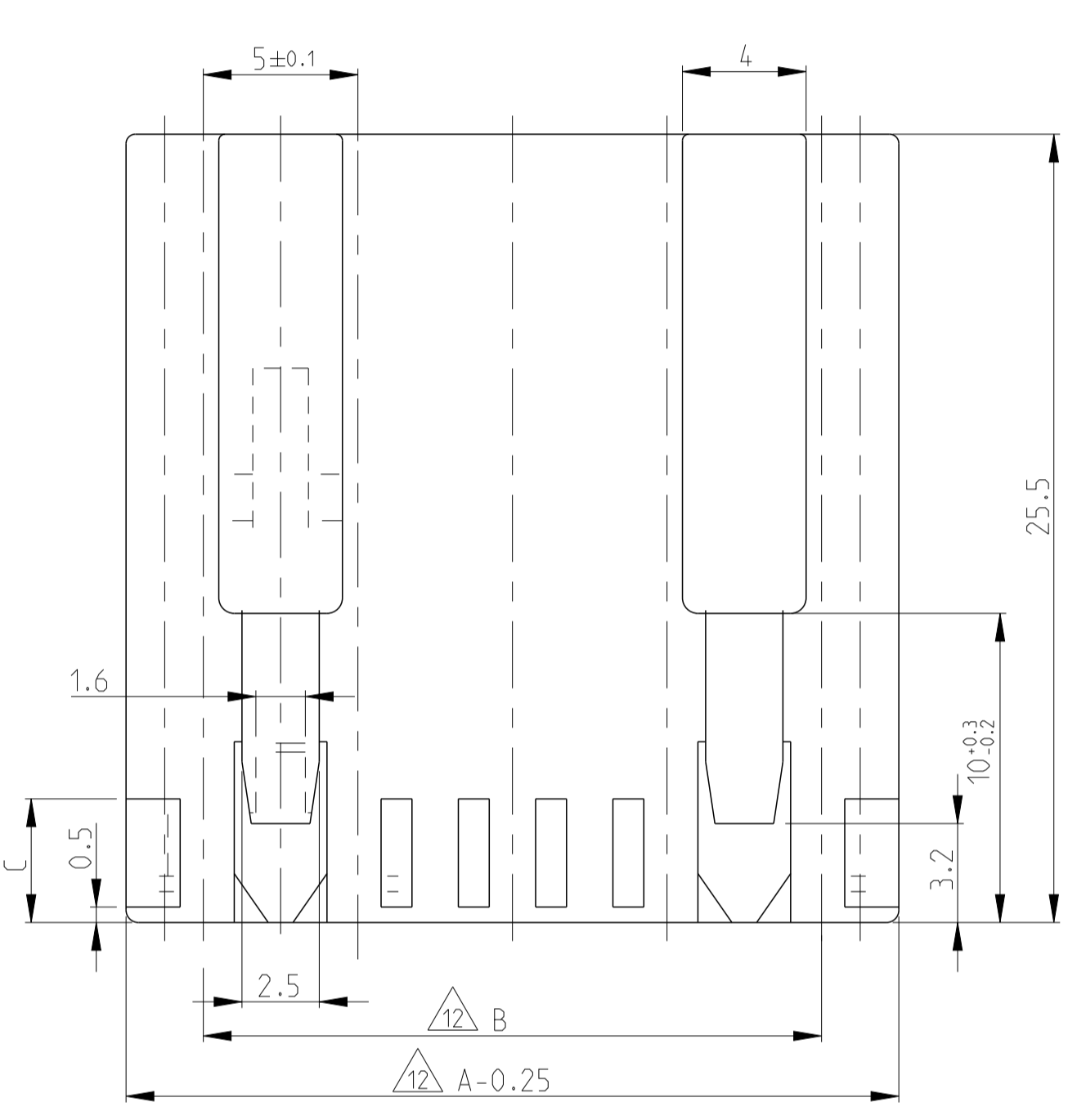
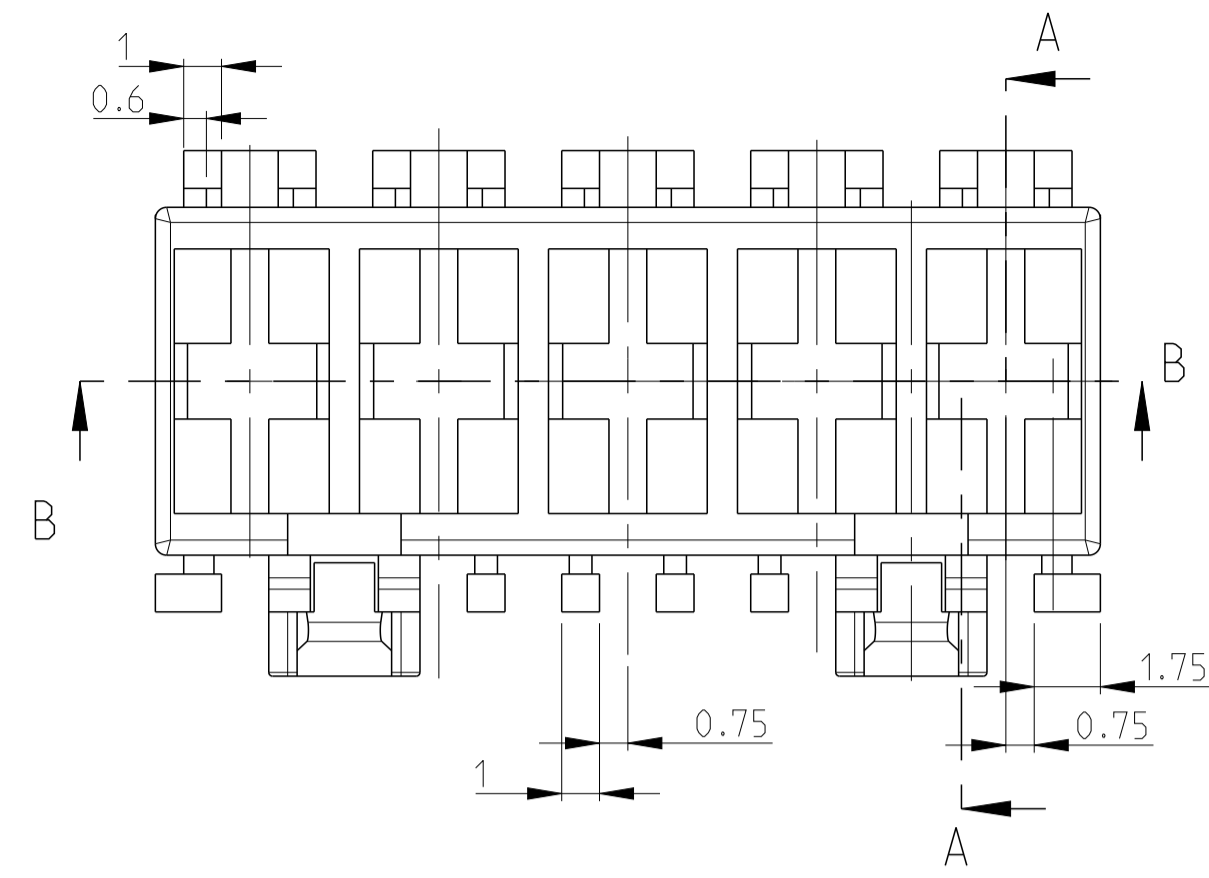


LOC	DIST	REVISIONS			
		REV	DATE	BY	APPV
C28	ECR-15-015988		30OCT2015	FL	RR
C29	ECR-16-002241		17FEB2016	KD	RR
C30	ECR-16-012969		13SEP2016	FV	RR
C31	ECR-17-000741		18JAN2017	KD	RR



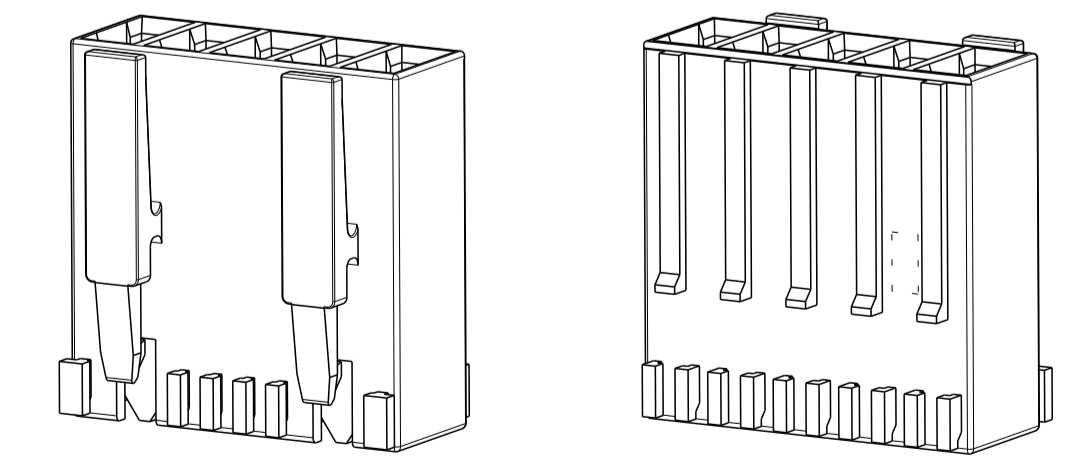
SECTION A-A / Schnitt A-A

SECTION B-B / Schnitt B-B

REMARKS/Bemerkungen

- 1 CAVITY SUITABLE FOR STANDARD TIMER CONTACTS LISTED IN PROD.SPEC. 108-18049, ITEM 3.3.2
Kammer geeignet für Standard Timer Kontakte gelistet in Prod. Spec. 108-18049, Punkt 3.3.2
- 2 CONTACT CAVITY NO.
Kontaktkammernummerierung
- 3 MATING STOP
Tiefenanschlag
- 4 AREA FOR TE LOGO ACC: TO SPEC 202-36
Bereich für TE Logo nach Spec. 202-36
- 5 POLARIZATION RIB POSITION "a" AND/OR "b"
Polarisierungsrippe Position "a" und/oder "b"
- 6 KEYING RIB POSITION "c" AND/OR "d"
Kodierrippe Position "c" und/oder "d"
- 6a KEYING RIB POSITION "c" AND/OR "d" AT THE END WALLS OF THE HOUSING
Kodierrippe Position "c" und/oder "d" an den Gehäusestirnseiten
- 7 LOCKING LATCH
Rasthaken
- 8 TE PART NO (PN)
TE Bestell Nr. (PN)
- 9 DESIGN OF THE HOUSINGS ACC. TO RAST 5 STANDARD
Gehäuseausführung gemäss RAST 5 Vorgabe
- 10 GENERAL SUITABLE TAB HEADER SEE RAST 5 PERFORMANCE
Generell passende Flachsteckerwannen siehe RAST 5 Vorgabe
- 11 PACKAGING: BULK PACKAGING IN CORRUGATED BOX PN 740580-2
2 POS. 2500 PIECES PER BOX / 3 POS. 2000 PIECES PER BOX
Verpackung: Schüttgut in Versandkarton Pn 740580-2
2pol. 2500 Stück per Karton / 3pol. 2000 Stück per Karton
- 12 DIMENSION A, B AND C SEE SHEET 2 OF 3
- 13 MATERIAL CORRESPONDS TO THE REQUIREMENT EN 60335
(INCL. GLOW WIRE TEST 750° WITHOUT FLAME)
Material entspricht den Anforderungen der EN 60335
(inkl. Glühdrahttest 750° ohne Flamme)
- 14 RATIO NUMBER OF THE KEYING VERSION, INKJET PRINTED. SEE SHEET 2
Kodierungskennnummer, mit Tintenstrahldrucker aufgebracht. siehe Blatt 2
- 15 PRELIMINARY- NOT RELEASED FOR PRODUCTION

5 POSITION
STD. TIMER MARK-II HOUSING

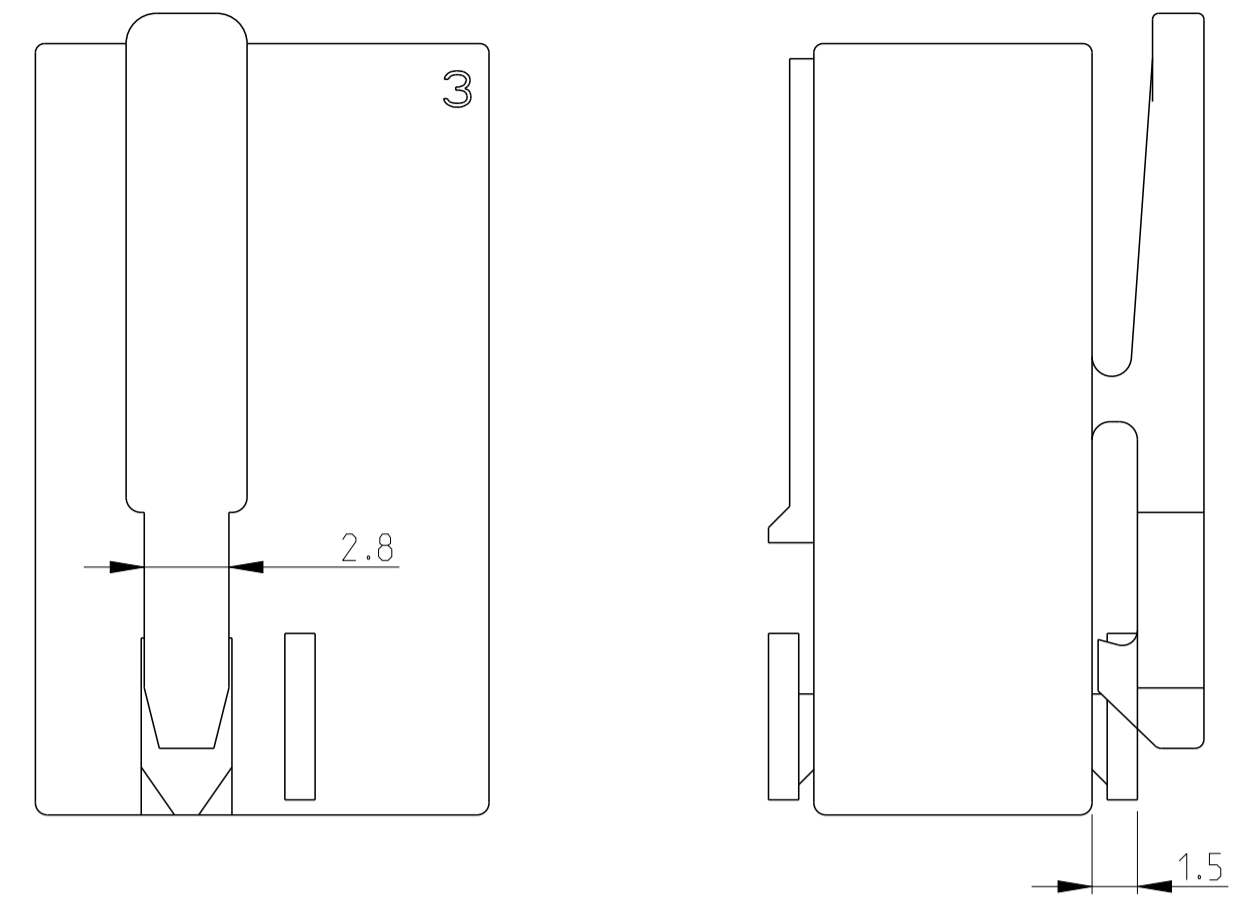


SCALE 2:1

THIS DRAWING IS A CONTROLLED DOCUMENT.		OWN: K. Kishor M. 18-10-07		
DIMENSIONS: mm		CHK: K. Mundz 18-10-07		
TOLERANCES UNLESS OTHERWISE SPECIFIED:		APPV: Tr. Klanner 18-10-07	NAME: STANDARD TIMER HSG. RAST 5 MARK II Standard Timer Gehäuse RAST 5 Mark II	
0 PLC ±0.2		PRODUCT SPEC: 108-18049		RESTRICTED TO: -
1 PLC ±0.2		APPLICATION SPEC: -		
2 PLC ±0.2		SIZE: A1		SHEET 1 OF 3
3 PLC ±0.2		CAGE CODE: 00779		
4 PLC ±0.2		DRAWING NO: 1241961		REV: C31
ANGLES: -		SCALE: 5:1		
FINISH: -		WEIGHT: -		
MATERIAL: SEE TABLE SHEET 2 OF 3		Customer Drawing		

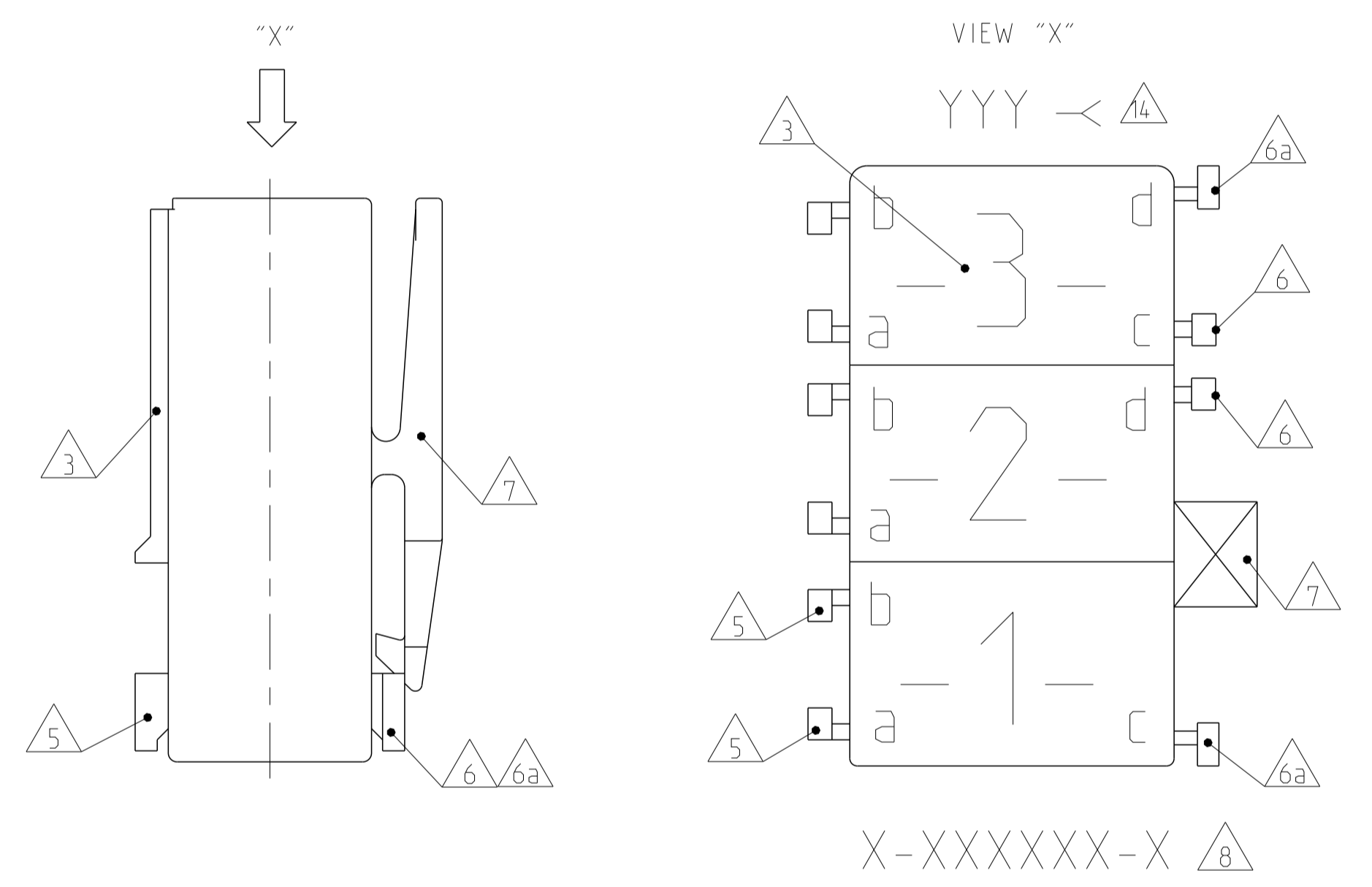
REVISIONS				
REV.	DATE	BY	APPV.	DESCRIPTION
SEE SHEET-01				

ONLY 5-1241961-7, 1-1241961-9, 7-1241961-7



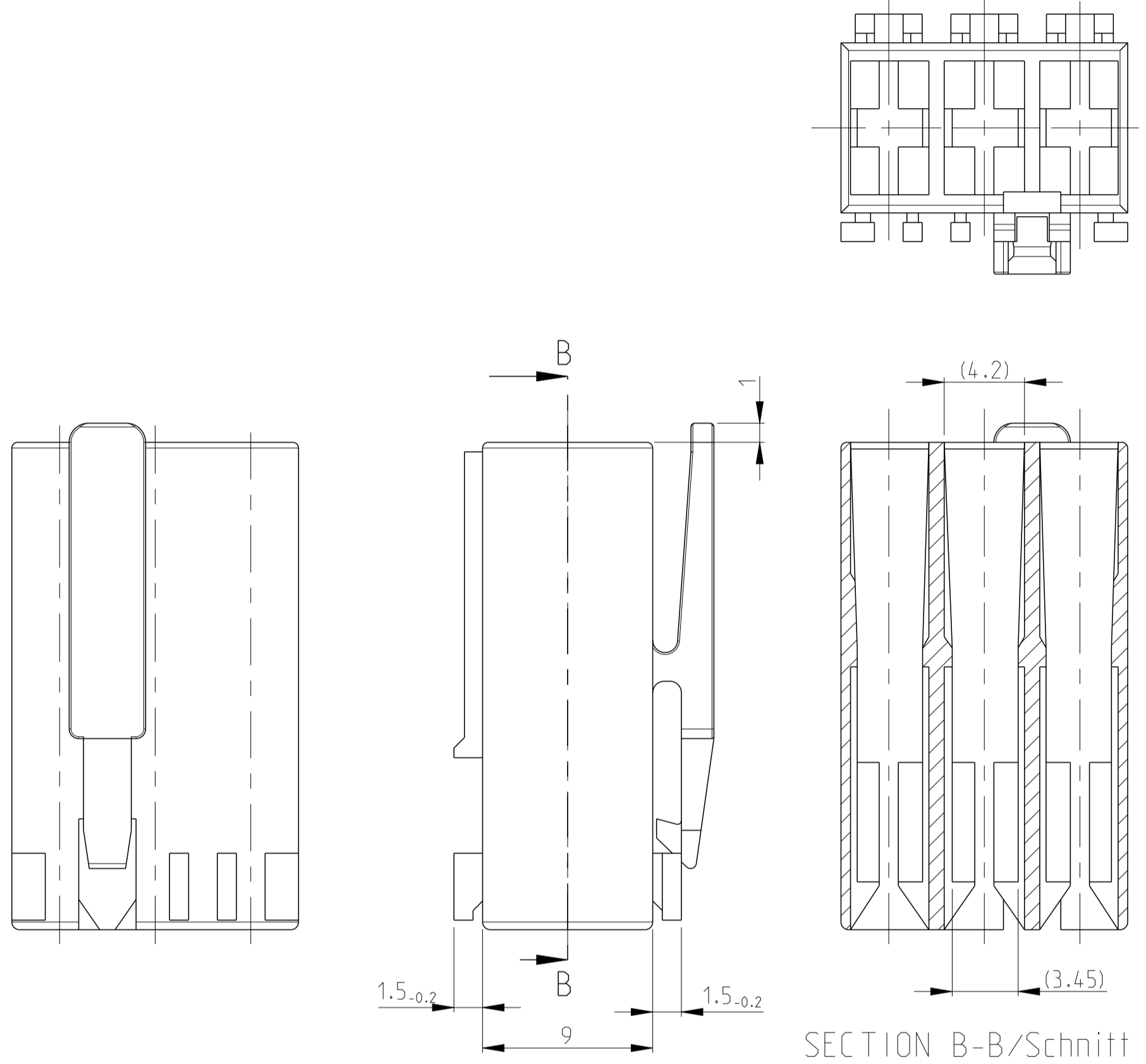
ALL OTHER DIMENSIONS SEE SHEET 1 OF 3

KEY LAYOUT DESCRIPTION



PAY ATTENTION !
 DIFFERENT CAVITY GEOMETRY AND LOCKING LATCH OVERHANG
 Bitte beachten !
 Unterschiedliche Kammergeometrie und Rasthakenuberstand.

FOR 2 POS. AND 3 POS.



ALL OTHER DIMENSIONS SEE SHEET 1 OF 3
 Alle anderen Masse siehe Seite 1 von 3

SPECIAL MATERIAL						
1955507-4	4	20	15	PA66	NATURAL	1
9-1955506-2	2	10	5	UL 94 V0	NATURAL	1

SPECIAL VERSION: UL94 V0 & GWT 750 NF & CTI 350						
5-1241961-7	3	15	10	PA66	NATURAL	A
1-1241961-9	3	15	10		NATURAL	A
7-1241961-7	3	15	10		NATURAL	A

SPECIAL VERSION: UL94 V2 & GWT 750 NF						
6-2178575-7	3	4	15	10	PA6 GF15	NATURAL A

SPECIAL VERSION: UL94 V0 & GWT 750 NF						
3-2178412-7	3	15	10	UL94 V0 & GWT 750 NF	NATURAL	1
4-2178412-7	3	15	10		NATURAL	1
8-2178412-2	2	10	5		NATURAL	1

UL94 V0 & GWT 750 NF						
2315717-1	2	10	5	UL94 V0 & GWT 750 NF	NATURAL	1
2315717-2	2	10	5		NATURAL	1
2315717-3	2	10	5		NATURAL	1
2315717-4	4	20	10		NATURAL	1

PRELIMINARY

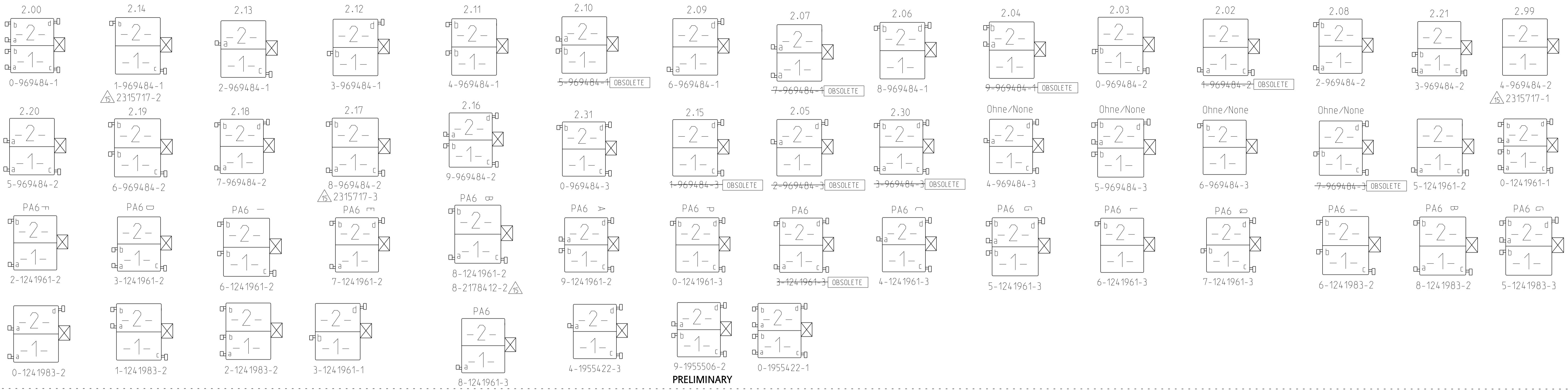
PRELIMINARY

PART NO	POS.	DIMENSION C	DIM A	DIM B	MATERIAL	COLOUR /Farbe	REV./Rev.
6-1241961-7	3	15	10	PA 6 UL94V-2	NATURAL	1	
4-1241961-7	3	15	10	PA 6 UL94V-2	NATURAL	A	
3-1241961-7	3	15	10	PA 6 UL94V-2	NATURAL	A	
1-1955422-7	3	15	10	PA 66 UNFILLED UL94 V0	NATURAL	A	
5-1955422-7	3	15	10	PA 66 UNFILLED UL94 V0	NATURAL	A	
4-1955422-3	2	6	10	PA 66 UNFILLED UL94 V0	NATURAL	A	
2-1241817-3	3	4 or 6	15	PA 66 UL94 V-2	Green	E	
0-1955422-6	3	15	10	PA 66 UNFILLED UL94 V0	NATURAL	A	
8-1241961-8	3	15	10	PA 6 UL94V-2	NATURAL	C	
0-1241961-8	3	15	10	PA 6 UL94V-2	natural	A	
8-1241961-3	2	10	5	PA 6 UL94V-2	NATURAL	C	
3-1241961-1	2	10	5	PA 6 UL94V-2	NATURAL	C	
0-1955422-1	2	10	5	PA 66 UNFILLED UL94 V0	NATURAL	A	

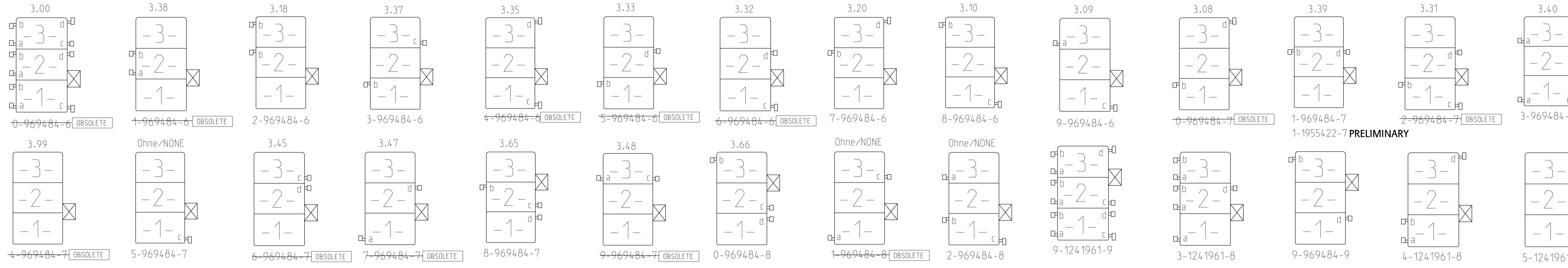
REV.	DATE	BY	APPV.	DESCRIPTION	MATERIAL	COLOUR /Farbe	REV./Rev.
0-1241959-5	5	25	20	PA 6 UL94V-2	Natural/natur	B	
4-1241959-4	4	20	15			A	
2-1241959-4	4	20	15			B	
0-1241959-4	4	20	15				
2-1241817-5	5	25	20	PA 6.6 UL94V-2	Natural/natur Black/schwarz Violet/violett Grey/grau Natural/natur	C	
0-1241817-5	5	25	20				
3-1241817-4	4	20	15				
2-1241817-4	4	20	15				
0-1241817-4	4	20	15				
2-1241983-2	2	10	5	PA 6 UL94V-2	Green/grün Violet/violett TARGET RAL 4001 Yellow/gelb Black/schwarz Blue/blau Red/rot	C	
1-1241983-2	2	10	5				
0-1241983-2	2	10	5				
8-1241983-2	2	10	5				
5-1241983-3	2	10	5				
6-1241983-2	2	10	5				
9-1241961-8	3	15	10	PA 6 UL94V-2	Natural/natur	C	
6-1241961-8	3	15	10				
5-1241961-8	3	15	10				
4-1241961-8	3	15	10				
7-1241961-8	3	15	10				
1-1241961-8	3	15	10				
3-1241961-8	3	15	10				
2-1241961-8	3	15	10				
2-1241961-7	3	15	10				
9-1241961-9	3	15	10				
0-1241961-6	3	15	10				
3-1241961-3	3	10	5				
2-1241961-2	3	10	5				
5-1241961-2	3	10	5				
4-1241961-3	3	10	5				
7-1241961-2	3	10	5				
7-1241961-3	3	10	5				
6-1241961-3	3	10	5				
3-1241961-2	3	10	5				
5-1241961-3	3	10	5				
6-1241961-2	3	10	5				
0-1241961-3	3	10	5				
8-1241961-2	3	10	5				
9-1241961-2	3	10	5				
0-1241961-1	3	10	5				
9-969484-9	3	15	10	PA 6.6 UL94V-2	Yellow/gelb	H	
2-969484-8	3	15	10				
0-969484-8	3	15	10				
4-969484-8	3	15	10				
8-969484-7	3	15	10				
7-969484-7	3	15	10				
6-969484-7	3	15	10				
5-969484-7	3	15	10				
4-969484-7	3	15	10				
3-969484-7	3	15	10				
1-969484-7	3	15	10				
0-969484-7	3	15	10				
9-969484-6	3	15	10				
8-969484-6	3	15	10				
7-969484-6	3	15	10				
6-969484-6	3	15	10				
5-969484-6	3	15	10				
4-969484-6	3	15	10				
3-969484-6	3	15	10				
2-969484-6	3	15	10				
1-969484-6	3	15	10				
0-969484-6	3	15	10				
9-969484-3	3	10	5	PA 6.6 UL94V-2	Natural/natur	H	
8-969484-3	3	10	5				
7-969484-3	3	10	5				
6-969484-3	3	10	5				
5-969484-3	3	10	5				
4-969484-3	3	10	5				
3-969484-3	3	10	5				
2-969484-3	3	10	5				
1-969484-3	3	10	5				
0-969484-3	3	10	5				
9-969484-2	3	10	5				
8-969484-2	3	10	5				
7-969484-2	3	10	5				
6-969484-2	3	10	5				
5-969484-2	3	10	5				
4-969484-2	3	10	5				
3-969484-2	3	10	5				
2-969484-2	3	10	5				
1-969484-2	3	10	5				
0-969484-2	3	10	5				
9-969484-1	3	10	5	PA 6.6 UL94V-2	Natural/natur	H	
8-969484-1	3	10	5				
7-969484-1	3	10	5				
6-969484-1	3	10	5				
5-969484-1	3	10	5				
4-969484-1	3	10	5				
3-969484-1	3	10	5				
2-969484-1	3	10	5				
1-969484-1	3	10	5				
0-969484-1	3	10	5				

LOC	DIST	REVISONS	DATE	OWN	APVD
		SEE SHEET-01			

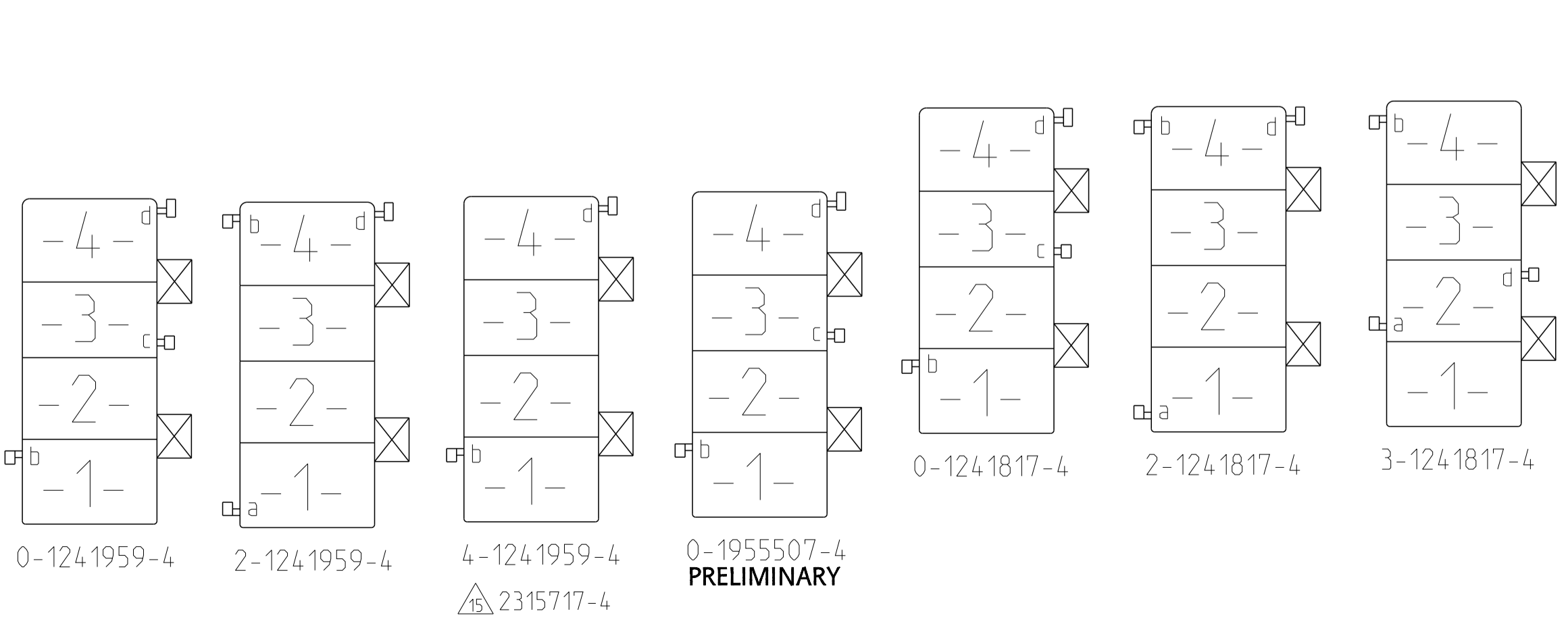
2 POSITION VARIANTS



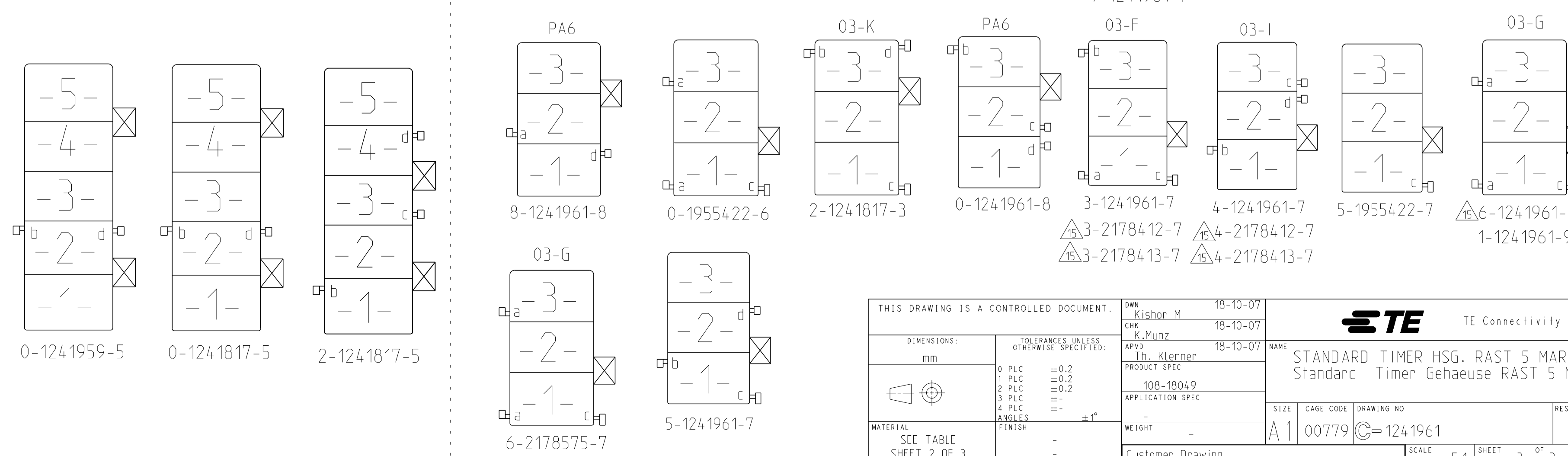
3 POSITION VARIANTS



4 POSITION VARIANTS



5 POSITION VARIANTS



THIS DRAWING IS A CONTROLLED DOCUMENT.		OWN: K. Kishor M. 18-10-07	 TE Connectivity
DIMENSIONS: mm		CHK: K. Mundz 18-10-07	
TOLERANCES UNLESS OTHERWISE SPECIFIED:		APVD: T. Klenner 18-10-07	
MATERIAL: SEE TABLE		Customer Drawing	
SHEET 2 OF 3		NAME: STANDARD TIMER HSG. RAST 5 MARK II Standard Timer Gehäuse RAST 5 Mark II	RESTRICTED TO
SCALE: 5:1		SIZE: A1	REV: C31