



# NEVALO SSL System

CN88 LED Light Module (LLM)

2100mA Constant Current

## Features

- › Inter-changeable light modules and optics
- › 3060/3420 lumens in 3000K/4000K color temperatures
- › 28 and 48 Degree Optics
- › Mechanically keyed and color coded interconnect for easy installation
- › Protection with NEVALO driver
  - » Thermal shutdown
  - » Short circuit
  - » Input surge voltage
  - » Over voltage
  - » Over current
- › Lifetime: 50,000 hours minimum
- › Integrated thermal pad
- › Dry and damp location compatible
- › Accepts future and improved LEDs and optics
- › 5 year warranty with NEVALO system

The NEVALO CN88 LED Light Module (LLM) offers plug-and-play versatility for flexibility, performance, and speed to market in a high lumen, energy efficient package. It is uniquely designed to allow inter-changeability by the lighting OEM designer to select between multiple lumen outputs, color temperatures, CRIs and beam distributions in the same package. Designed with thermal and electrical protection and is warranted for 5 years when used with the NEVALO SSL System.

## APPLICATIONS

- › Retail / Shop lighting
- › Office / Corridor downlights
- › Exterior / Architectural / Security lighting
- › High Flux / High Lumen lighting

## MECHANICAL CONSTRUCTION

**Base Housing:** Glass Filled PBT - White

**Thermal Pad:** Silicone

**Printed Circuit Board:** FR4

**Washer:** Steel, Zinc Plated

**Screws:** Steel, Zinc Plated

**Optic Reflector:** Polycarbonate, Aluminum Coated

**Top Ring:** Glass Filled PBT - White

**Compression Ring:** Urethane

## ORDERING INFORMATION

CCT (K)	LLM Lumen (lm) Typ/ includes Optics Tc=60° C	LLM Lumen (lm) Typ/ includes Optics Tc=25° C	CRI	Color Consistency SDCM	Drive Current	LLM Efficacy (1) (lm/W) Typ/ includes Optics Tc=25° C	NEVALO (2) System Budget	Beam Distribution Angle	Part Number
3000	2790	3060	82	4	2100mA	57	30	28	2154159-2
3000	2790	3060	82	4	2100mA	57	30	48	2154159-3
4000	3060	3420	80	4	2100mA	63	30	28	1-2154159-2
4000	3060	3420	80	4	2100mA	63	30	48	1-2154159-3

(1) Individual results may vary from the typical values.

(2) System Budget is a unique NEVALO SSL system feature that allows the appropriate LED Light Module (LLM) loading to the driver. Blue = 2100mA and matches color coding on driver.

nevalo.com  
te.com

© 2011 Tyco Electronics Corporation. All Rights Reserved.  
6-1773459-6 CIS PDF 03/2011  
NEVALO, TE (logo) and TE Connectivity are trademarks of the TE Connectivity group of companies and its licensors.  
Other products, logos, and company names mentioned herein may be trademarks of their respective owners.



# NEVALO SSL System

CN88 LED Light Module (LLM)

2100mA Constant Current

## APPROVALS

Parameter	Standard
USA Safety	UL 8750 Recognized (pending)
International Safety	CE mark to IEC 62031:2008

## WIRING BUS

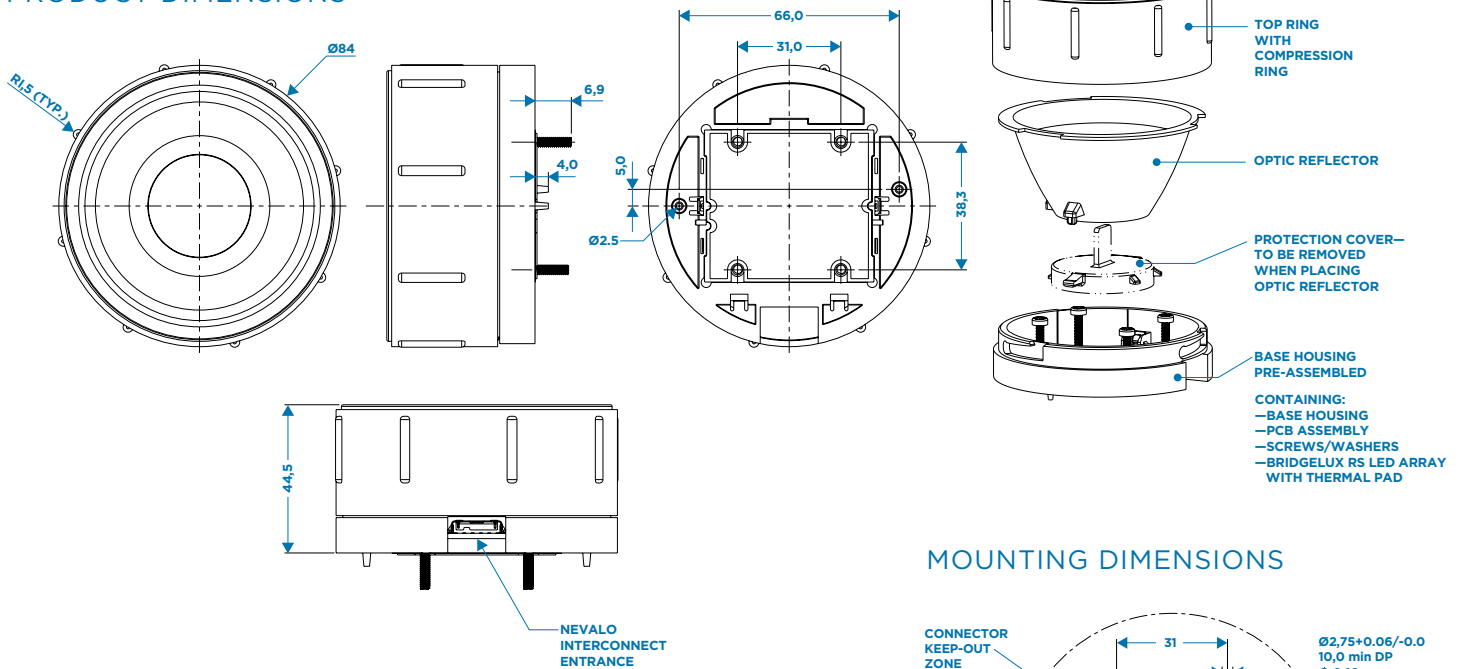
Configuration	Length	Part Number
Straight to Straight	300mm	2154172-6
Straight to Right Angle Down	300mm	2154175-6

Use a factory assembled wiring bus to connect driver to LLM or build your own at the [online configurator](#)

## DOCUMENTS

Click for link to document	
Product Specification	<a href="#">108-2459</a>
Application Specification	<a href="#">114-13300</a>
Instruction Sheet	<a href="#">408-10424</a>
Customer Drawing	<a href="#">2154159</a>

## PRODUCT DIMENSIONS

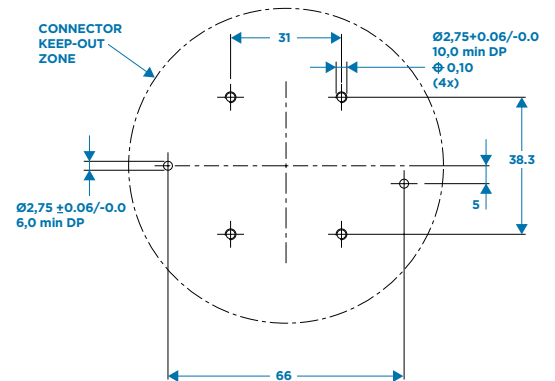


## DRILL TEMPLATE KIT

Allows you to easily locate drill hole positions to attach LED light modules (LLM) to the light fixture.



## MOUNTING DIMENSIONS



[nevalo.com](#)  
[te.com](#)

© 2011 Tyco Electronics Corporation. All Rights Reserved.  
6-1773459-6 CIS PDF 03/2011  
NEVALO, TE (logo) and TE Connectivity are trademarks of the TE Connectivity group of companies and its licensors.  
Other products, logos, and company names mentioned herein may be trademarks of their respective owners.

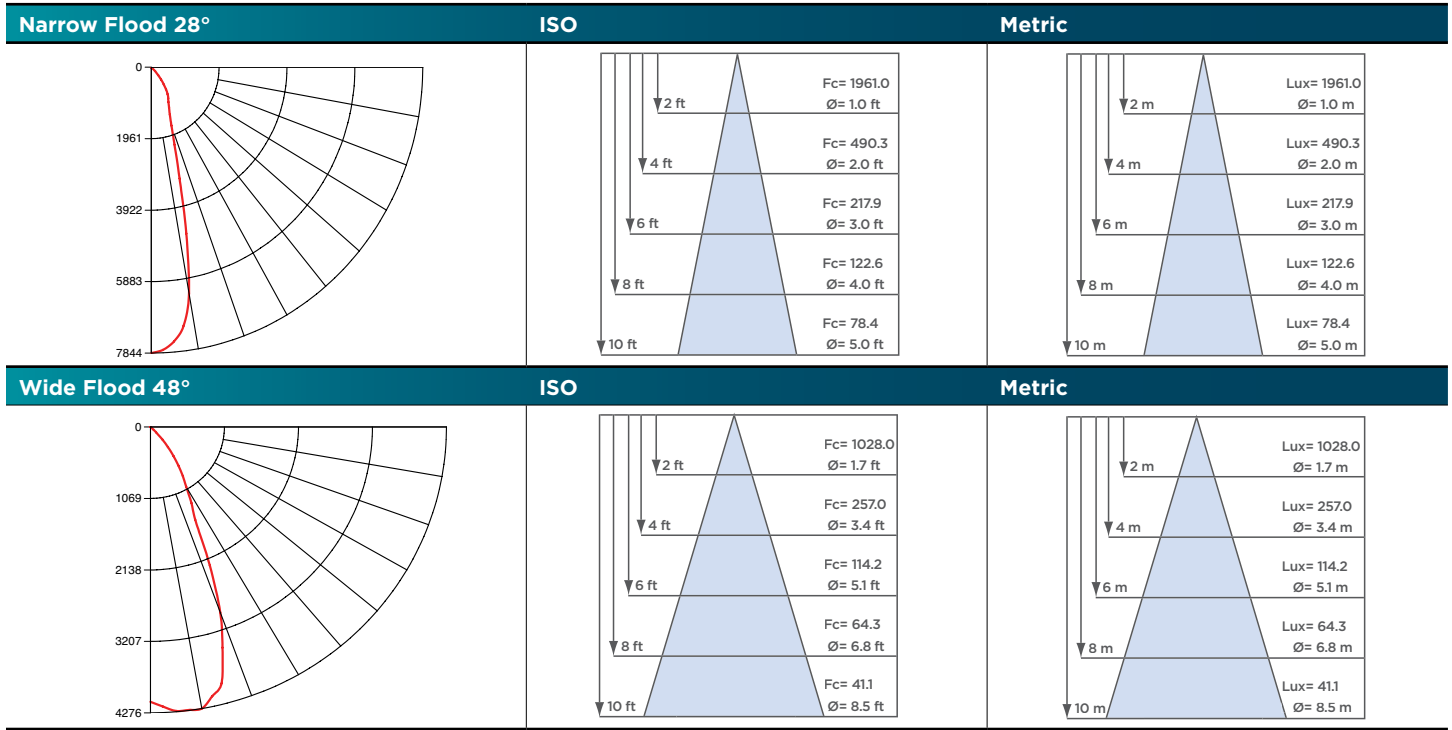


# NEVALO SSL System

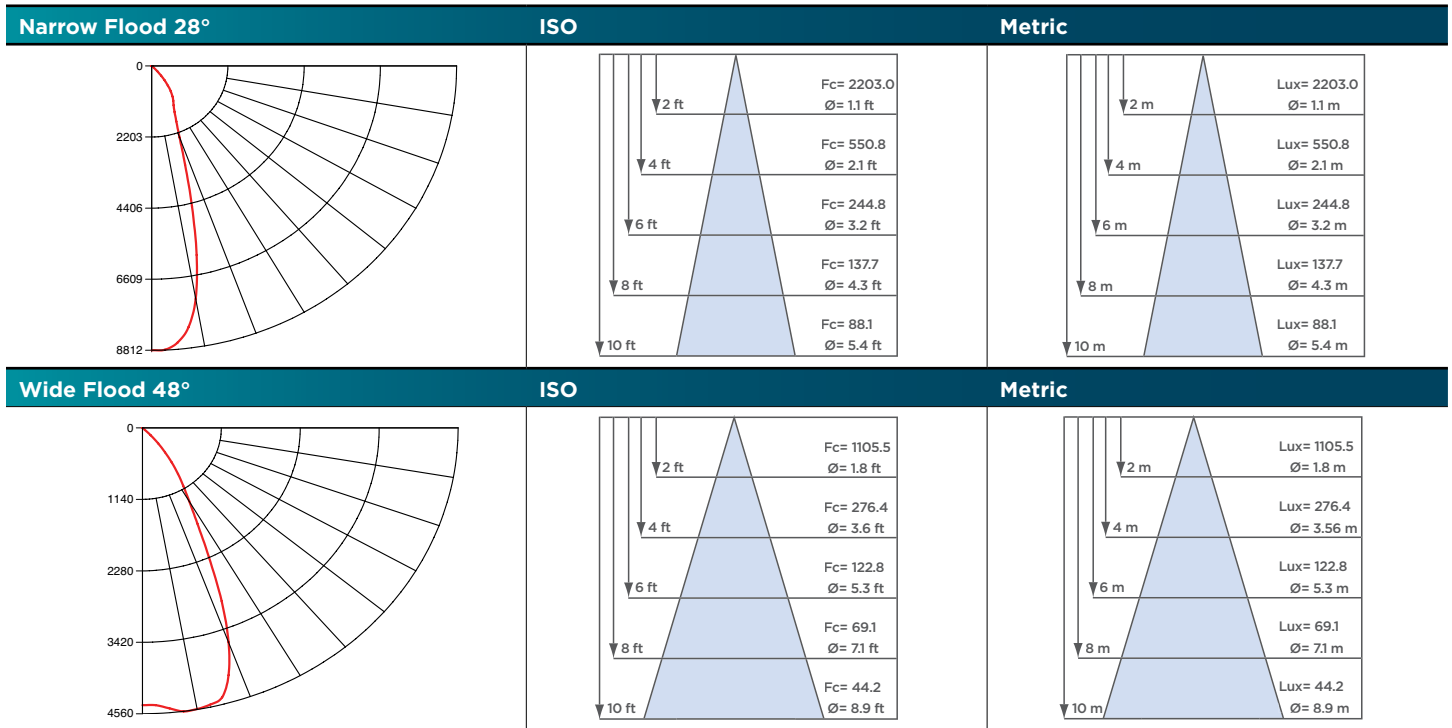
CN88 LED Light Module (LLM)

2100mA Constant Current

## PHOTOMETRICS: 3000K CCT



## PHOTOMETRICS: 4000K CCT



nevalo.com  
te.com

© 2011 Tyco Electronics Corporation. All Rights Reserved.  
6-1773459-6 CIS PDF 03/2011  
NEVALO, TE (logo) and TE Connectivity are trademarks of the TE Connectivity group of companies and its licensors.  
Other products, logos, and company names mentioned herein may be trademarks of their respective owners.



# NEVALO SSL System

CN88 LED Light Module (LLM)

2100mA Constant Current

## THERMAL LLM

Each LLM has a corresponding Thermal LLM which when placed in a lighting application can be connected to the NEVALO Thermal Test instrument. This unique accessory allows for an immediate thermal profile of the final product.



Thermal LLM board shown

LLM Part Number	Thermal LLM Part Number	Thermal Test Instrument Part Number
2154159-2	2154149-1	2154265-1
2154159-3		
1-2154159-2	1-2154149-1	
1-2154159-3		

## THERMAL TEST INSTRUMENT

A thermal test instrument is used to confirm the thermal protection and performance of every LLM in your fixture. This evaluation tool includes Break Out Box, Thermal Monitor Testing Software, and Interconnect Cables.



NEVALO SSL Thermal Ratings	LLM Tcase		
LED Driver Shutdown	85 - 95°C		
Thermal Tool : <b>Red</b>	> 85°C		
Thermal Tool : <b>Yellow</b>	75 - 85°C		
Thermal Tool : <b>Green</b>	< 75°C		
Thermal Dot	88°C		

nevalo.com  
te.com

© 2011 Tyco Electronics Corporation. All Rights Reserved.  
6-1773459-6 CIS PDF 03/2011  
NEVALO, TE (logo) and TE Connectivity are trademarks of the TE Connectivity group of companies and its licensors.  
Other products, logos, and company names mentioned herein may be trademarks of their respective owners.

