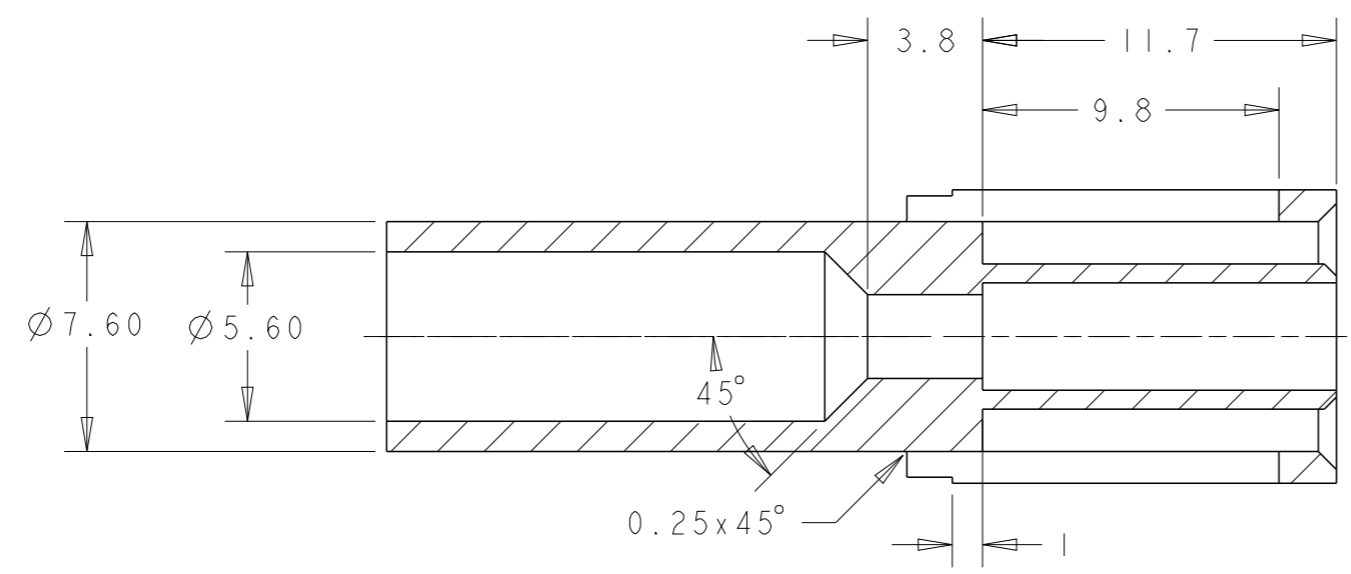
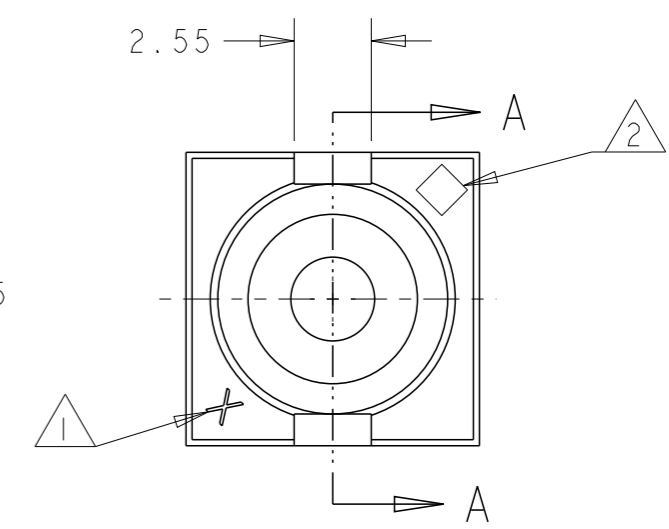
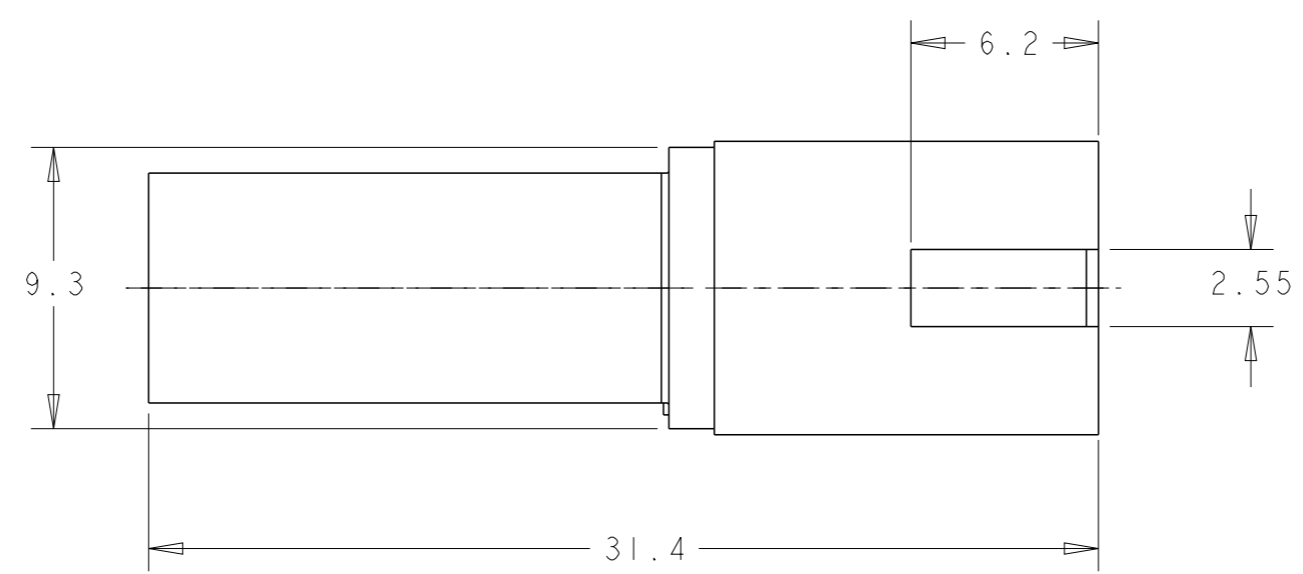
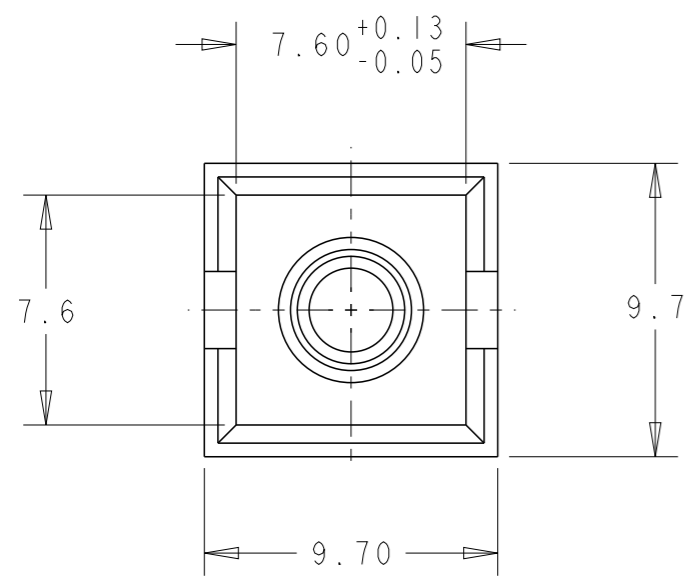


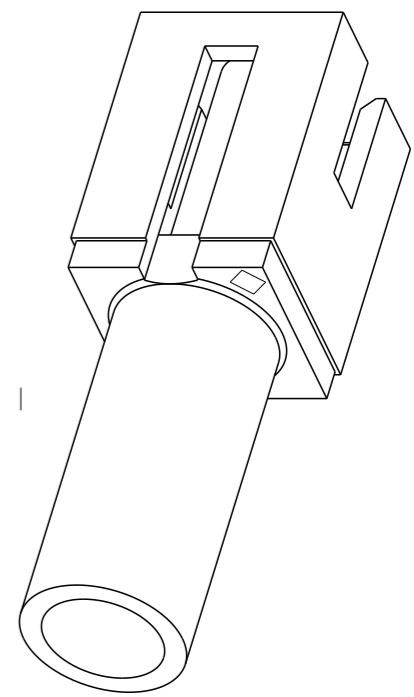
THIS DRAWING IS UNPUBLISHED. RELEASED FOR PUBLICATION 2008
 © COPYRIGHT 2008 BY - ALL RIGHTS RESERVED.

LOC	DIST	REVISIONS			
P	LTR	DESCRIPTION	DATE	DWN	APVD
IR	-	A2	ECR-13-003053	26FEB2013	MGT R.P



SECTION A - A

SCALE 3:1



- ① PLACE MOULD CAVITY PREFERABLY IDENTIFICATION IN THIS AREA
- ② PLACE TYCO ELECTRONICS LOGO PREFERABLY IN THIS AREA
- ③ MATERIAL CORRESPONDING TO THE REQUIREMENT OF IEC 60335-1 (INCL. GLOW WIRE TEST 750°C, WITH OUT FLAME)

THIS DRAWING IS A CONTROLLED DOCUMENT.	
DIMENSIONS: mm	TOLERANCES UNLESS OTHERWISE SPECIFIED:
	0 PLC ±0.13
	1 PLC ±0.13
	2 PLC ±0.13
	3 PLC ±0.13
	4 PLC ±-
	ANGLES ±1°
MATERIAL SEE TABLE	FINISH -

DWN	J. Salo	02JUL2008
CHK	L. Lazaro	02JUL2008
APVD	L. Batillo	02JUL2008
PRODUCT SPEC	-	-
APPLICATION SPEC	-	-
WEIGHT	-	-
CUSTOMER DRAWING		

1863012-1	A	PA 6 UL94 V2	NATURAL
PN	REV	MATERIAL	COLOUR
STE TE Connectivity			
NAME SINGLE CIRCUIT UNIVERSAL MATE-N-LOK CAP			
SIZE	CAGE CODE	DRAWING NO	RESTRICTED TO
A3	00779	C-1863012	-
SCALE 4:1		SHEET 1 OF 1	REV A2

Mouser Electronics

Authorized Distributor

Click to View Pricing, Inventory, Delivery & Lifecycle Information:

[TE Connectivity:](#)

[1863012-1](#)