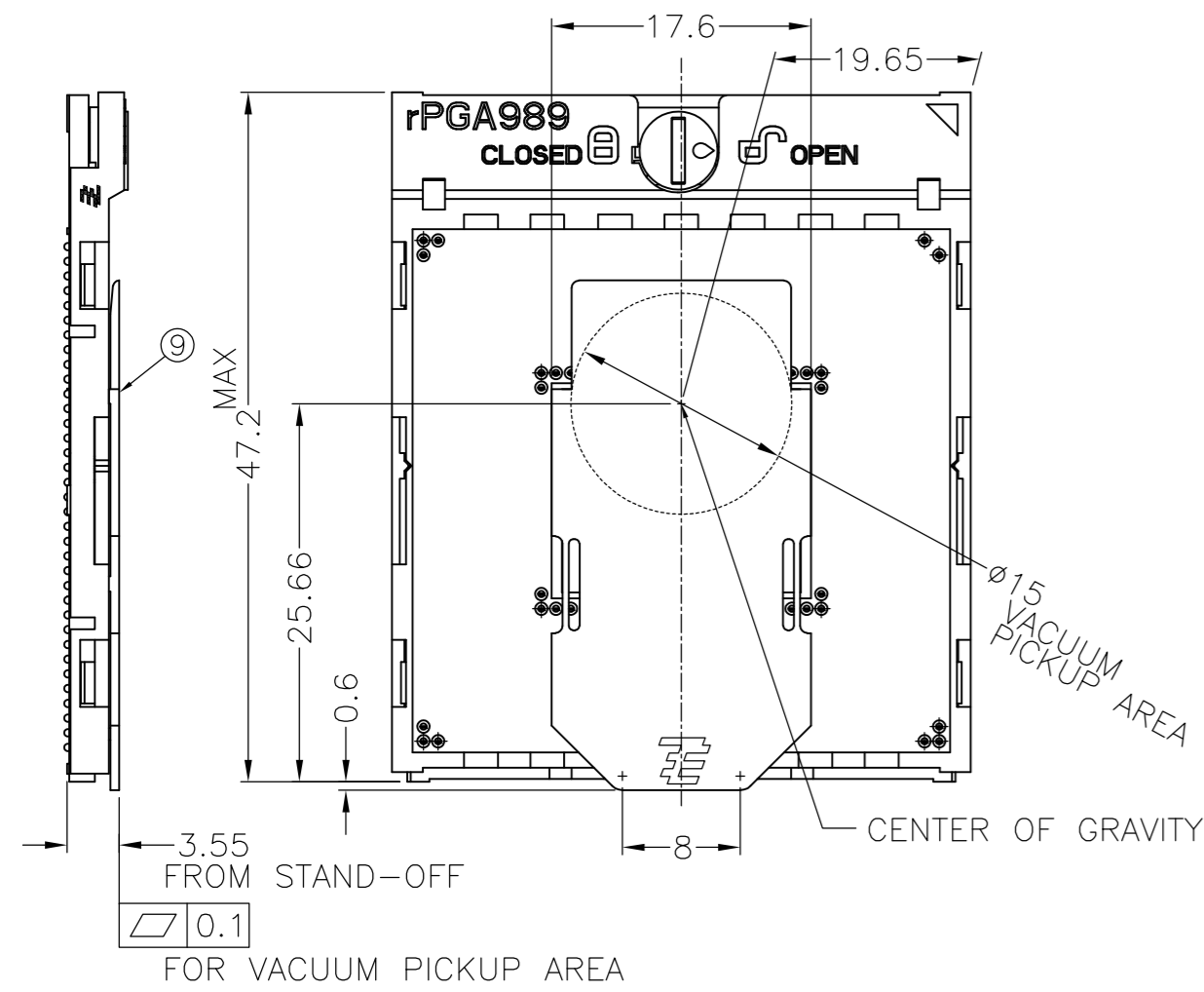
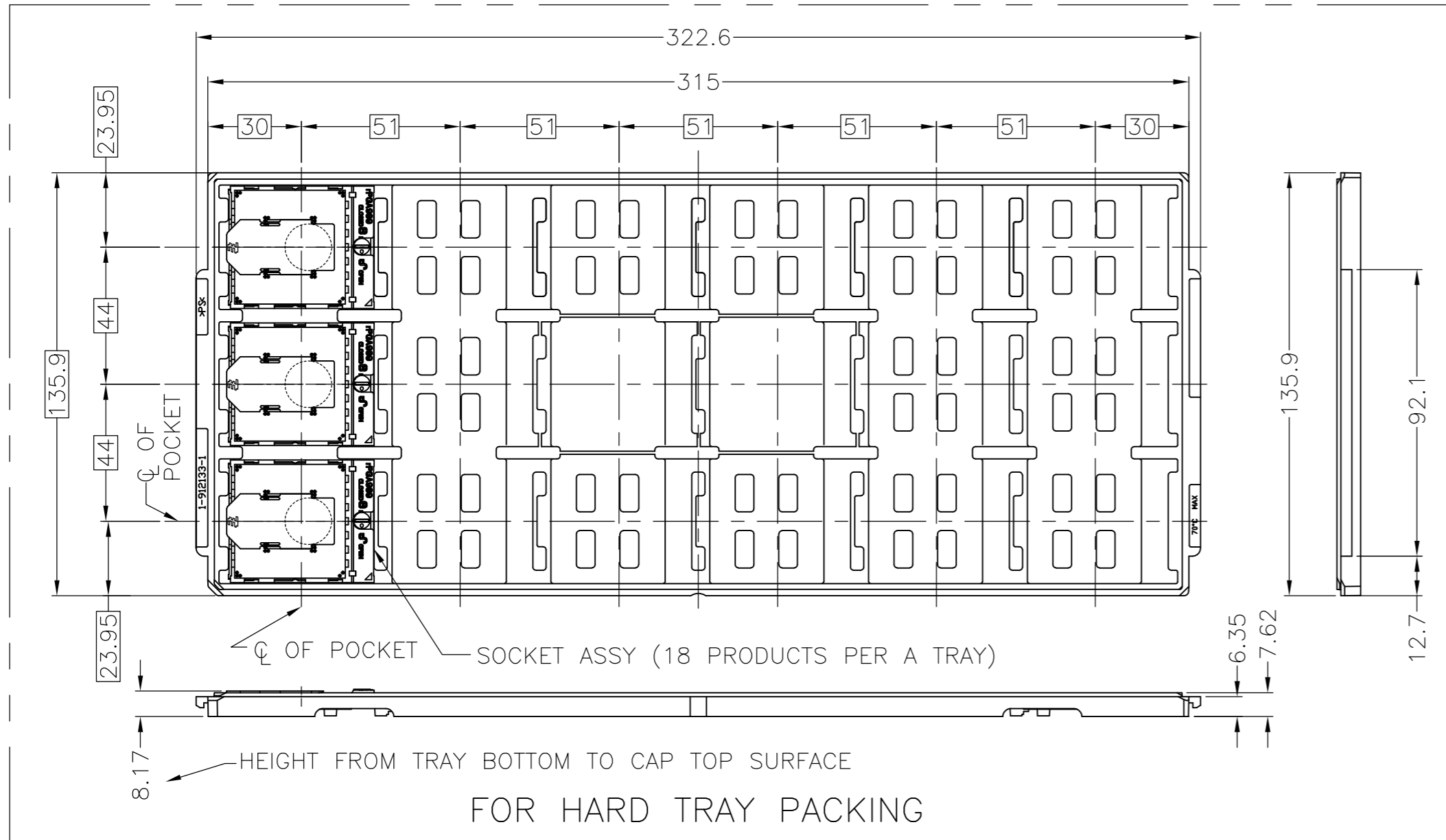
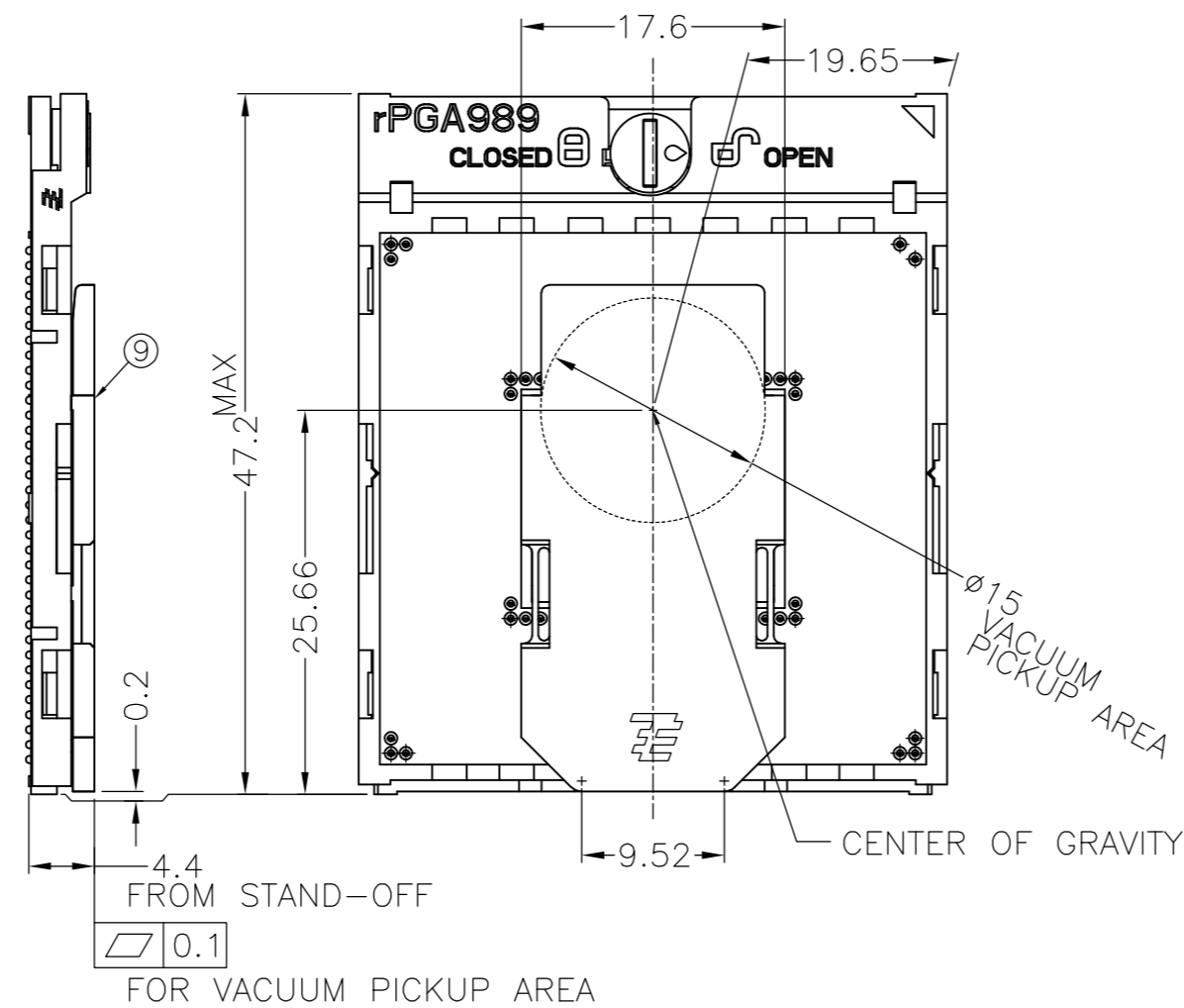


THIS DRAWING IS UNPUBLISHED. RELEASED FOR PUBLICATION
 © COPYRIGHT - By Tyco Electronics Japan G.K. ALL RIGHTS RESERVED.

LOC		DIST		REVISIONS			
P	LTR	DESCRIPTION		DATE	DWN	APVD	
		E4	REVISED	14AUG13	R.Z	T.N	



STANDARD (STD) CAP TYPE



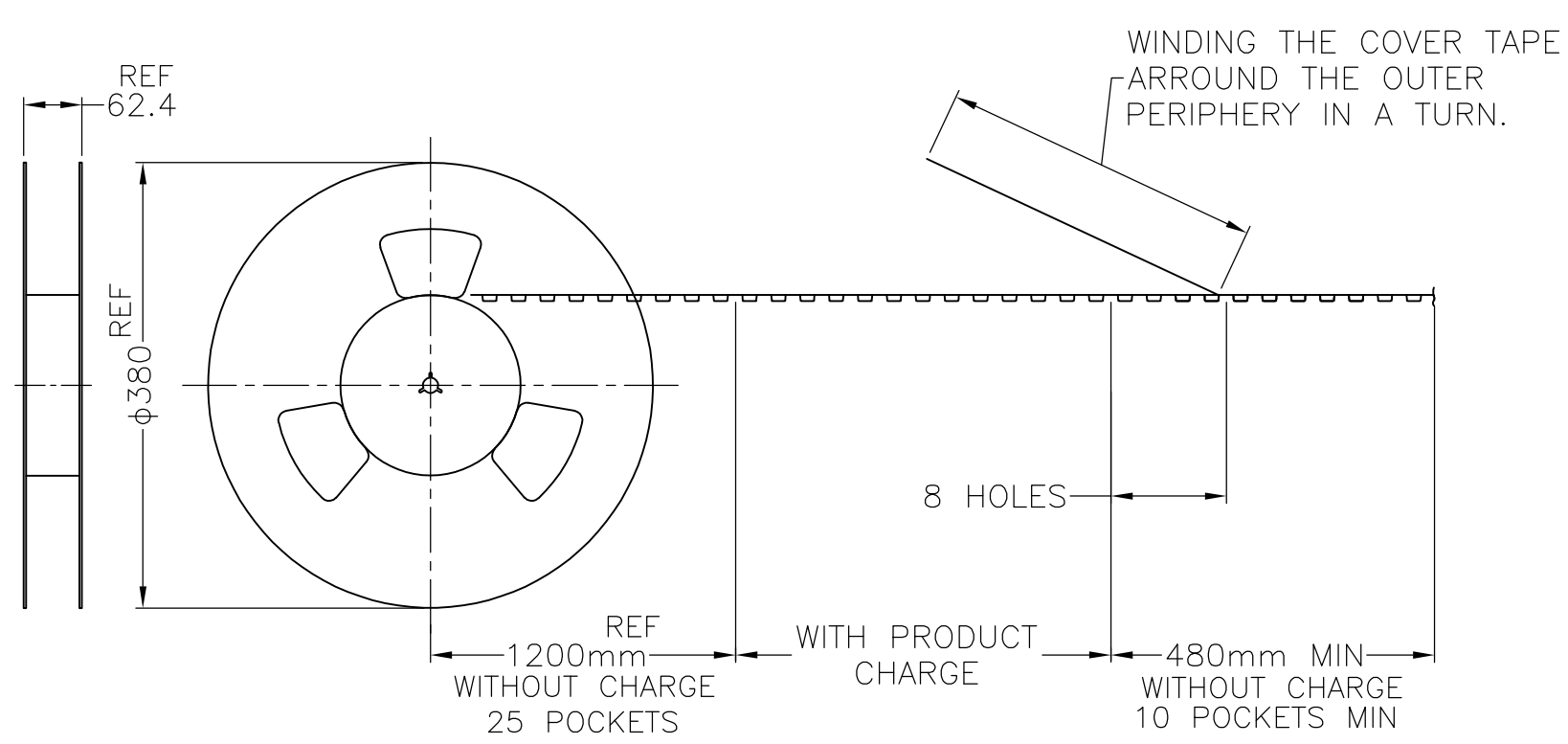
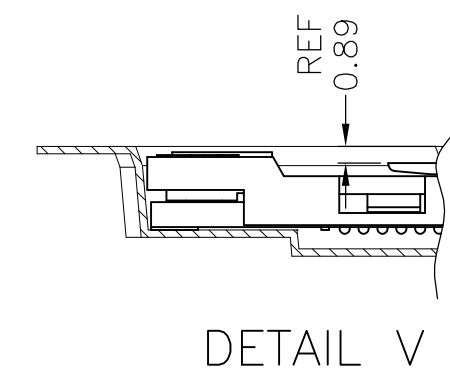
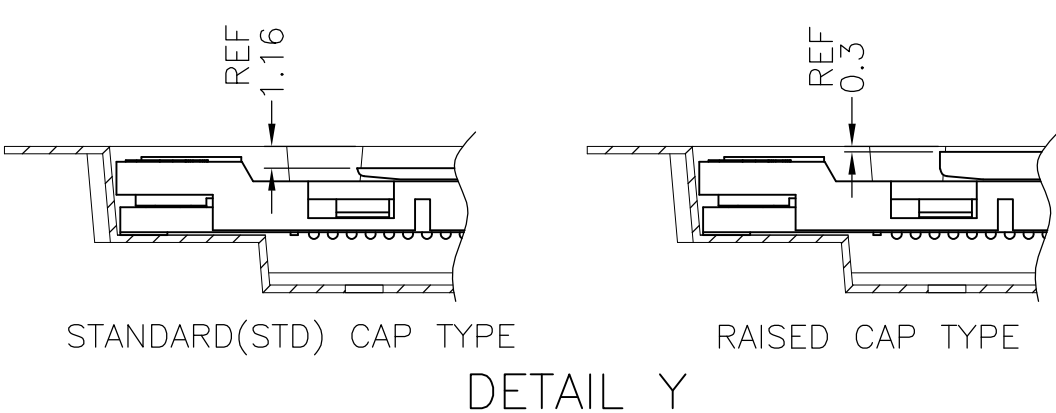
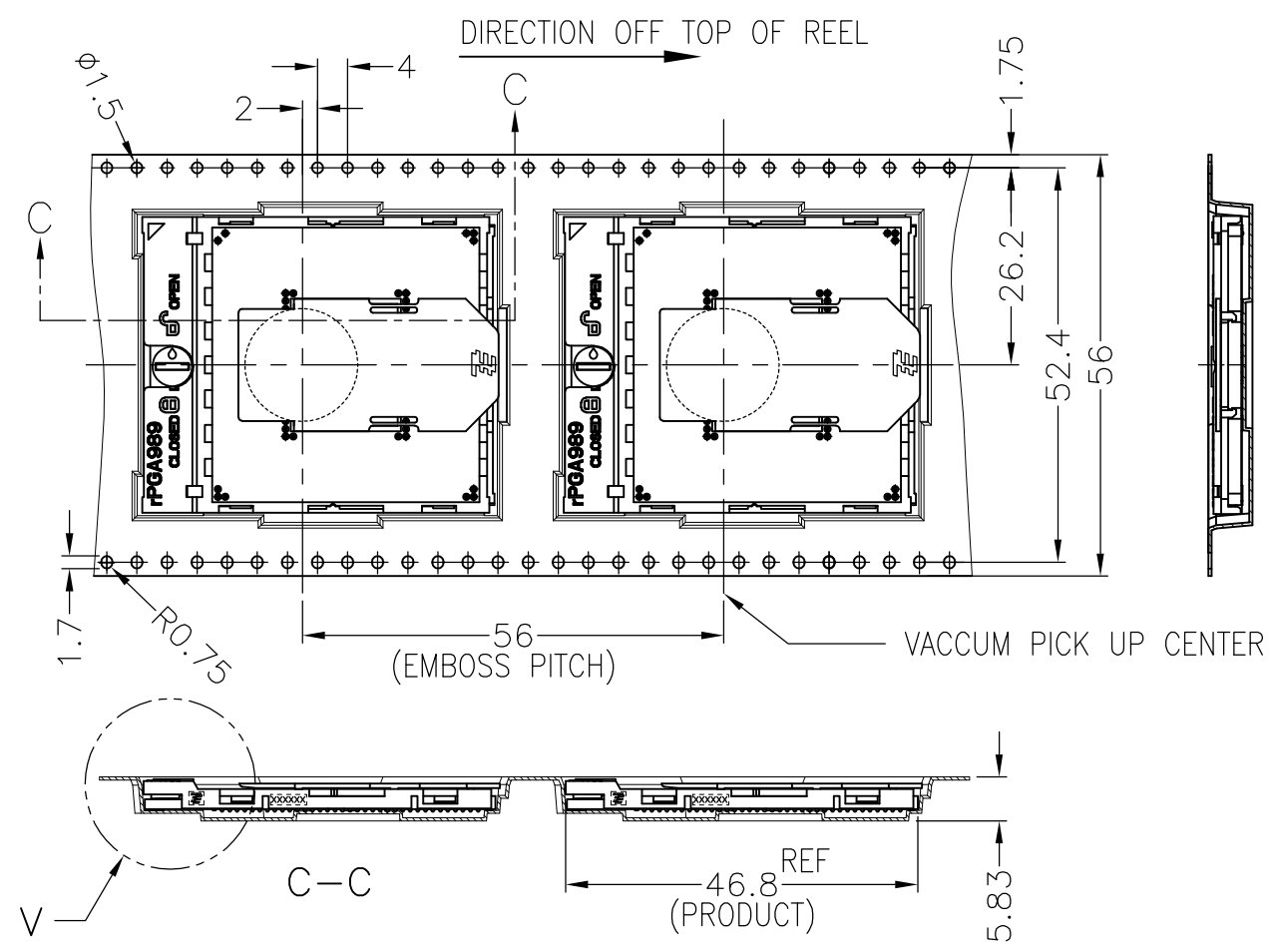
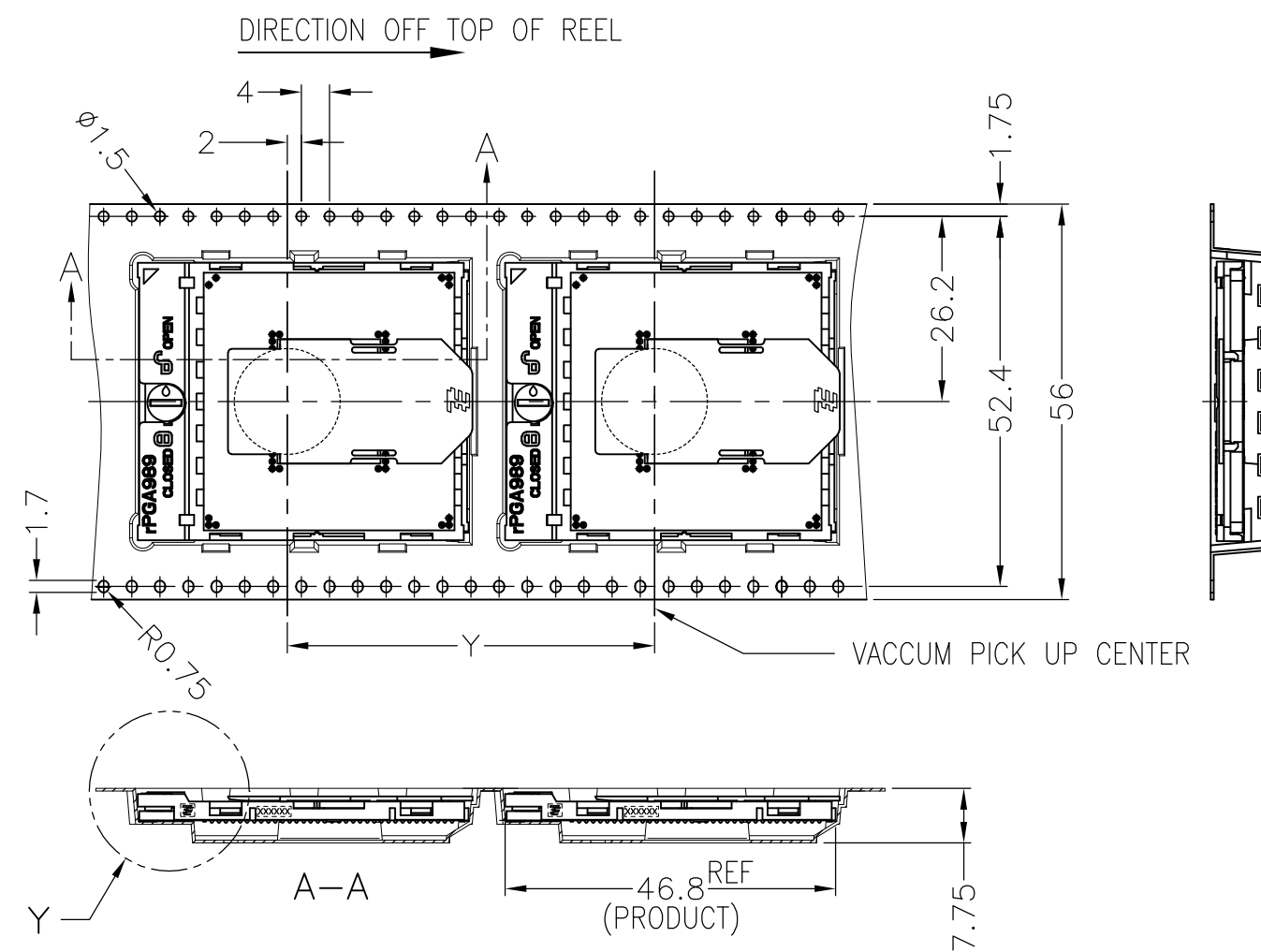
RAISED CAP TYPE

CAP ASSY CONDITION

THIS DRAWING IS A CONTROLLED DOCUMENT.		DWN RICK.ZHAO 09AUG2013			NAME	
DIMENSIONS: 单位: 毫米		CHK H.TAGUCHI 13AUG2013			SOCKET ASSY rPGA989 & rPGA988X	
TOLERANCES UNLESS OTHERWISE SPECIFIED: 一般公差		APVD T.NAKASHIMA 14AUG2013	SIZE	CAGE CODE	DRAWING NO	RESTRICTED TO
0-PLC ±0.3 1-PLC ±0.3 2-PLC ±0.3 3-PLC ±0.3 4-PLC ±0.3 ANGLES ±1°		PRODUCT SPEC 製品規格 108-78587	A2	00779	C=2013620	-
MATERIAL 材料 SEE NOTE		APPLICATION SPEC 取付適用規格 114-5445	WEIGHT SEE SHEET 4 OF 7		SCALE 尺度 NTS	SHEET 1 OF 7
		CUSTOMER DRAWING		REV E4		

THIS DRAWING IS UNPUBLISHED. RELEASED FOR PUBLICATION
 © COPYRIGHT - By Tyco Electronics Japan G.K. ALL RIGHTS RESERVED.

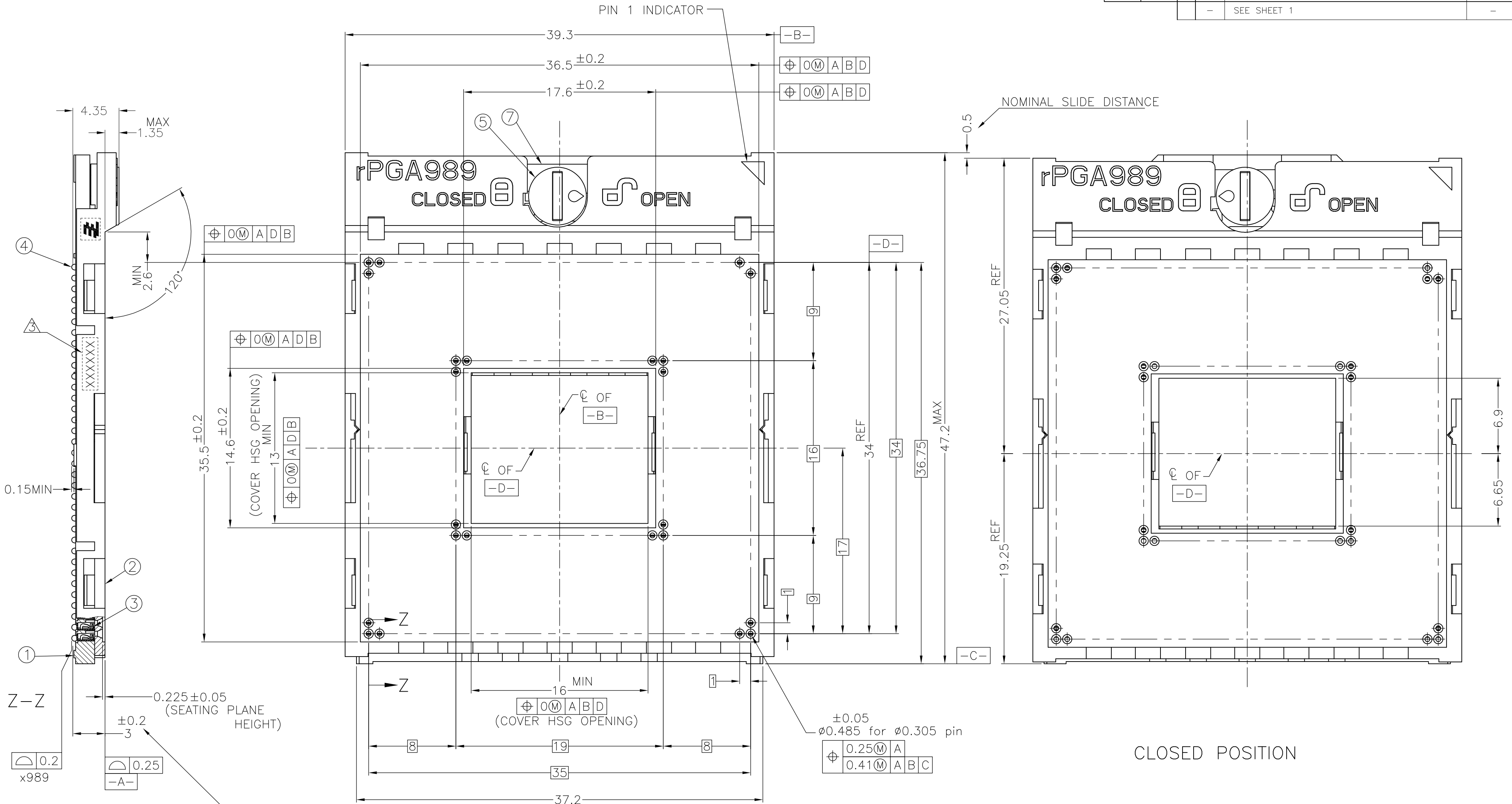
LOC		DIST		REVISONS			DATE	DWN	APVD
P	LTR	DESCRIPTION							
-	-	SEE SHEET 1			-	-	-	-	-



THIS DRAWING IS A CONTROLLED DOCUMENT.		DWN	TE Connectivity	
DIMENSIONS: 単位: 種 mm		CHK	NAME 名称	
TOLERANCES UNLESS OTHERWISE SPECIFIED: 一般公差		APVD	SOCKET ASSY rPGA989 & rPGA988X	
0-PLC ±0.3		PRODUCT SPEC	SIZE	CAGE CODE
1-PLC ±0.3		製品規格	A2	00779
2-PLC ±0.3		APPLICATION SPEC	DRAWING NO	RESTRICTED TO
3-PLC ±0.3		取付適用規格	番号	-
4-PLC ±0.3		WEIGHT	C=2013620	
ANGLES ±1°		CUSTOMER DRAWING	SCALE	SHEET
FINISH 仕上		NTS	2 of 7	REV E4

THIS DRAWING IS UNPUBLISHED. RELEASED FOR PUBLICATION
 © COPYRIGHT - By Tyco Electronics Japan G.K. ALL RIGHTS RESERVED.

LOC		DIST		REVISIONS			DATE	DWN	APVD
P	LTR	DESCRIPTION							
-	-	SEE SHEET 1			-	-	-	-	-



SOCKET HEIGHT AFTER REFLOW

1. MATERIAL

- ① BASE HOUSING : HIGH TEMP, THERMOPLASTIC, UL94V-0
 - ② COVER HOUSING : HIGH TEMP, THERMOPLASTIC, UL94V-0
 - ③ CONTACT : COPPER ALLOY
FINISH : 0.00038 MIN Au PL. AT CONTACT AREA ON ALL OVER Ni UNDER PL. 0.00127 MIN.
 - ④ SOLDER BALL : Sn/Ag/Cu
 - ⑤ CAM : STAINLESS STEEL
 - ⑥ BASE PLATE : STAINLESS STEEL
 - ⑦ SLIDE PLATE : STAINLESS STEEL
 - ⑧ WASHER : STAINLESS STEEL
FINISH : W/O PL. FOR 2013620-1
W/O PL. OR BLACK Ni PL. FOR OTHERS
 - ⑨ PnP CAP : HIGH TEMP, THERMOPLASTIC, UL94V-0, BLACK
- △ CAM OPERATION ANGLE : 180DEG
 △ INDICTED DATE CODE ON THE HSG

rPGA989 AS SHOWN
CAP IS REMOVED

4. LOW HALOGEN SPEC:
- CHLORINE (Cl): 900 ppm MAX.
 - BROMINE (Br): 900 ppm MAX.
 - CHLORINE (Cl) + BROMINE (Br): 1500 ppm MAX.

±0.05 ø0.485 for ø0.305 pin	
ø 0.25(M) A	
ø 0.41(M) A B C	

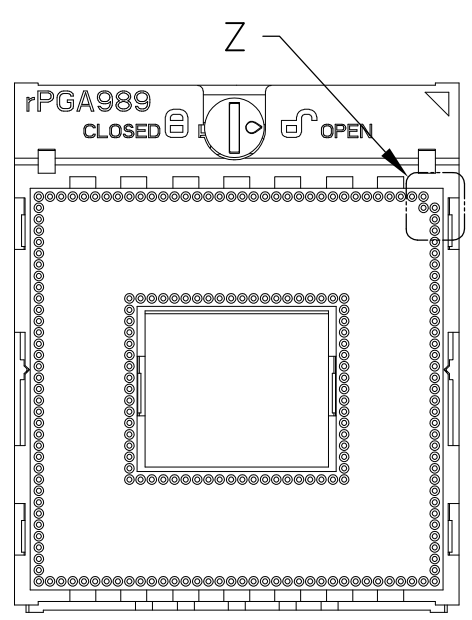
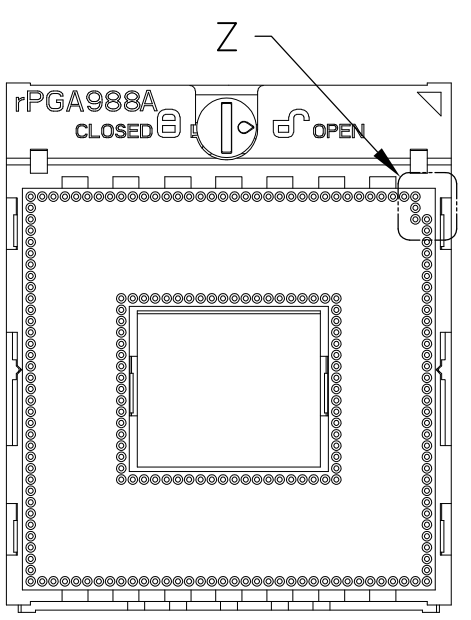
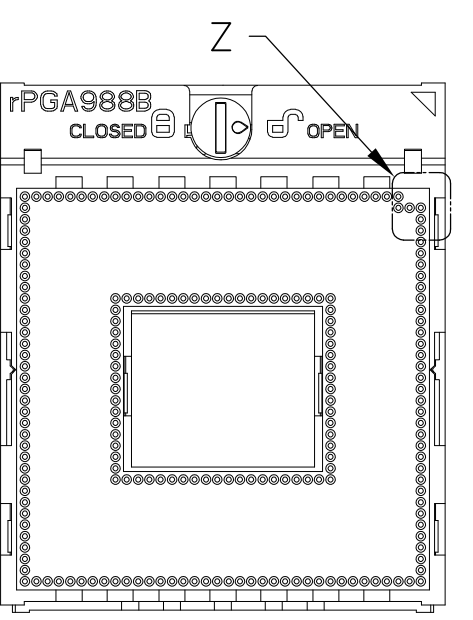
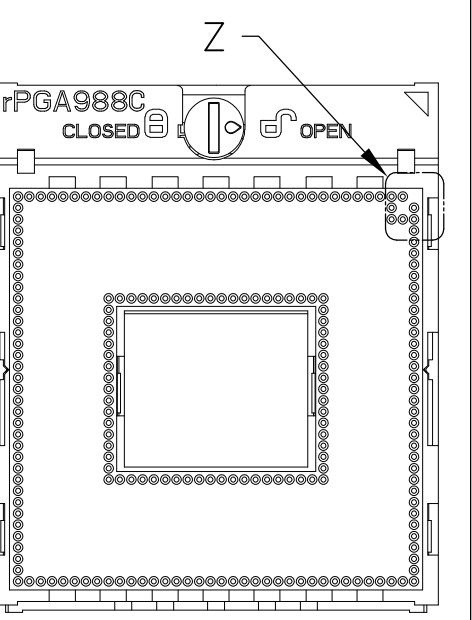
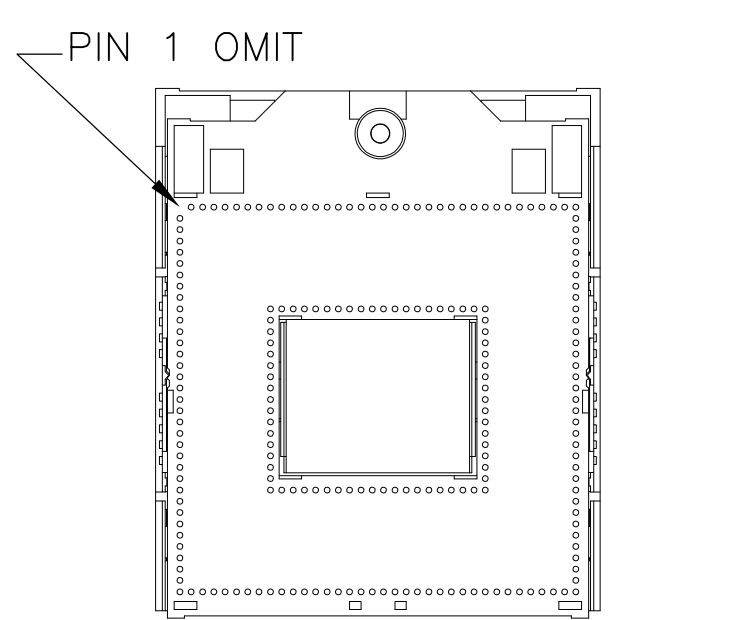
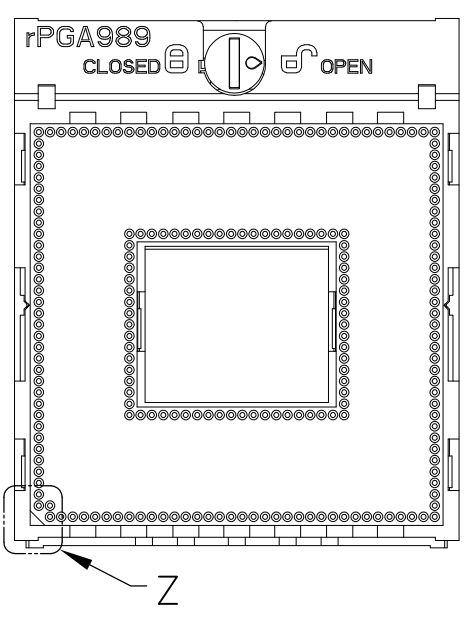
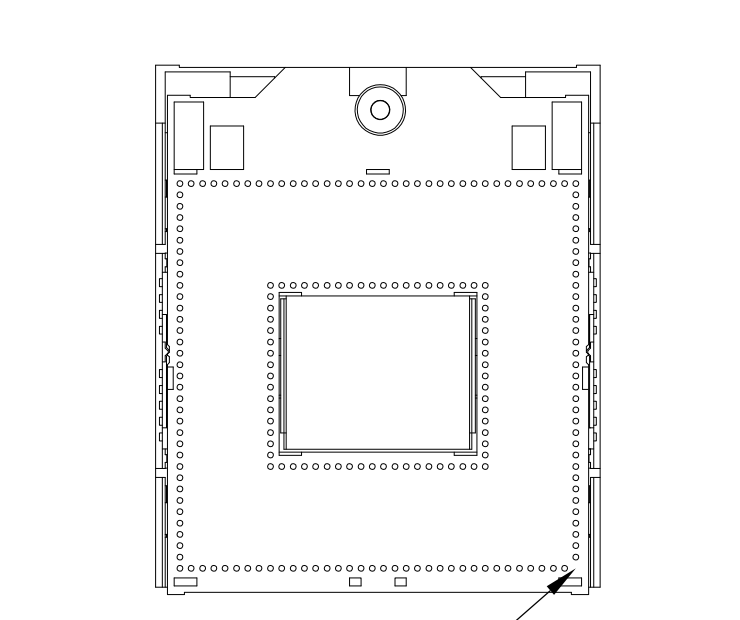
THIS DRAWING IS A CONTROLLED DOCUMENT.		DWN	TE Connectivity	
DIMENSIONS: 単位: 種 mm		CHK	NAME 名称	
TOLERANCES UNLESS OTHERWISE SPECIFIED: 一般公差		APVD	PRODUCT SPEC 製品規格	
①-PLC ±0.3		APPLICATION SPEC 取付適用規格		
②-PLC ±0.3		SIZE	CAGE CODE	DRAWING NO 番号
③-PLC ±0.3		A2	00779	C=2013620
④-PLC ±0.3		RESTRICTED TO		
ANGLES ±		WEIGHT		
FINISH 仕上		CUSTOMER DRAWING		
		SCALE 尺度	SHEET	REV
		4:1	3 of 7	E4

THIS DRAWING IS UNPUBLISHED. RELEASED FOR PUBLICATION
 © COPYRIGHT - By Tyco Electronics Japan G.K. ALL RIGHTS RESERVED.

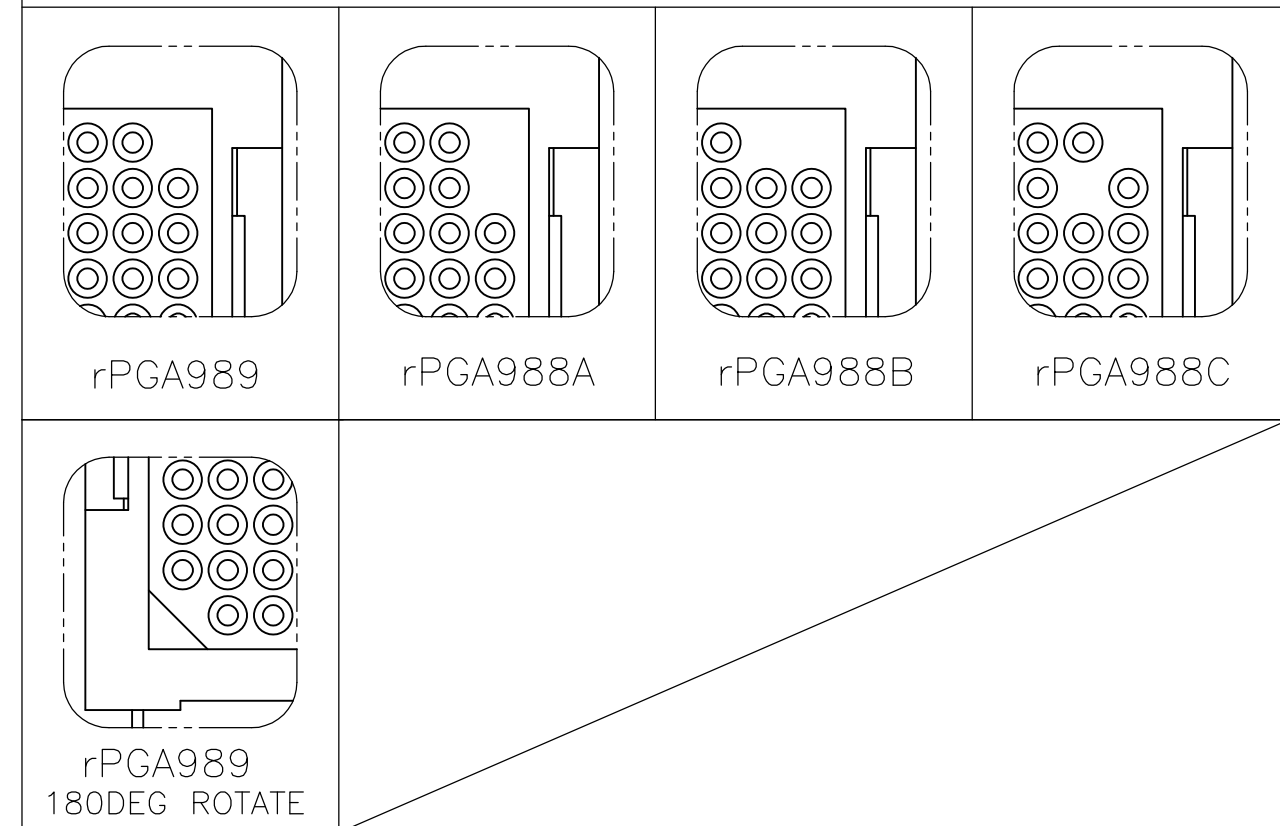
LOC		DIST		REVISIONS			
P	LTR	DATE	DWN	APVD	DESCRIPTION		
-	-	-	-	-	SEE SHEET 1		

PRODUCT TOP VIEW (WITHOUT CAP)

PRODUCT BOTTOM VIEW

PACKAGE ORIENTATION	rPGA989	rPGA988A	rPGA988B	rPGA988C	rPGA989/988A/988B/988C
STANDARD	 989 COVER HOLES 989 SOLDER BALLS	 988 COVER HOLES 989 SOLDER BALLS	 988 COVER HOLES 989 SOLDER BALLS	 988 COVER HOLES 989 SOLDER BALLS	 PIN 1 OMIT
180DEG ROTATE	 989 COVER HOLES 989 SOLDER BALLS				 PIN 1 OMIT

DETAIL Z
COVER HOLE CONFIGURATION



	7.7	56	120	TAPE & REEL	STD	rPGA989 180DEG ROTATE	5-2013620-3
	7.7	52	160	TAPE & REEL	STD	rPGA989 180DEG ROTATE	5-2013620-2
OBSOLETE	-7.8	56	120	TAPE & REEL	RAISED	rPGA988B	4-2013620-5
	-7.8	56	120	TAPE & REEL	RAISED	rPGA988A	4-2013620-4
	7.8	56	120	TAPE & REEL	RAISED	rPGA989	4-2013620-3
OBSOLETE	-7.7	52	160	TAPE & REEL	STD	rPGA988C	N/A
	7.7	56	120	TAPE & REEL	STD	rPGA988B	2-2013620-3
	-7.7	52	160	TAPE & REEL	STD	rPGA988B	2-2013620-2
OBSOLETE	-7.7	56	120	TAPE & REEL	STD	rPGA988A	1-2013620-3
	-7.7	52	160	TAPE & REEL	STD	rPGA988A	1-2013620-2
	7.7	56	180	TAPE & REEL	STD	rPGA989	2013620-4
	7.7	56	120	TAPE & REEL	STD	rPGA989	2013620-3
	7.7	52	160	TAPE & REEL	STD	rPGA989	2013620-2
	7.7	56	180	HARD TRAY	STD	rPGA989	2013620-1
			18				
	PRODUCT WEIGHT (g/SOCKET)	DIMENSION Y	SOCKET QTY PER TRAY OR REEL	PACKAGE TYPE	CAP TYPE	SOCKET TYPE	PART NO.

THIS DRAWING IS A CONTROLLED DOCUMENT. DWN: 01APR2008

DIMENSIONS: 単位: 種 mm TOLERANCES UNLESS OTHERWISE SPECIFIED: 一般公差

0-PLC ±0.3
1-PLC ±0.3
2-PLC ±0.3
3-PLC ±0.3
4-PLC ±0.3
ANGLES ±

FINISH 仕上

TE Connectivity

SOCKET ASSY
rPGA989 & rPGA988X

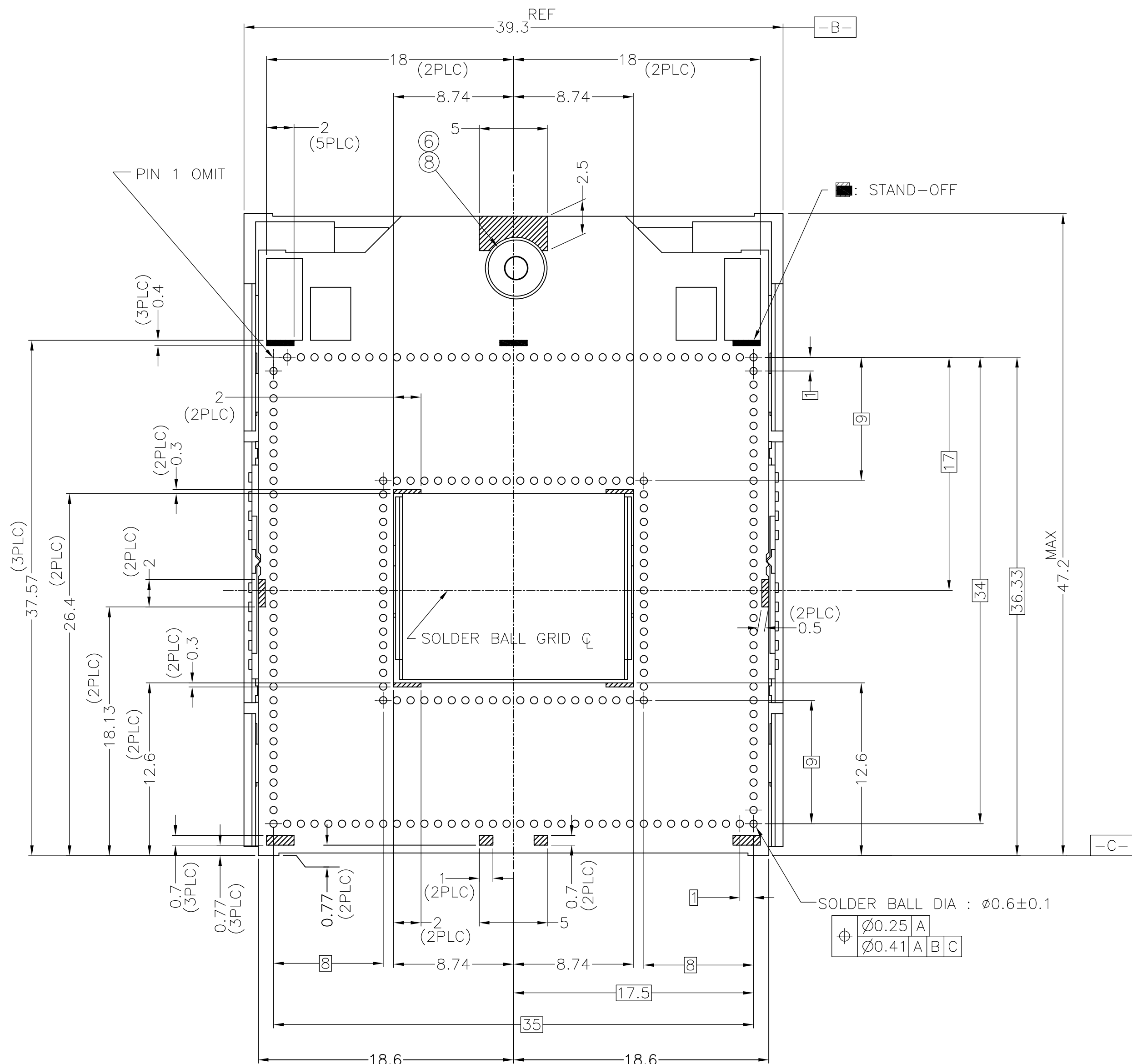
SIZE: A2 CAGE CODE: 00779 DRAWING NO: 2013620

WEIGHT: -

CUSTOMER DRAWING SCALE: 4:1 SHEET: 4 of 7 REV: E4

THIS DRAWING IS UNPUBLISHED. RELEASED FOR PUBLICATION
 © COPYRIGHT - By Tyco Electronics Japan G.K. ALL RIGHTS RESERVED.

LOC	DIST	REVISIONS			DATE	DWN	APVD
		P	LTR	DESCRIPTION			
-	-	-	-	SEE SHEET 1	-	-	-



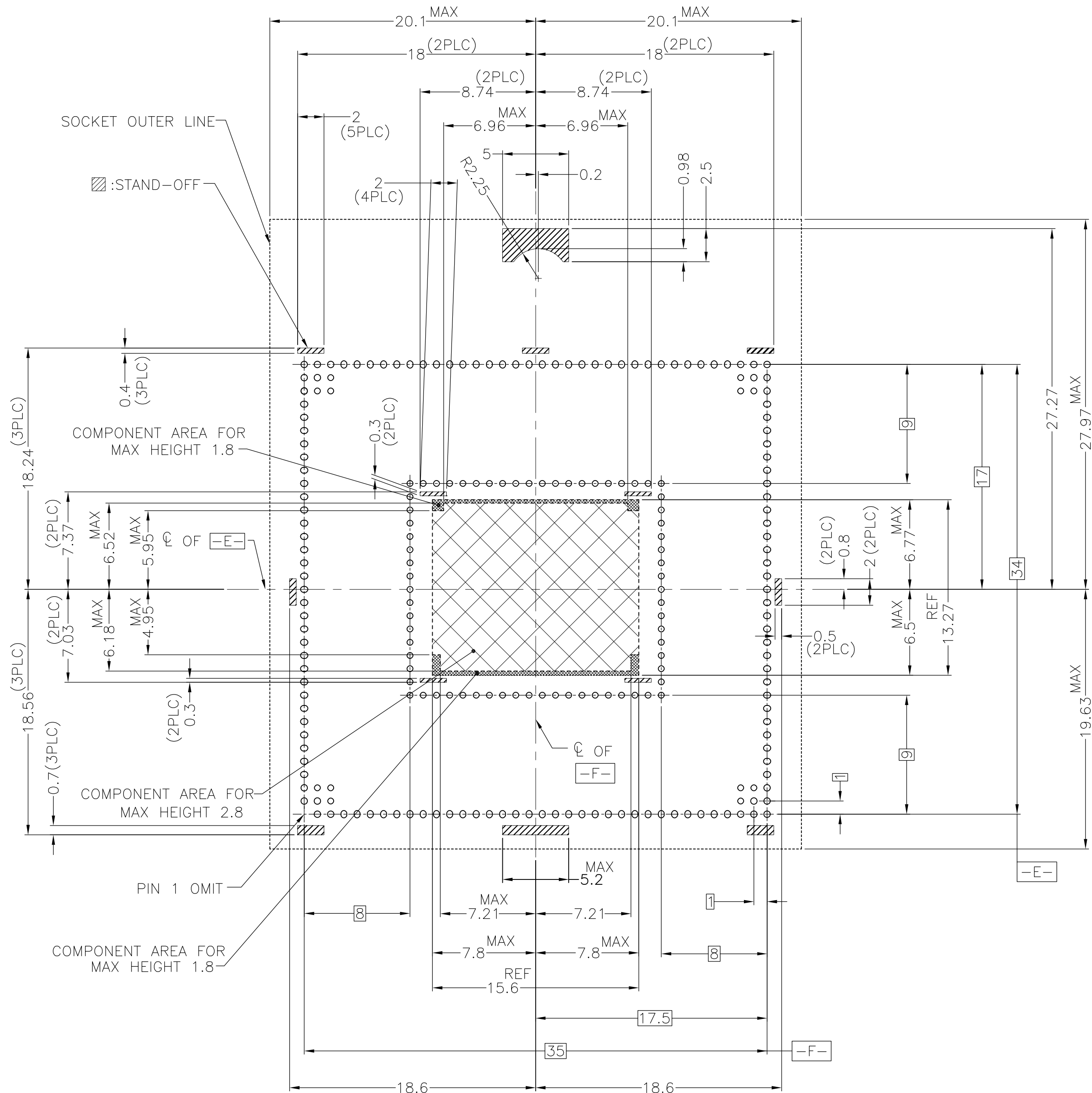
BOTTOM VIEW
(OPEN POSITION)

2013620-1 : AS SHOWN

THIS DRAWING IS A CONTROLLED DOCUMENT.		DWN	01APR2008		TE Connectivity												
DIMENSIONS: 単位: 種 mm		CHK	-														
TOLERANCES UNLESS OTHERWISE SPECIFIED: 一般公差		APVD	-		NAME 名称												
<table border="1"> <tr><td>0-PLC</td><td>±0.3</td></tr> <tr><td>1-PLC</td><td>±0.3</td></tr> <tr><td>2-PLC</td><td>±0.3</td></tr> <tr><td>3-PLC</td><td>±0.3</td></tr> <tr><td>4-PLC</td><td>±0.3</td></tr> <tr><td>ANGLES</td><td>±</td></tr> </table>		0-PLC	±0.3	1-PLC	±0.3	2-PLC	±0.3	3-PLC	±0.3	4-PLC	±0.3	ANGLES	±	PRODUCT SPEC 製品規格		SOCKET ASSY rPGA989 & rPGA988X	
0-PLC	±0.3																
1-PLC	±0.3																
2-PLC	±0.3																
3-PLC	±0.3																
4-PLC	±0.3																
ANGLES	±																
MATERIAL 材料		APPLICATION SPEC 取付適用規格		SIZE	RESTRICTED TO												
FINISH 仕上		WEIGHT		CAGE CODE	DRAWING NO 番号												
		CUSTOMER DRAWING		A2 00779	C=2013620												
		SCALE 尺度 4:1		SHEET 5 of 7	REV E4												

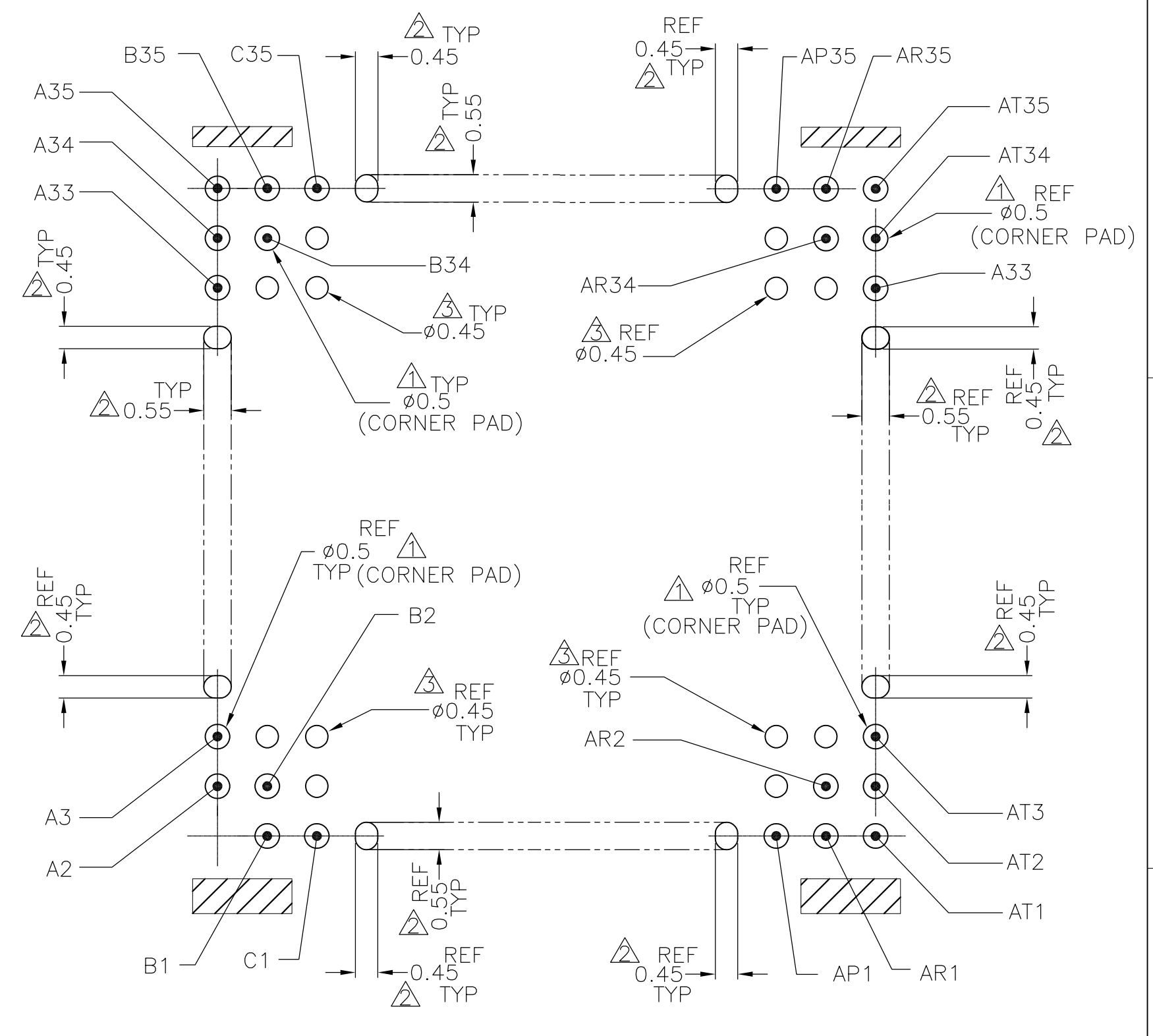
THIS DRAWING IS UNPUBLISHED. RELEASED FOR PUBLICATION
 © COPYRIGHT - By Tyco Electronics Japan G.K. ALL RIGHTS RESERVED.

LOC	DIST	P	LTR	REVISIONS 我変更	DATE	DWN	APVD
-	-	-	-	SEE SHEET 1	-	-	-



PCB LAYOUT

5-2013620-X AS SHOWN
(180DEG ROTATE TYPE)



DETAIL FOR CORNER PAD

THIS DRAWING IS A CONTROLLED DOCUMENT.		DWN	01APR2008	
DIMENSIONS: 単位: 種 mm		CHK	-	
TOLERANCES UNLESS OTHERWISE SPECIFIED: 一般公差		APVD	-	
0-PLC ±0.3		NAME 名称		
1-PLC ±0.3		PRODUCT SPEC 製品規格		
2-PLC ±0.3		APPLICATION SPEC 取付適用規格		
3-PLC ±0.3		SIZE	CAGE CODE	DRAWING NO 番号
4-PLC ±0.3		WEIGHT	A2	00779
ANGLES ±		RESTRICTED TO		
FINISH 仕上		C=2013620		
-		CUSTOMER DRAWING		SCALE 尺度 4:1
-		SHEET 7 of 7		REV E4

Mouser Electronics

Authorized Distributor

Click to View Pricing, Inventory, Delivery & Lifecycle Information:

[TE Connectivity:](#)

[1-2013620-3](#)