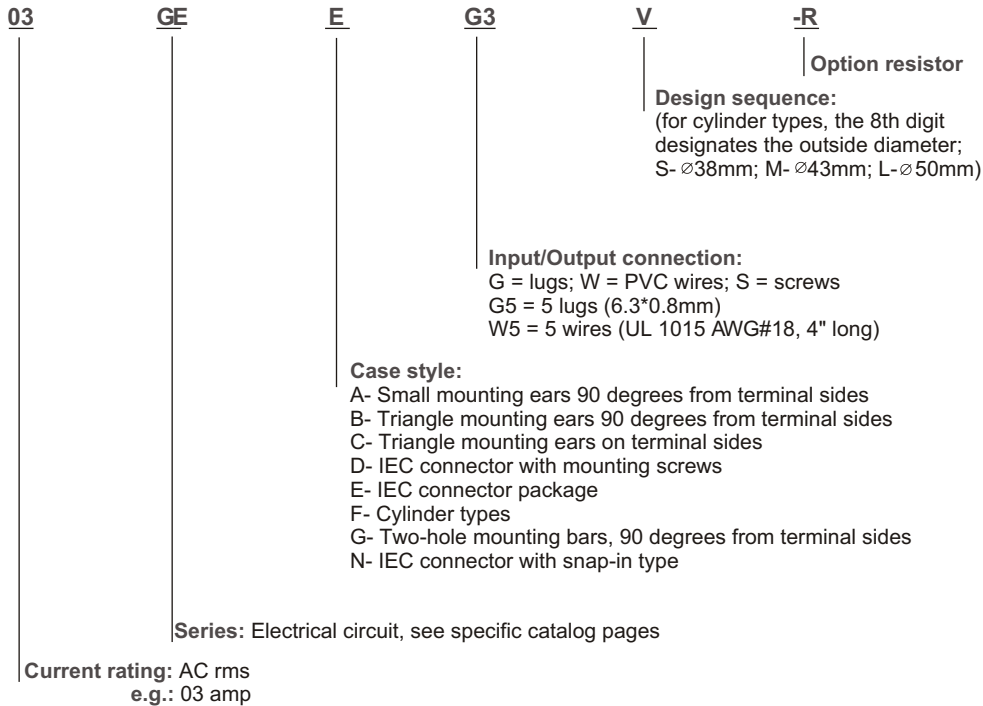
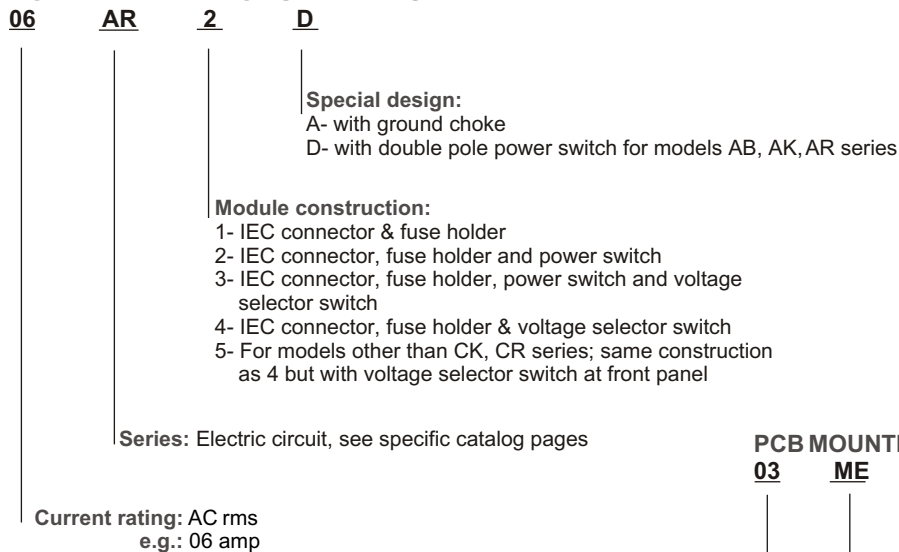


DELTA PARTS NUMBERING SYSTEM

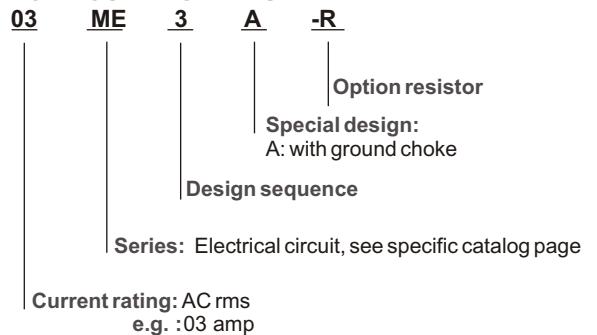
MODELS OTHER THAN POWER ENTRY MODULE TYPES AND P.C. BOARD MOUNTING TYPES



POWER ENTRY MODULE TYPES



PCB MOUNTING TYPES



DELTA PARTS NUMBERING SYSTEM

3-Phase Types

10

TD

S6

D

Current rating: AC rms
e.g.: 10 amp

Series:

TD: used in "Δ" system
TDH: used in "Δ" system
TDR: used in "Δ" system, vertical style
TDV: used in "Δ" system, vertical style
TDS: used in "Δ" system, screw style
TY: used in both "Δ" & "y" system
TYS: used in "Δ" & "y" system, screw style
TYT: used in "Δ" & "y" system terminal block style
PT: P.C.B. Filter
PY: P.C.B. Filter

Input/Output connection :

G = lugs; W = PVC wires; S = screws; T = terminal blocks
e.g.
G6 = 6 lugs
W6 = 6 wires
T2: 2 terminal blocks
TIW4: 1 terminal block / 4 wires

Special Design:

Dual: diff. and common choke

