



Series 0513 Pin-Line Collet Sockets with Solder Tail Pins

FEATURES:

- Rows of socket strips may be mounted on any centers and are end-to-end or side-by-side stackable for .100 [2.54] grid or matrix patterns.
- Available with solder tail or wire wrap pins. Consult Data Sheet No. 12014 for wire wrap pins.
- "Break" feature allows strips to be cut to the number of positions desired.

SPECIFICATIONS:

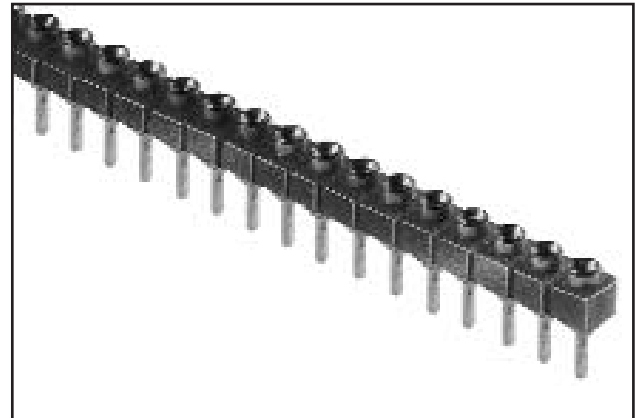
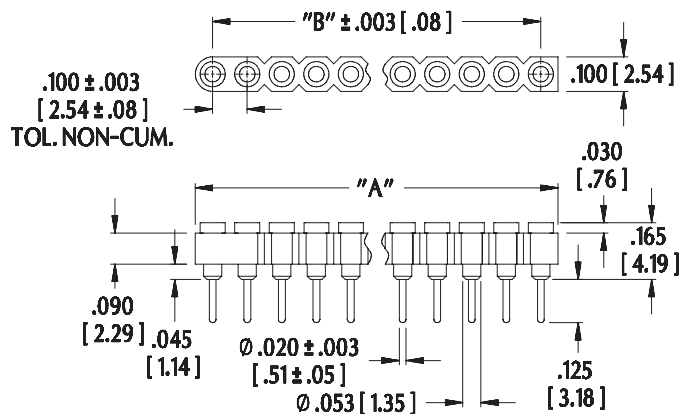
- Body material is black UL 94V-0 Glass-filled 4/6 Nylon.
- Pin body is Brass Alloy 360 1/2 hard per UNS C36000 ASTM-B16-00.
- Pin body plating is either 10 μ [.25 μ m] min. Gold per MIL-G-45204 or 200 μ [5.08 μ m] min. 93/7 Tin/Lead per ASTM B545 or 200 μ [5.08 μ m] min. Tin per ASTM B545 Type 1 over 100 μ [2.54 μ m] min. Nickel per SAE-AMS-QQ-N-290.
- 4-fingered collet contact is Beryllium Copper Alloy per UNS C17200 ASTM-B194-01.
- Contact plating is either 200 μ [5.08 μ m] min. 93/7 Tin/Lead per ASTM B545 or 200 μ [5.08 μ m] min Tin per ASTM B545 Type 1 or 10 μ [.25 μ m] Gold per MIL-G-45204 over 50 μ min. [1.27 μ m] Nickel per SAE-AMS-QQ-N-290. Heavy 30 μ [.76 μ m] Gold Plating also available.
- Contact current rating=3 Amps.
- Insertion Force=180 grams/pin; Withdrawal Force=90 grams/pin; Normal Force=140 grams/pin; based on a .018 [.46] dia. test lead.
- Operating temperature=221°F [105°C] Tin & Tin/Lead plating =257°F [125°C] Gold plating.
- Insertion Force=180 grams/pin; Withdrawal Force=90 grams/pin; Normal Force=140 grams/pin; based on a .018 [.46] dia. test lead.
- Accepts leads .015-.025 [.38-.64] in dia., .100-.146 [2.54-3.71] long.

MOUNTING CONSIDERATIONS:

- Suggested PCB hole size=.030 \pm .002 [.76 \pm .05] dia.

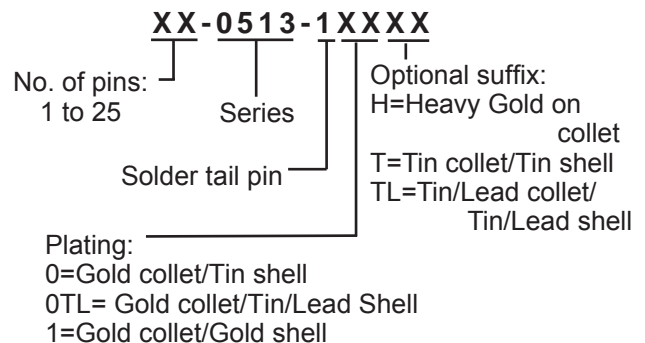
All tolerances \pm .005 [.13] unless otherwise specified

ALL DIMENSIONS: INCHES [MILLIMETERS]



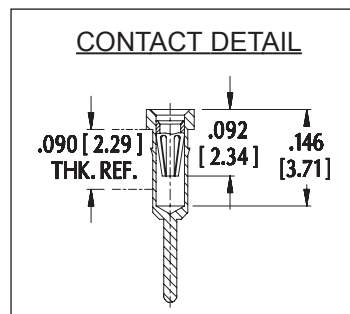
Note: Aries specializes in custom design and production. In addition to the standard products shown on this page, special materials, platings, sizes, and configurations can be furnished, depending on quantities. Aries reserves the right to change product specifications without notice.

ORDERING INFORMATION



Pin-Line collet sockets also available with wire wrap pins. Consult Data Sheet No. 12014.

"A"=NO. OF PINS PER ROW X .100 [2.54]
 "B"=(NO. OF PINS PER ROW - 1) X .100 [2.54]



Bristol, PA USA
 TEL: (215) 781-9956
 FAX: (215) 781-9845



12013
 REV. E

PRINTOUTS OF THIS DOCUMENT MAY BE OUT OF DATE AND SHOULD BE CONSIDERED UNCONTROLLED