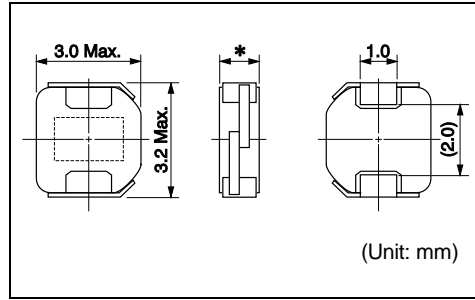
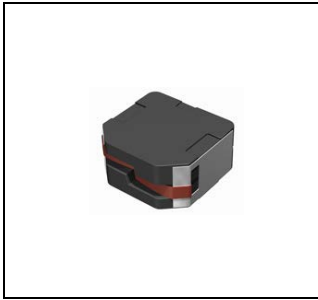


DEM2818C

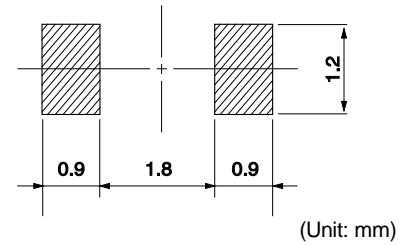


Inductance Range: 0.47~12μH



Recommended patterns

推荐焊盘尺寸



FEATURES 特点

- Low profile (2.8 × 3.0mm square, 1.8mm Max.height).
- Magnetically shielded construction and low DC resistance.
- Ideal for a variety of DC-DC converter inductor applications.
- Operating temperature (− 40~+85°C)
- 薄型构造（最大2.8×3.0毫米的平面，最大高度1.8毫米）
- 磁性屏蔽结构和低直流电阻
- 是适用于多种DC-DC转换器电感器的理想选择
- 使用温度范围：− 40 ~ +85°C

STANDARD PART NUMBERS 标准零件号码

TYPE DEM2818C (Magnetically Shielded, Quantity/reel; 2,000 PCS)

零件号码	电感值 ⁽¹⁾	公差	最大直流电阻 ⁽²⁾ (典型)	最大电感减小电流 ⁽³⁾ (典型)	最大温度上升电流 ⁽³⁾ (典型)
Part Number	Inductance ⁽¹⁾ (μH)	Tolerance (%)	DC Resistance ⁽²⁾ (mΩ) Max. (Typ.)	Inductance Decrease Current ⁽³⁾ (A) Max. (Typ.) $\frac{\Delta L}{L} = 30\%$	Temperature Rise Current ⁽³⁾ ΔT=40°C (A) Max. (Typ.)
1227AS-H-R47N=P2	0.47	± 30	20 (17)	3.3 (4.4)	4.7 (5.5)
1227AS-H-1R0N=P2	1.0	± 30	29 (24)	2.3 (3.1)	3.7 (4.3)
1227AS-H-1R5N=P2	1.5	± 30	32 (27)	2.0 (2.6)	3.4 (4.0)
1227AS-H-2R2M=P2	2.2	± 20	47 (39)	1.7 (2.2)	2.6 (3.1)
1227AS-H-3R3M=P2	3.3	± 20	67 (56)	1.3 (1.7)	2.0 (2.4)
1227AS-H-4R7M=P2	4.7	± 20	92 (77)	1.1 (1.4)	1.8 (2.1)
1227AS-H-6R8M=P2	6.8	± 20	146 (122)	0.90 (1.2)	1.3 (1.5)
1227AS-H-100M=P2	10	± 20	204 (170)	0.75 (1.0)	1.2 (1.4)
1227AS-H-120M=P2	12	± 20	258 (215)	0.65 (0.87)	1.0 (1.2)

(1) Inductance is measured with a LCR meter 4284A (Agilent Technologies) or equivalent. Test frequency at 100kHz

(2) DC resistance is measured with 34420A (Agilent Technologies) or 3541 (HIOKI). (Reference ambient temperature 25°C)

(3) Maximum allowable DC current is that which causes a 30% inductance reduction from the initial value, or coil temperature to rise by 40°C, whichever is smaller. (Reference ambient temperature 20°C)

(1) LCR仪表4284A (Agilent技术)或者功能相同的仪器在100kHz下测试电感值。

(2) 通过数码万用表34420A (Agilent技术) 或者3541(HIOKI)测试直流电阻。(环境温度为25°C)

(3) 允许最大直流电的范围是以下两者中比较小的一个：引起电感值从最初值降低30%，或者线圈温度升高40°C。(参考周围环境温度20°C)。