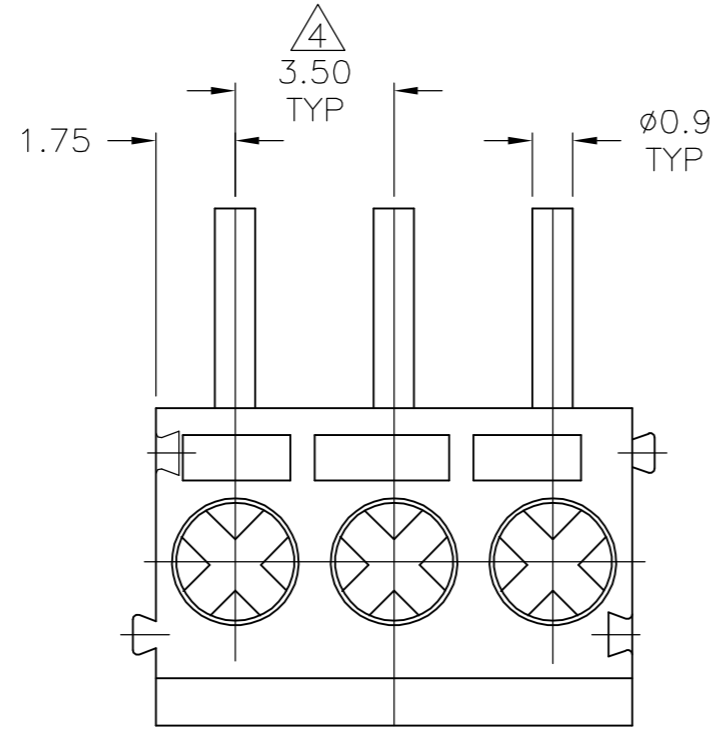


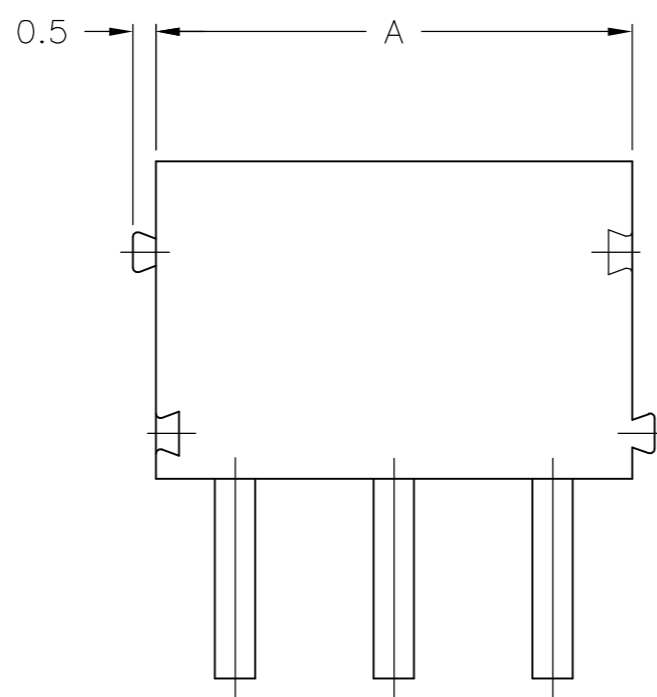
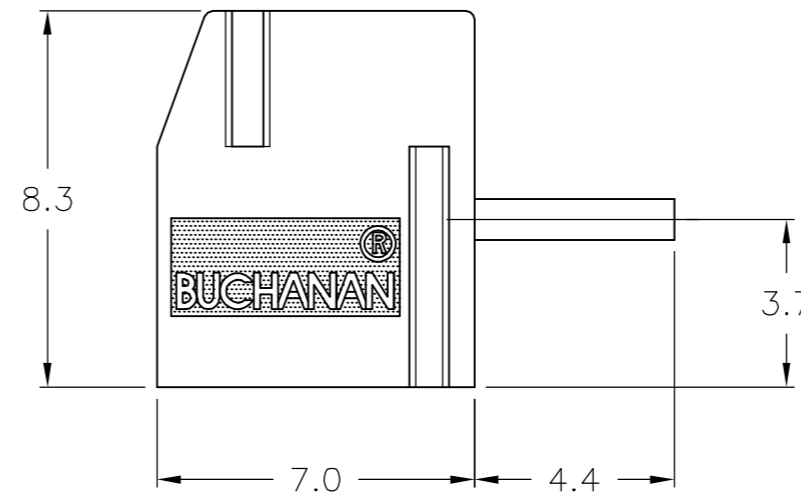
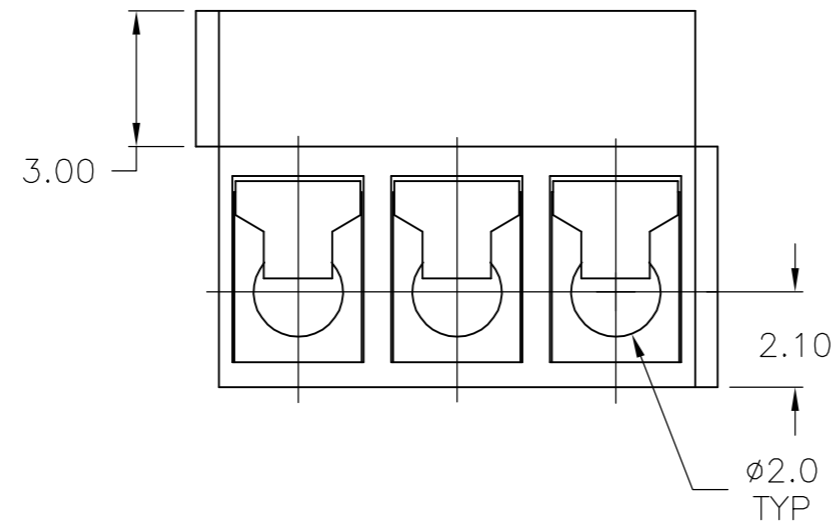
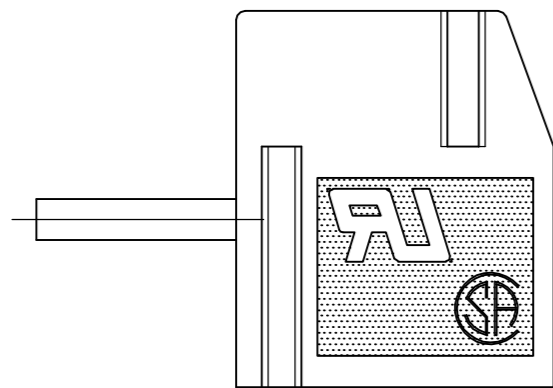
THIS DRAWING IS UNPUBLISHED. RELEASED FOR PUBLICATION
 © COPYRIGHT BY TYCO ELECTRONICS CORPORATION. ALL RIGHTS RESERVED.

LOC		DIST		REVISIONS			
P	LTR	DESCRIPTION		DATE	DWN	APVD	
	02	REVISED PER ECO-06-24591		10/19/06	SS	CR	



1. ALL DIMENSIONS ARE IN MM.
2. RECOMMENDED PC BOARD HOLE DIAMETER: 1.20MM TO 1.40MM.
3. BUCHANAN LOGO TO APPEAR ON HOUSING LOCATION OPTIONAL WHERE SPACE PERMITS.

△ NON CUMULATIVE



1776253-3 AS SHOWN

84.00	24	2-1776253-4
80.50	23	2-1776253-3
77.00	22	2-1776253-2
73.50	21	2-1776253-1
70.00	20	2-1776253-0
66.50	19	1-1776253-9
28.00	18	1-1776253-8
59.50	17	1-1776253-7
56.00	16	1-1776253-6
52.50	15	1-1776253-5
49.00	14	1-1776253-4
45.50	13	1-1776253-3
42.00	12	1-1776253-2
38.50	11	1-1776253-1
35.00	10	1-1776253-0
31.50	9	1776253-9
28.00	8	1776253-8
24.50	7	1776253-7
21.00	6	1776253-6
17.50	5	1776253-5
14.00	4	1776253-4
10.50	3	1776253-3
7.00	2	1776253-2
DIM A	NO OF POSN	PART NUMBER

THIS DRAWING IS A CONTROLLED DOCUMENT.		DWN	S	SCHLEGEL	5/6/05	Tyco Electronics Corporation Harrisburg, Pa 17105-3608
DIMENSIONS: mm		CHK	C	RICHARD	5/6/05	
TOLERANCES UNLESS OTHERWISE SPECIFIED:		APVD	C	RICHARD	5/6/05	
0 PLC ± - 1 PLC ± 0.3 2 PLC ± 0.25 3 PLC ± - 4 PLC ± - ANGLES ± - FINISH -		PRODUCT SPEC	NAME			
MATERIAL -		APPLICATION SPEC		TERMINAL BLOCK, PCB MOUNT, STRAIGHT TOP WIRE ENTRY, W/ INTERLOCK 3.5MM PITCH, HIGH TEMP		
		WEIGHT	-		SIZE	A2
		CUSTOMER DRAWING		CAGE CODE	00779	DRAWING NO
				C=1776253		RESTRICTED TO
				SCALE	NTS	SHEET 1 of 2
						REV 02

THIS DRAWING IS UNPUBLISHED. RELEASED FOR PUBLICATION
 © COPYRIGHT BY TYCO ELECTRONICS CORPORATION. ALL RIGHTS RESERVED.

LOC	DIST	REVISIONS					
FT	0	P	LTR	DESCRIPTION	DATE	DWN	APVD
		-		SEE SHEET 1	-	-	-

1. APPLICATION AND FEATURES:

- 1-1. STANDARD SIZES ARE 2 AND 3 WAY-BLOCKS, BUT EVERY NUMBER OF CONTACT CAN BE COMBINED, BY SIMPLY PLUGGING THEM TOGETHER AND CAN BE ORDERED AS REQUIRED.
- 1-2. WITH WIRE GUARD FOR WIRE PROTECTION SO THAT THE SCREW DOESN'T PRESS DIRECTLY ON THE WIRE.

2. TECHNICAL DATA:

- 2-1. MATERIAL:
 - 2-1-1. HOUSING: NYLON 6.6, UL 94 V-0, BLUE.
 - 2-1-2. METAL HOUSING: BRASS(Cu Zn)
Cu, TIN PLATED.
 - 2-1-3. WIRE GUARD: STAINLESS STEEL.
 - 2-1-4. SCREW: STEEL GALVANIZED AND CHROMATIZED, M2.6.


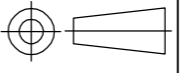
2-2. ELECTRICAL:

- 2-2-1. CURRENT RATING: RATING: 7 AMPS/WAY MAX.
- 2-2-2. CONTACT RESISTANCE: 20mΩ (MAX).
- 2-2-3. INSULATION RESISTANCE: 5000MΩ/1000V.
- 2-2-4. WITHSTANDING VOLTAGE: 1500 VAC/MIN.
- 2-2-5. OPERATION VOLTAGE: 250 VAC.
- 2-2-6. WIRE RANGE: 18-26 AWG.

2.3. MECHANICAL:

- 2-3-1. TORQUE: 4 Kg.cm (MAX).
- 2-3-3. OPERATING TEMPERATURE: -55°C to +105°C.
- 2-3-4. SOLDERABILITY: 95% COVERAGE (MIN).

1776253

THIS DRAWING IS A CONTROLLED DOCUMENT.		DWN	S SCHLEGEL	5/6/05	 Tyco Electronics Corporation Harrisburg, Pa 17105-3608
		CHK	C RICHARD	5/6/05	
		APVD	C RICHARD	5/6/05	
		PRODUCT SPEC			
DIMENSIONS: mm 		TOLERANCES UNLESS OTHERWISE SPECIFIED: 0 PLC ± - 1 PLC ± 0.3 2 PLC ± 0.25 3 PLC ± - 4 PLC ± - ANGLES ± - FINISH -		NAME TERMINAL BLOCK, PCB MOUNT, STRAIGHT TOP WIRE ENTRY, W/ INTERLOCK 3.5MM PITCH, HIGH TEMP	
MATERIAL -		WEIGHT	-	SIZE	A2
		CAGE CODE	00779	DRAWING NO	C=1776253
		CUSTOMER DRAWING	SCALE	NTS	SHEET 2 OF 2
		REV	02	RESTRICTED TO -	

Mouser Electronics

Authorized Distributor

Click to View Pricing, Inventory, Delivery & Lifecycle Information:

[TE Connectivity:](#)

[1-1776253-9](#)