


VS-PPC-C1-PC67-MNNA

Order No.: 1608142

<http://eshop.phoenixcontact.de/phoenix/treeViewClick.do?UID=1608142>

Protective cover, IP67, metal version, to cover the contact insert in the RJ45 and SCRJ push-pull panel mounting frames



Commercial data	
GTIN (EAN)	 4 046356 159982
sales group	D512
Pack	1 pcs.
Customs tariff	79070000
Catalog page information	Page 195 (PC-2009)

Product notes

WEEE/RoHS-compliant since:
09/27/2006

<http://www.download.phoenixcontact.com>
Please note that the data given here has been taken from the online catalog. For comprehensive information and data, please refer to the user documentation. The General Terms and Conditions of Use apply to Internet downloads.

Technical data

Mechanical characteristics

Insertion/withdrawal cycles	≥ 500
Color	Nickel-plated
Ambient temperature (operation)	-40 °C ... 70 °C

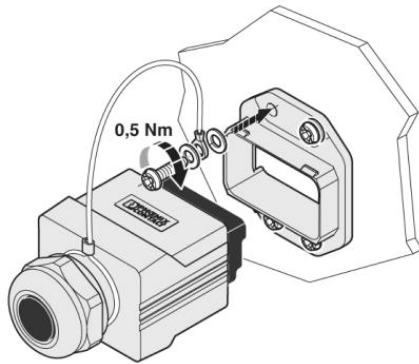
Material data

Inflammability class acc. to UL 94	V0
Housing material	Zinc die-cast
Housing surface material	Nickel-plated
Material	Metal
Material, O-ring	NBR
Material, housing intermediate seal	NBR
Degree of protection	IP65/67

Diagrams/Drawings

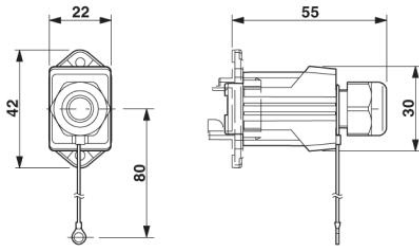
Explosion drawing

Mounting the protective cover



Dimensioned drawing

Protective cover for the Push-Pull panel mounting frame



Address

PHOENIX CONTACT Inc., USA
586 Fulling Mill Road
Middletown, PA 17057, USA
Phone (800) 888-7388
Fax (717) 944-1625
<http://www.phoenixcon.com>



© 2011 Phoenix Contact
Technical modifications reserved;