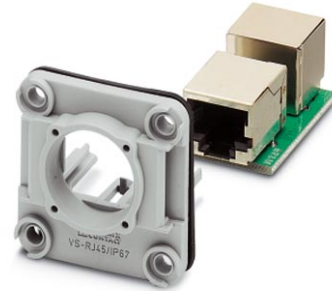


VS-08-A-RJ/MOD-F-IP67-SET-BU


Order No.: 1652910



<http://eshop.phoenixcontact.de/phoenix/treeViewClick.do?UID=1652910>


RJ45 panel mounting frame, IP67, with the Freenet system, for round panel cutout, with grommet, without mounting screws, with Freenet RJ45 socket insert, CAT5e, socket on socket

Ethernet

Commercial data	
GTIN (EAN)	 4 017918 951269
sales group	D510
Pack	5 pcs.
Customs tariff	85369010

Product notes

WEEE/RoHS-compliant since:
02/08/2006



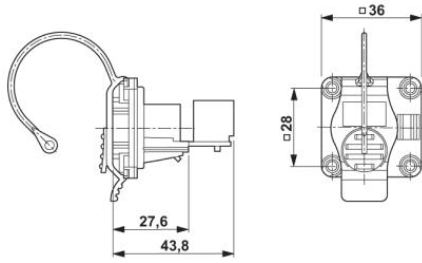
<http://www.download.phoenixcontact.com>
Please note that the data given here has been taken from the online catalog. For comprehensive information and data, please refer to the user documentation. The General Terms and Conditions of Use apply to Internet downloads.

Accessories

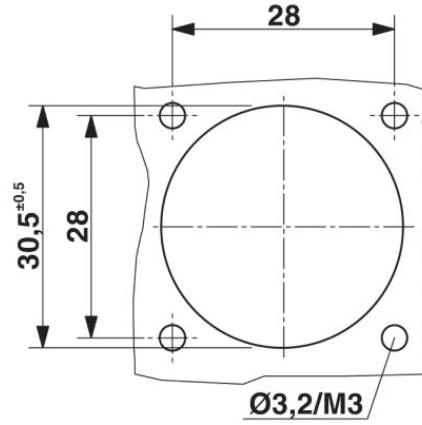
Item	Designation	Description
Protective covers		
1689200	VS-08-SD	Protective cover, IP67, tall design
1652606	VS-08-SD-F	Protective cover, IP67, flat design, to cover the contact insert in the panel mounting frame, color: gray

Diagrams/Drawings

Dimensioned drawing



RJ45 panel mounting frame, IP67



Panel cutout

Address

PHOENIX CONTACT Inc., USA
586 Fulling Mill Road
Middletown, PA 17057, USA
Phone (800) 888-7388
Fax (717) 944-1625
<http://www.phoenixcon.com>



© 2011 Phoenix Contact
Technical modifications reserved;