

Figure 1

1. INTRODUCTION

This instruction sheet provides termination procedures for the KLS Series 110Connect (Category 5e and Category 6) modular jacks.

Optional Bend-Limiting Strain Relief 1375200-2 (Category 5e) and 1375200-1 (Category 6) are available for the modular jacks. Strain Relief 1375157-1 may be used where space is limited.

NOTE



Dimensions in this instruction sheet are in metric units [with U.S. customary units in brackets]. Figures are not drawn to scale.

To obtain information on AMP NETCONNECT products, call PRODUCT INFORMATION at the number at the bottom of this page, or visit the AMP NETCONNECT website at www.ampnetconnect.com.

Reasons for reissue of this instruction sheet are provided in Section 5, REVISION SUMMARY.

2. DESCRIPTION

These modular jacks accept 4-pair, twisted-pair cable with solid conductor sizes 22 through 24 AWG or stranded conductors size 24 AWG. The modular jacks

AMP NETCONNECT logo is a trademark of Tyco Electronics.

accept cable having a maximum conductor insulation diameter of 1.45 mm [.057 in.]. The modular jack features a universal wiring label to aid in proper wire color coding.

3. TERMINATION

- Strip back only as much of the cable jacket as necessary to perform the termination. See Figure 2.

NOTE



Generally, a maximum strip length of 50.8 mm [2.0 in.] will meet the needs of most applications, depending on method of termination.

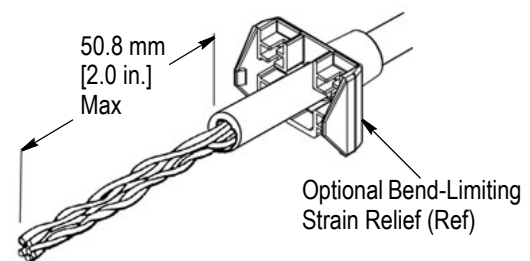


Figure 2

- If using the optional bend-limiting strain relief, slide it over cable jacket as shown in Figure 2.
- Align and lace a color-coded wire pair with the appropriate slots of the modular jack as indicated by the color coding on the wiring label (use minimum slack while maintaining twist, as indicated in Figure 3). Keep wire pairs twisted to within 12.7 mm [.50 in.] for Category 5e modular jacks and 6.0 mm [.24 in.] for Category 6 modular jacks.

NOTE



Wire termination requires the use of Impact Tool 558418-1 or Tool Kit 1725150-[-]. Refer to 408-8858 for instructions.

CAUTION



Set the impact tool setting for low-impact. Position the tool so the cutoff blade is on the outside of the modular jack and oriented vertically. Refer to Figure 3.

- Use the tool to punch the wires down into the slot and cut off excess wire. Remove any loose wire pieces.
- Repeat Steps 3 and 4 with all wire pairs.
- If used, slide the bend-limiting strain relief onto the modular jack until the latches on the strain relief engage the tabs on the rear of the modular jack as indicated in Figure 3.

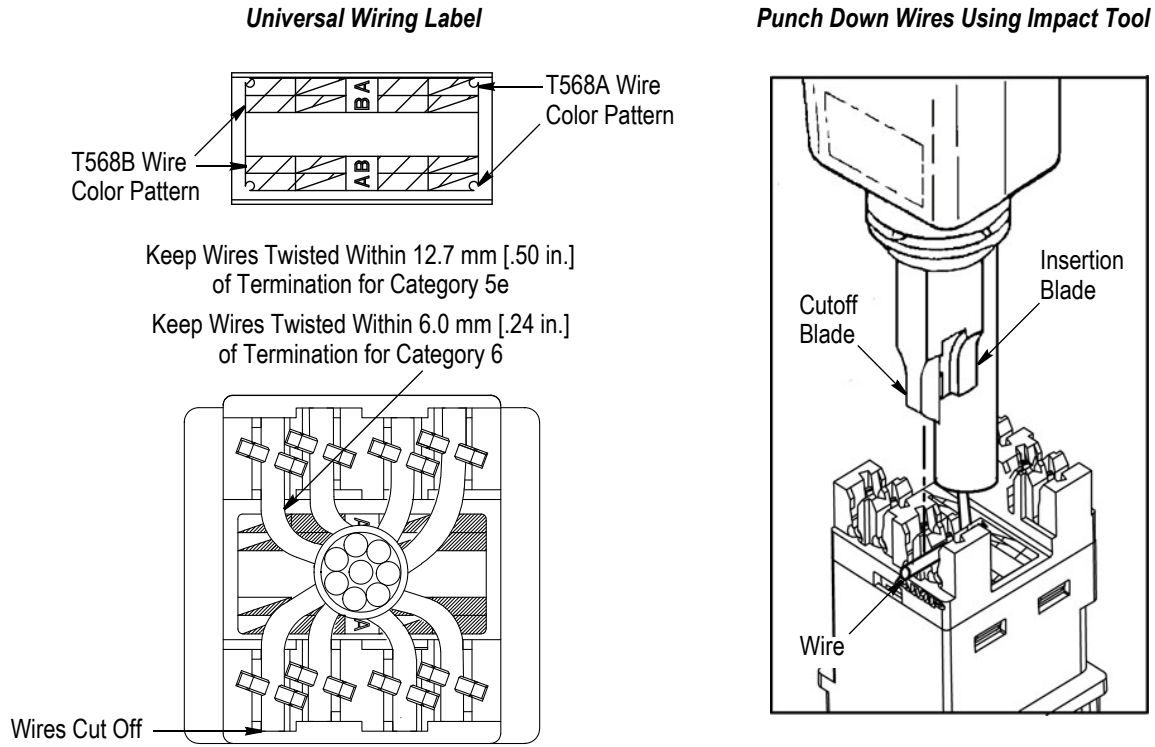
4. REPLACEMENT AND REPAIR

These modular jacks are not repairable. DO NOT use any damaged or defective modular jacks.

5. REVISION SUMMARY

Revisions to this instruction sheet include:

- Updated instruction sheet to corporate requirements



Installing Optional Bend-Limiting Strain Relief

Note: Cable Not Shown for Clarity

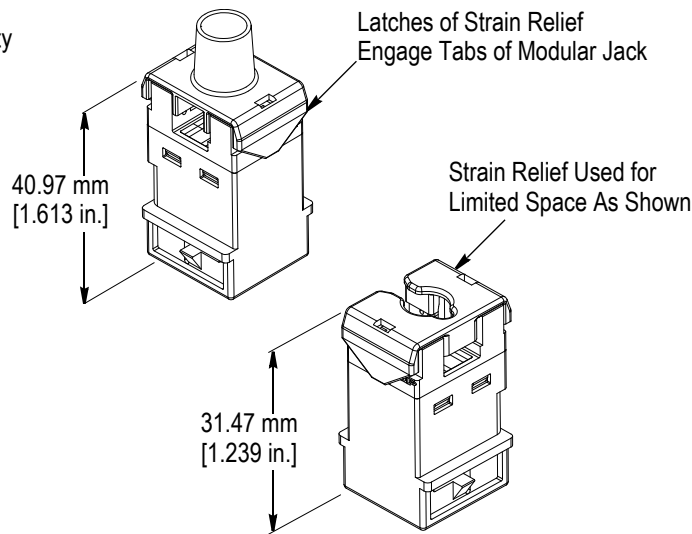


Figure 3