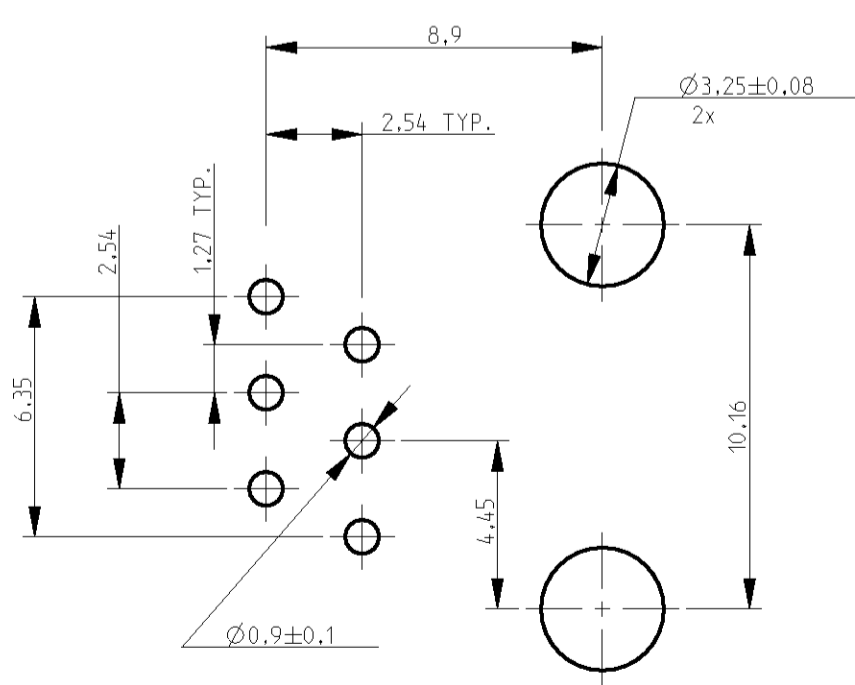
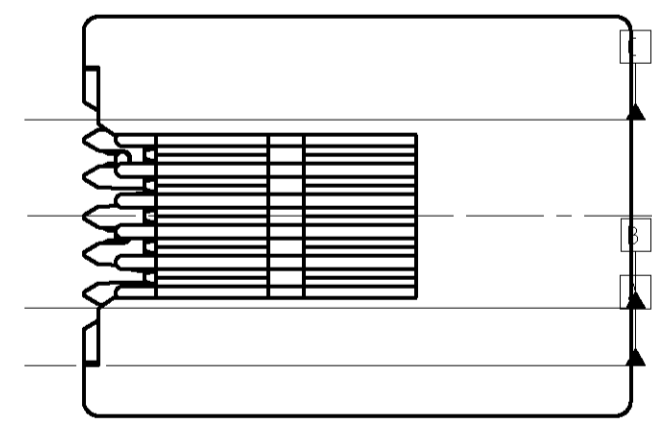
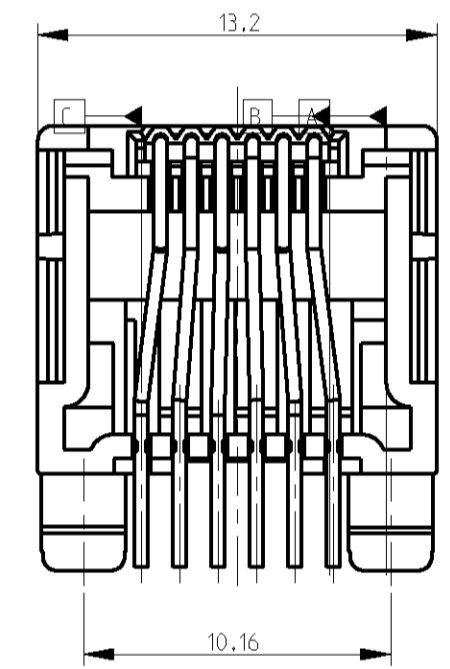
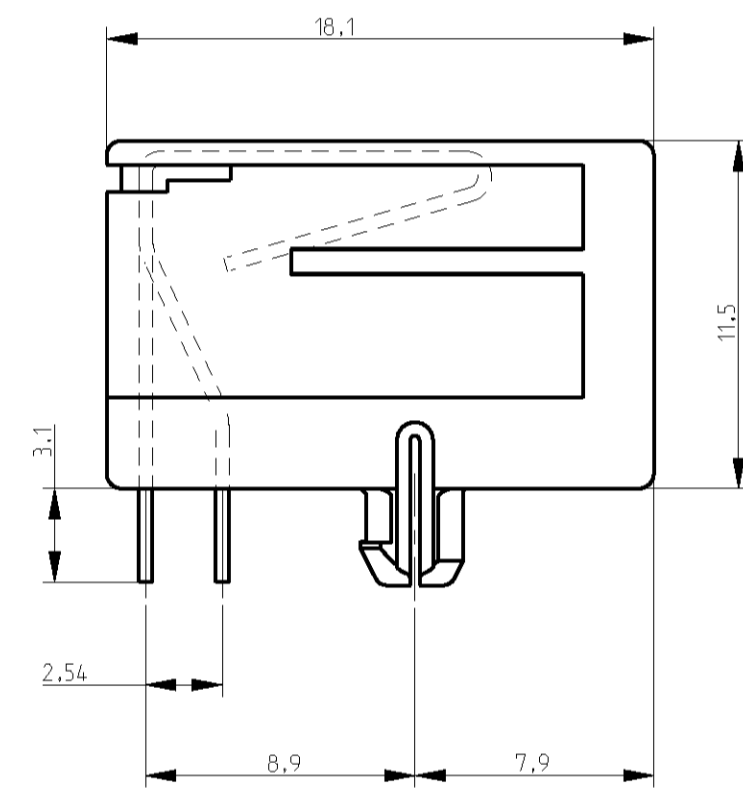
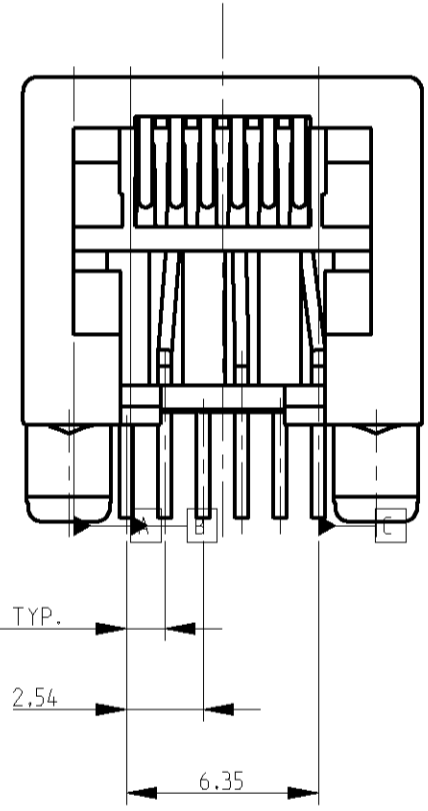
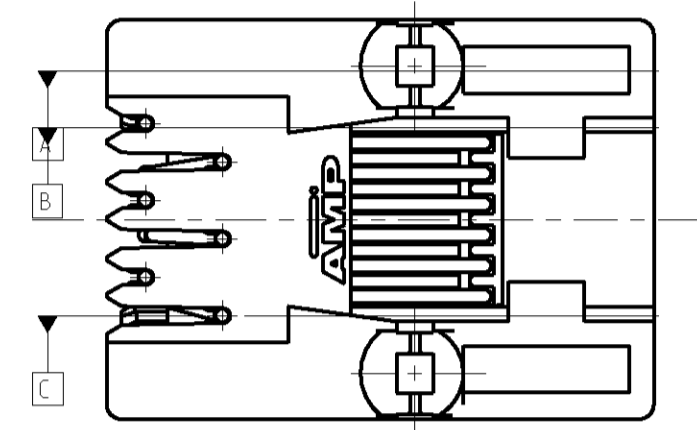


THIS DRAWING IS UNPUBLISHED. RELEASED FOR PUBLICATION 2000
 © COPYRIGHT BY ALL RIGHTS RESERVED.

LOC	DIST	REVISIONS			
P	LTR	DESCRIPTION	DATE	DWN	APVD
C1		REVISED PER ECO-11-005294	28APR11	RK	HMR

- 1 SEE SHEET 2 FOR MODULAR JACK 6 POS./4 CONTACTS
- 2 FOR APPLICATION INFORMATION SEE AMP SPEC. 114-19019.
- 3 TOLERANCES UNLESS OTHERWISE SPECIFIED: ± 0.15mm.



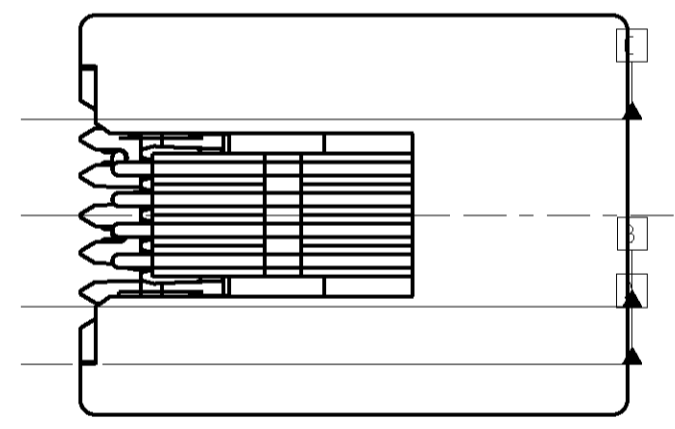
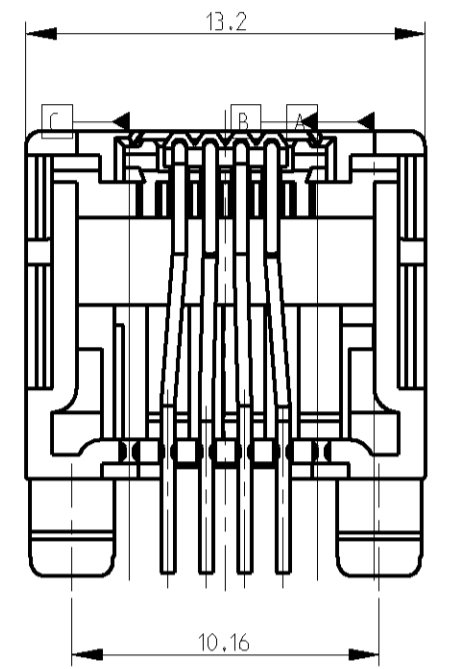
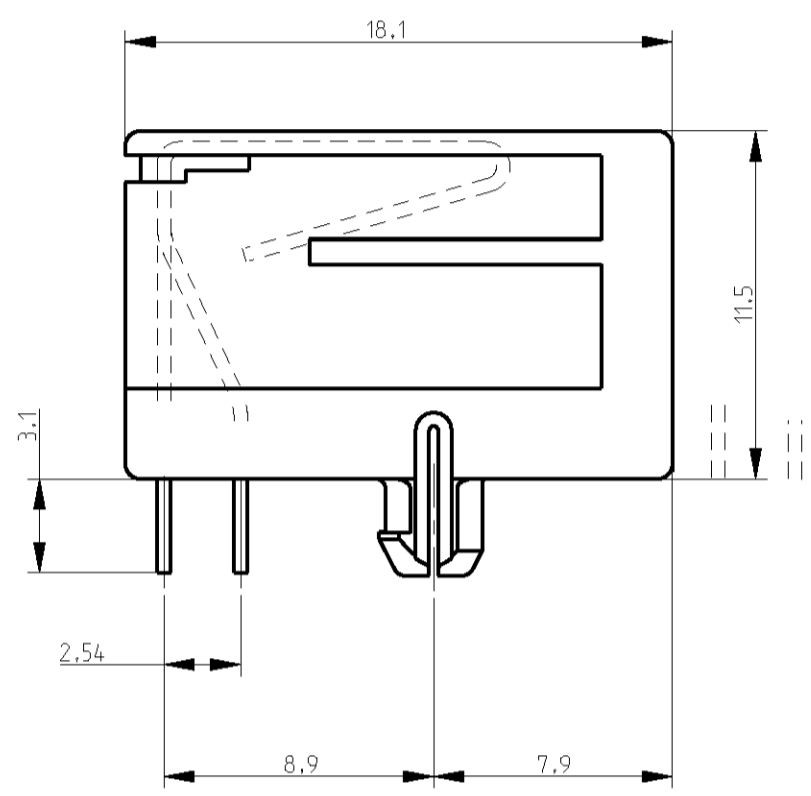
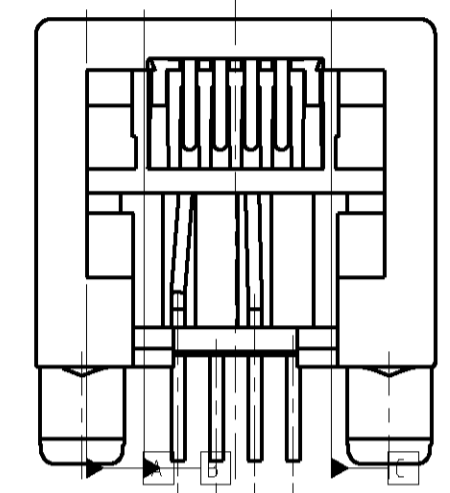
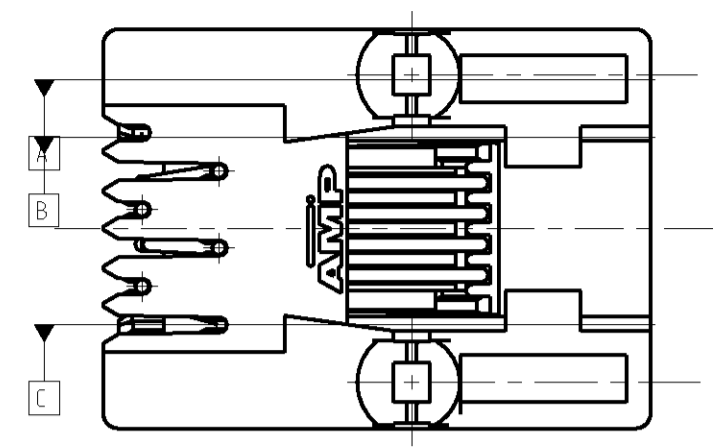
PRINTED CIRCUIT BOARD LAYOUT (6 POS./6 CONTACTS)
 (VIEW SHOWN IS CIRCUIT (NONCOMPONENT) SIDE OF BOARD)
 PRINTED CIRCUIT BOARD THICKNESS: 1.6 mm NOMINAL.
 TOLERANCES UNLESS OTHERWISE SPECIFIED: ± 0.05

240 PIECES IN A TRAY	6 POS./6 CONTACTS.	IN CONTACT AREA: 0,15 µm MIN. SEL. GOLD OVER 1,2 µm MIN. NICKEL.	HOUSING COLOR BLACK PBT, UL 94 V-0	1-1705950-1
TAPE MOUNTED 800 PCS/REEL		SOLDER TINES: 2,5 µm MIN. TIN OVER 1,2 µm MIN. NICKEL.	CONTACT INSERT: PBT,UL 94 V-0	1705950-1
PACKAGING	REMARKS	FINISH	MATERIAL	P/N

DIMENSIONS: mm 	TOLERANCES UNLESS OTHERWISE SPECIFIED: 0 PLC ± 1 PLC ±0.1 2 PLC ±0.01 3 PLC ±0.001 4 PLC ±0.0001 ANGLES ± FINISH -	DWN J.V.D.HEIJDEN 14FEB05	TE Connectivity NAME MODULAR JACK, SIDE ENTRY, 6/6 FOR PRINTED CIRCUIT BOARD
		CHK P.WILLEMS 14FEB05	
MATERIAL -	PRODUCT SPEC -	APPLIC. SPEC 114-19019	SIZE A2
	WEIGHT -	CUSTOMER DRAWING	SCALE 4:1 SHEET 1 OF 2 REV C1

THIS DRAWING IS UNPUBLISHED. RELEASED FOR PUBLICATION 2000
 © COPYRIGHT BY ALL RIGHTS RESERVED.

LOC	DIST	REVISIONS			
P	LTR	DESCRIPTION	DATE	DWN	APVD
GW	-	SEE SHEET 1	-	-	-

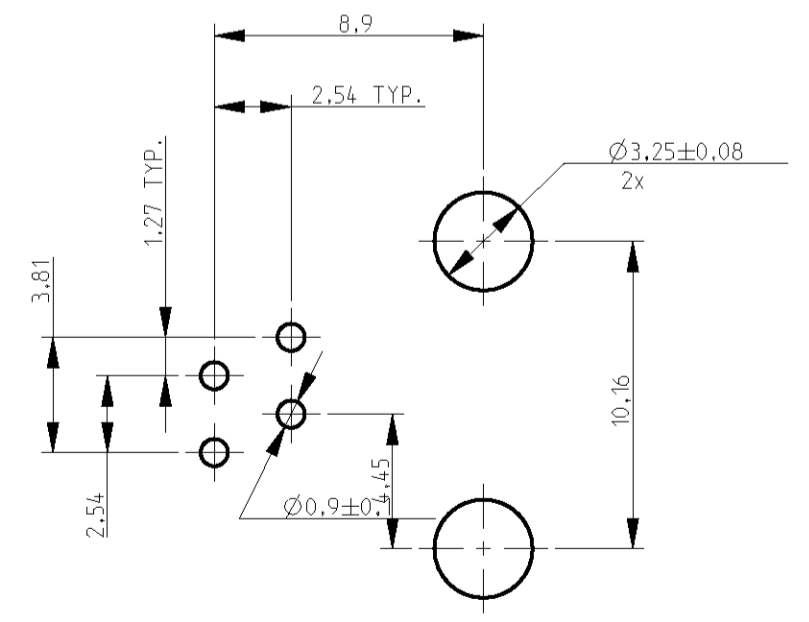


△ 4

- 1 SEE SHEET 1 FOR MODULAR JACK 6 POS./6 CONTACTS.
- 2 FOR APPLICATION INFORMATION SEE AMP SPEC. 114-19019.
- 3 TOLERANCES UNLESS OTHERWISE SPECIFIED: ±0.15.
- △ 4 OBSOLETE

3.81
2.54
1.27 TYP.

PACKAGING	REMARKS	FINISH	MATERIAL	P/N
TAPE MOUNTED 800 PCS/REEL	6POS/ 4 CONTACTS	IN CONTACT AREA: 0.15 µm MIN. SEL. GOLD OVER 1.2 µm MIN. NICKEL SOLDER TINES: 2.5 µm MIN. TIN OVER 1.2 µm MIN. NICKEL	HOUSING COLOR YELLOW: PBT, UL 94 V-0 CONTACT INSERT: PBT, UL 94 V-0 CONTACTS: Ph-BRONZE	1-1705950-3
240 PIECES IN A TRAY			HOUSING COLOR BLACK: PBT, UL 94 V-0 CONTACT INSERT: PBT, UL 94 V-0 CONTACTS: Ph-BRONZE	1-1705950-2 1705950-2
TAPE MOUNTED 800 PCS/REEL			HOUSING COLOR GREY: PBT, UL 94 V-0 CONTACT INSERT: PBT, UL 94 V-0 CONTACTS: Ph-BRONZE	1705950-5
TAPE MOUNTED 800 PCS/REEL			HOUSING COLOR GREEN: PBT, UL 94 V-0 CONTACT INSERT: PBT, UL 94 V-0 CONTACTS: Ph-BRONZE	1705950-4



PRINTED CIRCUIT BOARD LAYOUT (6 POS./4 CONTACT)

VIEW SHOWN IS CIRCUIT (NONCOMPONENT) SIDE OF BOARD
 PRINTED CIRCUIT BOARD THICKNESS: 1.6 mm NOMINAL.
 TOLERANCES UNLESS OTHERWISE SPECIFIED: ± 0.05.

DIMENSIONS: mm 		TOLERANCES UNLESS OTHERWISE SPECIFIED: 0 PLC ± 1 PLC ±0.1 2 PLC ±0.01 3 PLC ±0.001 4 PLC ±0.0001 ANGLES ± FINISH -		DWN J.V.D.HEIJDEN 14FEB05 CHK P.WILLEMS 14FEB05 APVD J.BROEKSTEGG 14FEB05 PRODUCT SPEC - APPLICATION SPEC 114-19019 WEIGHT - CUSTOMER DRAWING		STE TE Connectivity NAME MODULAR JACK, SIDE ENTRY, 6/6 FOR PRINTED CIRCUIT BOARD SIZE A2 CAGE CODE C-1705950 DRAWING NO. RESTRICTED TO - SCALE 4:1 SHEET 2 OF 2 REV C1	
-----------------------	--	---	--	---	--	--	--