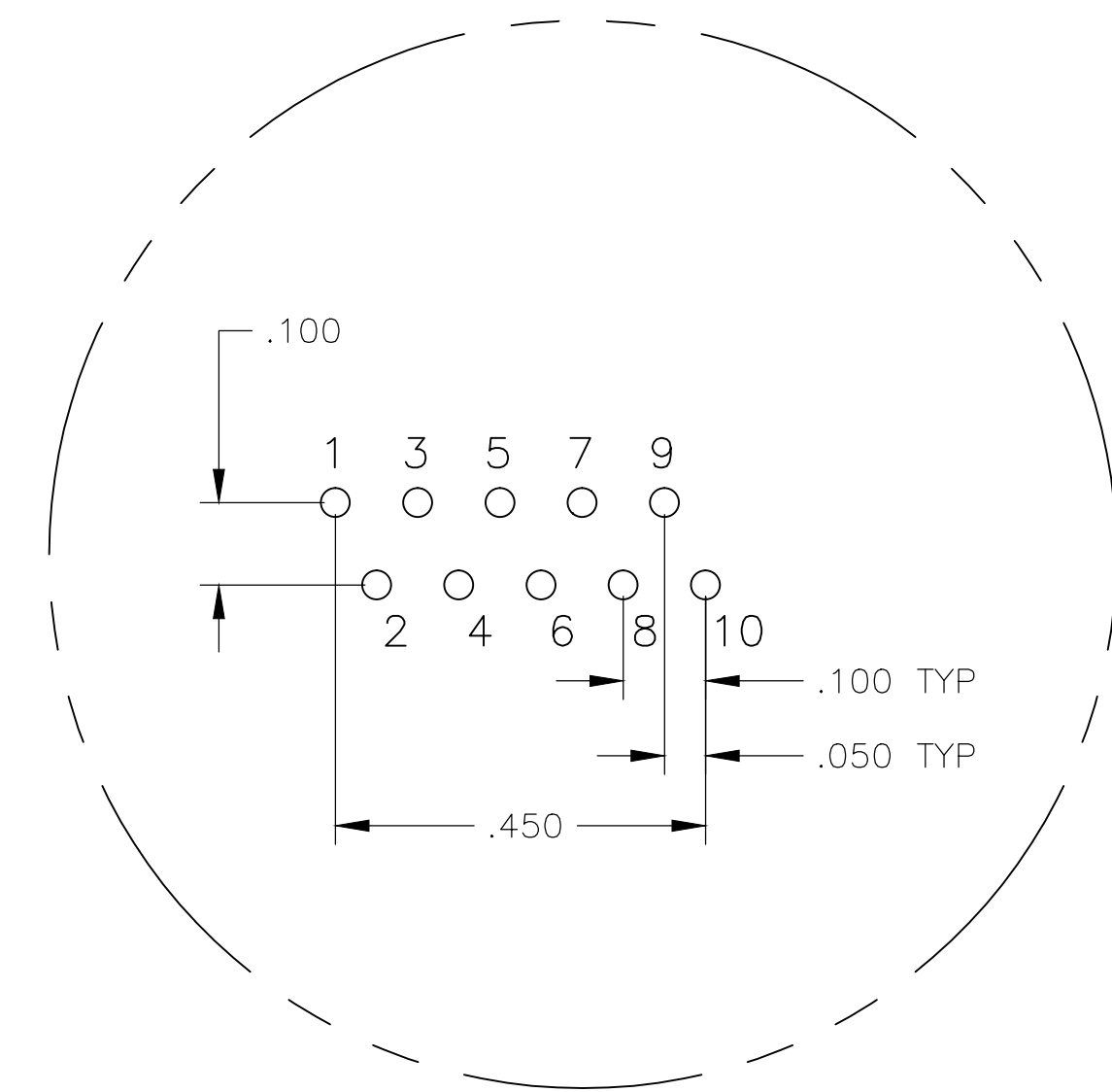
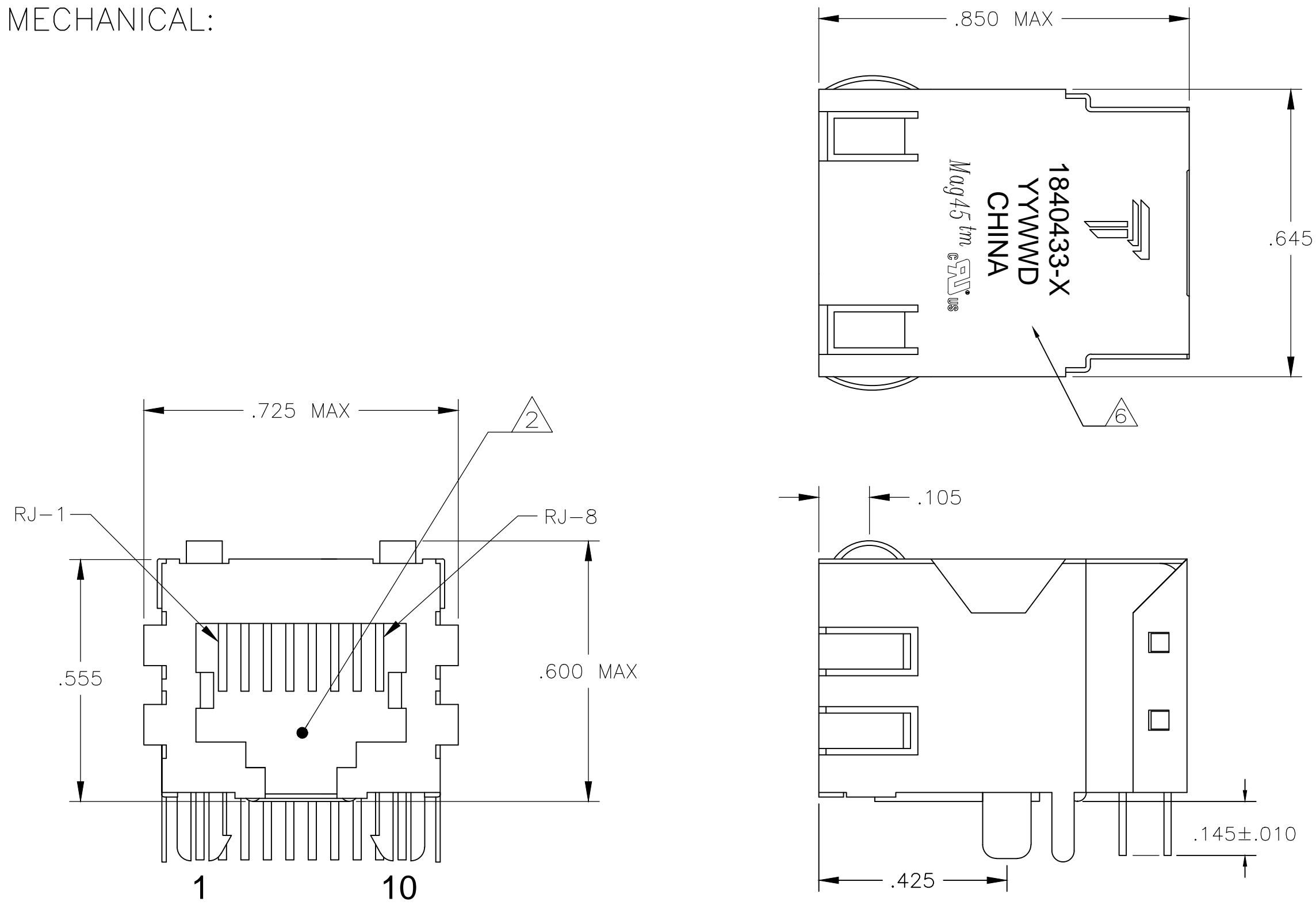


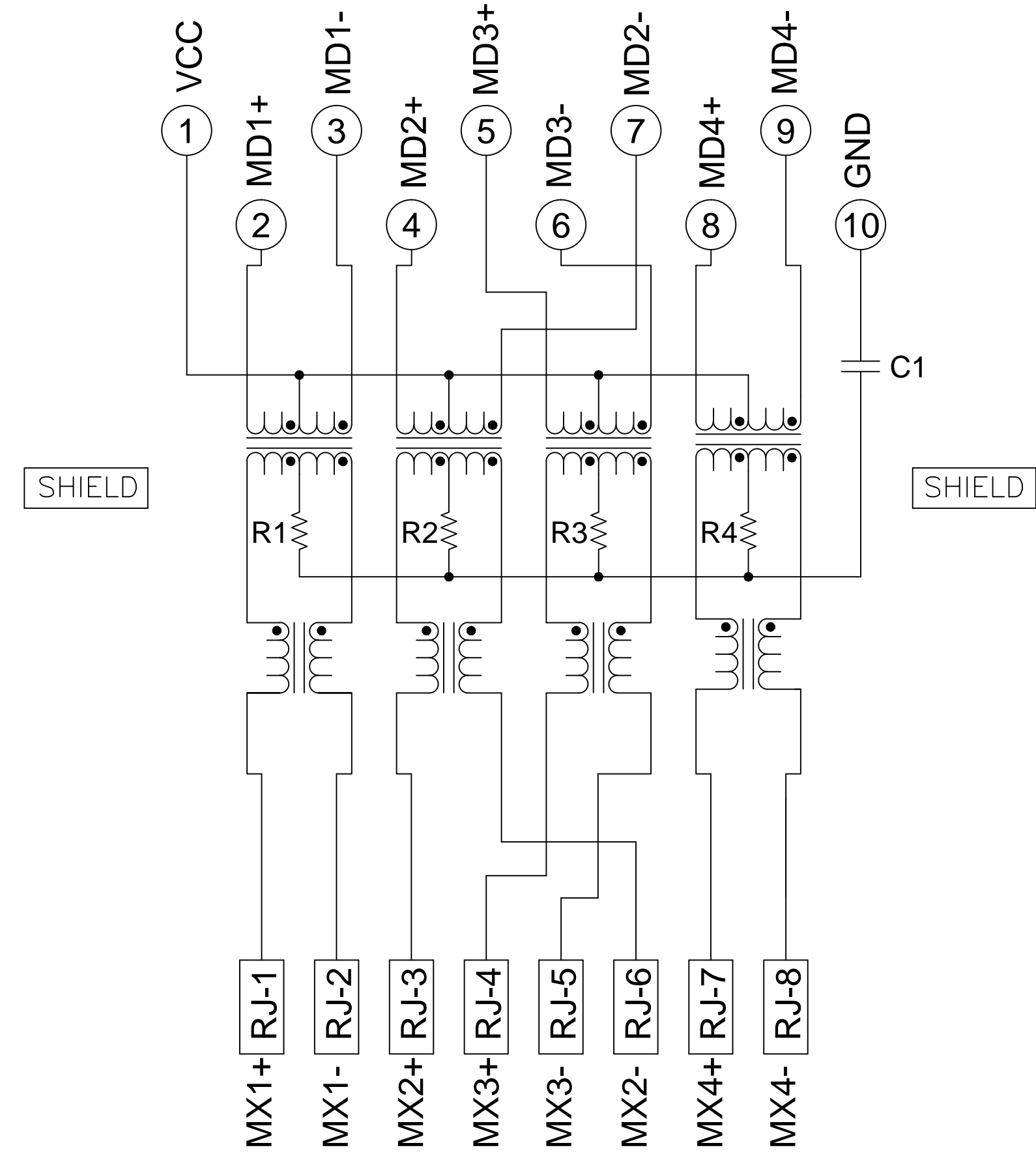
REVISIONS				
P	LTR	DESCRIPTION	DATE	APP'D
C		LOGO CHANGE	07APR2013	PP KZ

MECHANICAL:

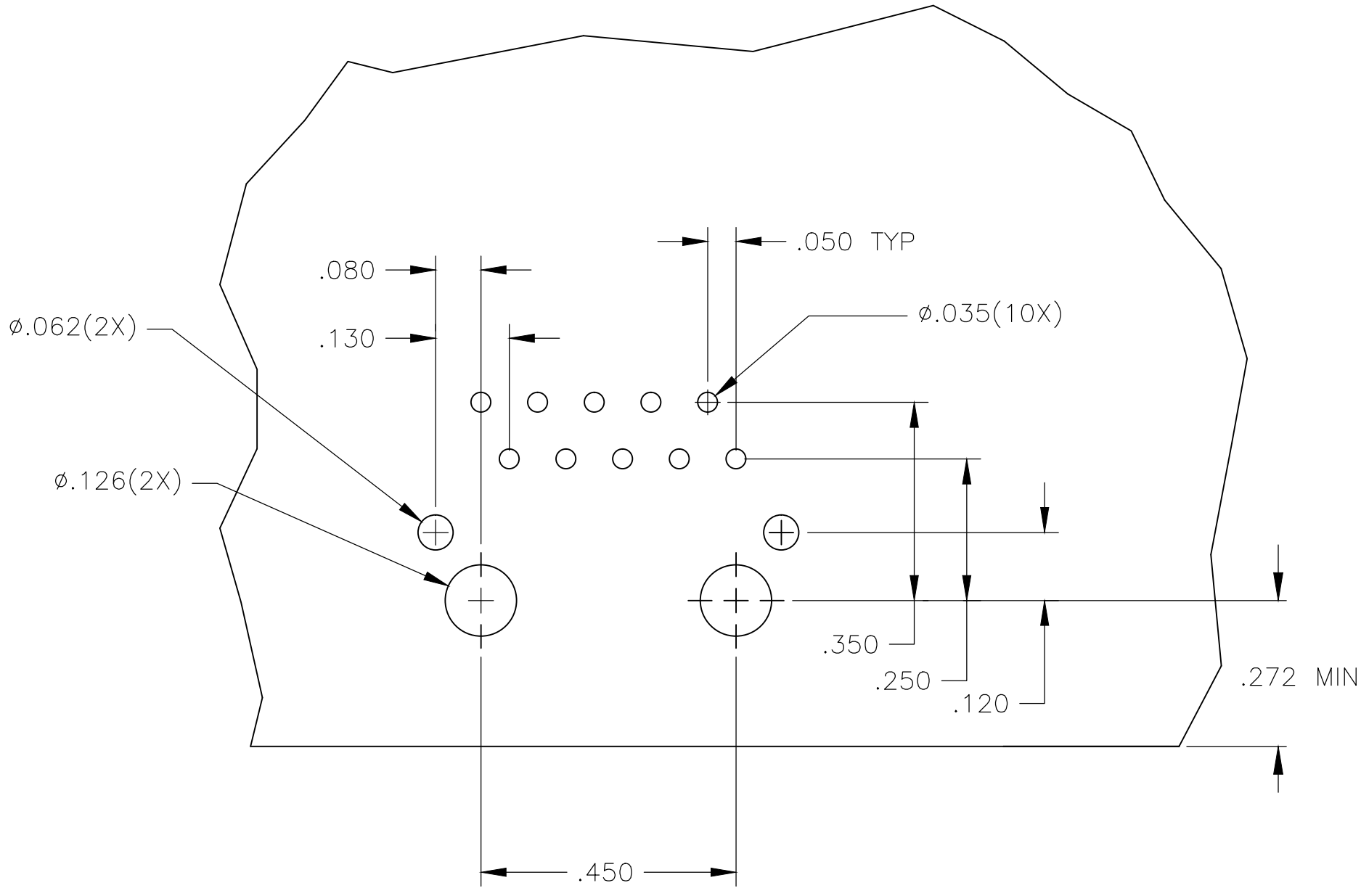


Pin Designations

4G01ET GIGABIT CIRCUIT

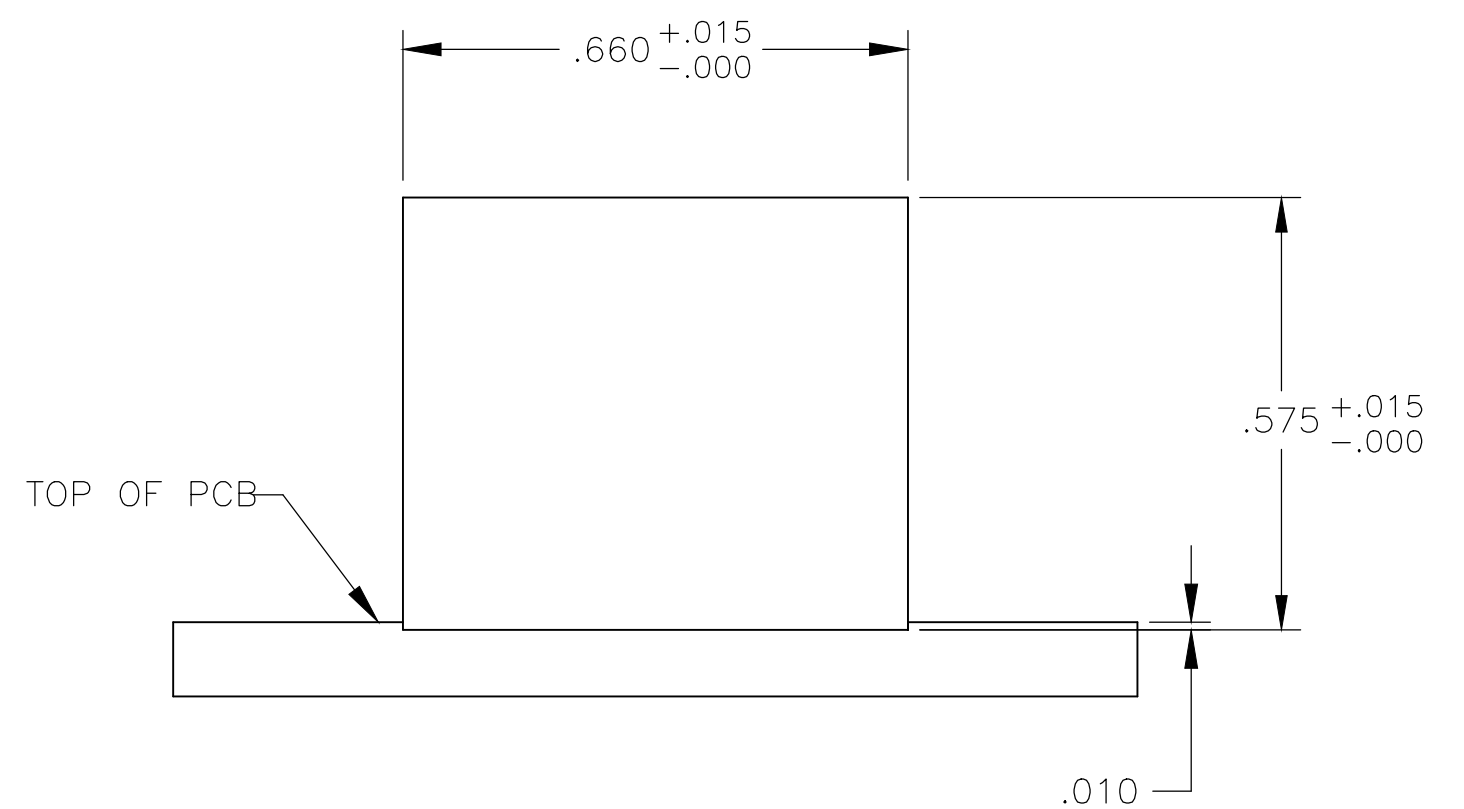


R1-R4=75 OHMS, 1/16W RESISTORS
 C1=1000 pF, 2kV CAPACITOR



Suggested PCB Layout (Component Side)

- 1 MATERIALS:
 HOUSING - THERMOPLASTIC PET POLYESTER FLAMMABILITY RATING UL 94V-0.
 SHIELD - .010" THICK, C26800 BRASS PREPLATED WITH 30μINCH SEMI-BRIGHT NICKEL. SOLDER TABS POST DIPPED WITH 100μINCH MIN SAC SOLDER.
 MOD JACK CONTACTS - 0.0157 X 0.018" PHOSPHOR BRONZE, 50μINCH MIN OVERALL NICKEL UNDERPLATE, WITH SELECT 50μINCH MIN HARD GOLD FINISH PLATE SOLDER TAILS WITH 100μINCH MIN MATTE TIN AND/OR SAC SOLDER DIP.
- 2 RJ45 JACK CAVITY CONFORMS TO FCC RULES AND REGULATIONS PART 68, SUB PART F.
- 3 MAGNETICS
 -APPLICATION: 10/100/1000 BASE-T, EXTENDED TEMPERATURE
 -IMPEDANCE: 100 OHMS
 -TURNS RATIO (CHIP:CABLE): 1:1 ALL FOUR PAIRS
 -OPEN CIRCUIT INDUCTANCE (OCL): 350μH MIN @100kHz, 0.1VRMS, 8mADC BIAS FROM -40°C TO +85°C, ALL FOUR PAIRS
 -ALL FOUR PAIRS BI-DIRECTIONAL
 -PERFORMANCE @ 25°C:
 INSERTION LOSS (IL): 1.1dB MAX FROM 0.5MHz TO 100MHz
 RETURN LOSS (RL): 18dB MIN FROM 0.5MHz TO 40MHz
 12-20LOG(f/80)dB MIN FROM 40.1MHz TO 100MHz
 CROSSTALK ATTENUATION: 35dB MIN FROM 0.5MHz TO 40MHz
 33-20LOG(f/50)dB MIN FROM 40.1MHz TO 100MHz
 COMMON MODE REJECTION RATIO (CMRR): 30dB MIN FROM 0.5MHz TO 100MHz
 -ISOLATION VOLTAGE: COMPLIES WITH IEEE802.3 2002, PARA 40.6.1.1, ITEM b.
- 4. OPERATING TEMPERATURE: FROM -40°C TO +85°C.
- 5 THE MAGNETICS ARE SYMMETRIC TO SUPPORT AUTO-MDI/MDIX.
- 6 TRP CONNECTOR LOGO, PART NUMBER, DATE CODE, COUNTRY OF ORIGIN AND AGENCY APPROVAL MARKING IN APPROXIMATE LOCATION SHOWN.
- 7. THE PART IS RECOMMENDED FOR WAVE SOLDERING PROCESS, PREHEAT TEMPERATURE IS 120°C TO 160°C, 120 SECONDS TO 180 SECONDS, PEAK WAVE SOLDERING TEMPERATURE IS 260°C MAX, 10 SECONDS MAX.



Suggested Panel Cutout

1840433-1
 PART NUMBER

THIS DRAWING IS A CONTROLLED DOCUMENT.		DW1: CLOUD ZENG 10APR2007	TRP connector Dongguan China
DIMENSIONS: INCHES		CHK: DENNIS CHEN 10APR2007	
TOLERANCES UNLESS OTHERWISE SPECIFIED:		APP'D: TEDDY XIONG 10APR2007	PRODUCT SPEC: 108-2100 APPLICATION SPEC: 108-2100 NAME: 1X1 MAG45(TM), MODULAR JACK, 4G01ET GIGABIT CIRCUIT, SHIELDED, NO LEDS
0 PLC ± - 1 PLC ± .010 2 PLC ± .010 3 PLC ± .005 4 PLC ± - ANGLES ± - FINISH ± -		SIZE: A1 CAGE CODE: 00779 DRAWING NO: 1840433	RESTRICTED TO: -
MATERIAL: 1		WEIGHT: -	CUSTOMER DRAWING
		SCALE: NTS	SHEET 1 OF 1 REV C