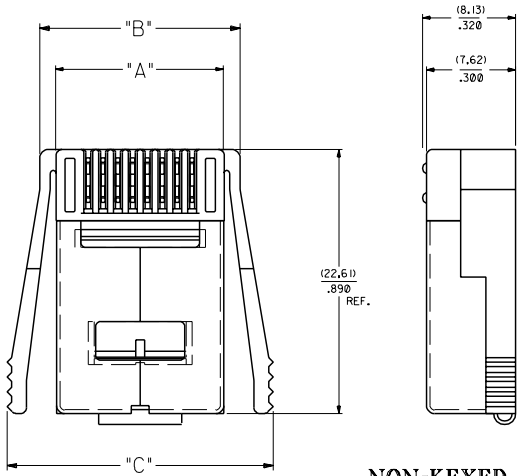
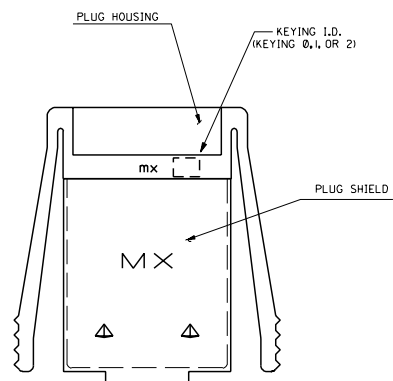


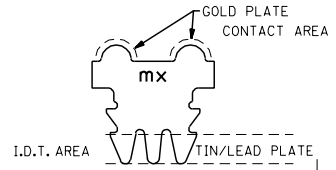
NON-KEYED VERSION A-71350-00**		KEYING OPTION "1" A-71350-10**		KEYING OPTION "2" A-71350-20**		CKT. SIZE	DIM. "A"		DIM. "B"		DIM. "C"	
E.D.P. NUMBER	ENG. NUMBER	E.D.P. NUMBER	ENG. NUMBER	E.D.P. NUMBER	ENG. NUMBER		MM	IN.	MM	IN.	MM	IN.
015-83-0604	A-71350-0004	015-83-0634	A-71350-1004	015-83-0654	A-71350-2004	04	9,30	.366	12,06	.475	17,22	.678
015-83-0606	A-71350-0006	015-83-0636	A-71350-1006	015-83-0656	A-71350-2006	06	11,84	.466	14,60	.575	19,76	.778
015-83-0608	A-71350-0008	015-83-0638	A-71350-1008	015-83-0658	A-71350-2008	08	14,38	.566	17,14	.675	22,30	.878
015-83-0616	A-71350-0016	015-83-0646	A-71350-1016	015-83-0666	A-71350-2016	16	24,54	.966	27,31	1.075	32,46	1,278



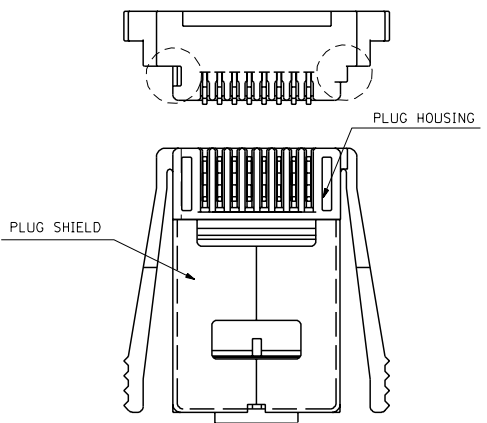
NON-KEYED VERSION



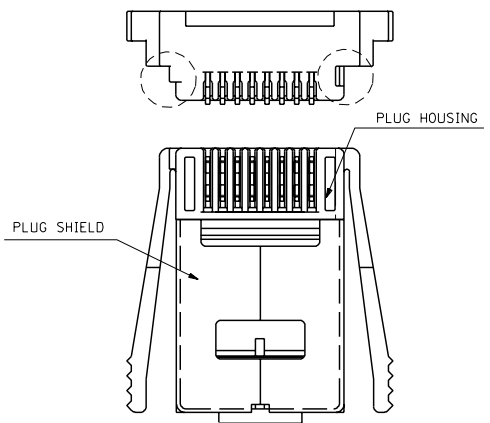
- NOTES:
- FOR ILLUSTRATION PURPOSES 8 CIRCUIT SHOWN.
 - REFER TO PK-70873-0054 FOR STANDARD PACKAGING.
 - MUST CONFORM TO PS-71350-A & AS-71350.
 - MATERIAL:
PLUG HOUSING: POLYCARBONATE ALLOY; COLOR: CLEAR
PLUG SHIELD: BRASS WITH 100 MICRO-INCH TIN PLATE OVER 50 MICRO-INCH NICKEL (MOLEX ES-88 CODE 154)
CONTACTS: PHOSPHOR BRONZE, 50 MICRO-INCH GOLD SELECTIVE PLATE IN THE CONTACT AREA, 50 MICRO-INCH TIN/LEAD SELECTIVE PLATE IN THE IDT AREA, BOTH OVER 50 MICRO-INCH NICKEL UNDERPLATE. (MOLEX ES-88 CODE 575).



SIDE VIEW OF CONTACT
SEE MATERIAL NOTE ABOVE



KEYING OPTION "1"



KEYING OPTION "2"

MFG. SHL. REV. LTR. REVISIONS	
FI	UPDATED NOTE 3 PER JD2002-0476 03/25/01 IGARIC1
F	REVISED ISCKT DIM. ECR #J10523 02/22/91 MURPHY
E	REVISED NOTES PER ECR #UB1804 8/17/88 BIXLER
D	REVISED DIM. "C" PER ECR # 10506 10/26/87 CB7/L
C	REVISED PER DETAILS PER ECR #0145 5/29/87 CAB
B	REVISED PER ECR # 2074 07/10/86 J. LONG
A	ADDED EDP NO.S PER ECR # 22308 06/06/85 J. LONG
I	X-RELEASE PER ECR # 21435 11/26/85 J. LONG

REVISIONS

REVISIONS ONLY ON CAD SYSTEM

DIMENSIONS SHOWN (METRIC) INCH UNLESS OTHERWISE SPECIFIED TOLERANCES ANGULAR 1/2°

PLACE	INCH	METRIC
1 PLACE	---	---
2 PLACE	---	---
3 PLACE	---	---

DRAFT WHERE APPLICABLE MUST REMAIN WITHIN DIMENSIONS

MOLEX INCORPORATED U.S.A. SHEET NO. 1 OF 1 DATE 11/23/85

FILE NAME S71350V01.DWG

SCALE 4 : 1

SEE CHART SDA-71350-****

NO DRAWING CONTAINS INFORMATION THAT IS PROPRIETARY TO MOLEX INC. AND SHOULD NOT BE USED WITHOUT WRITTEN PERMISSION. TC

71350