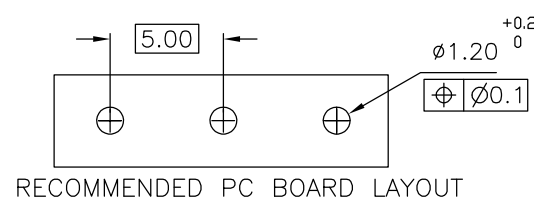
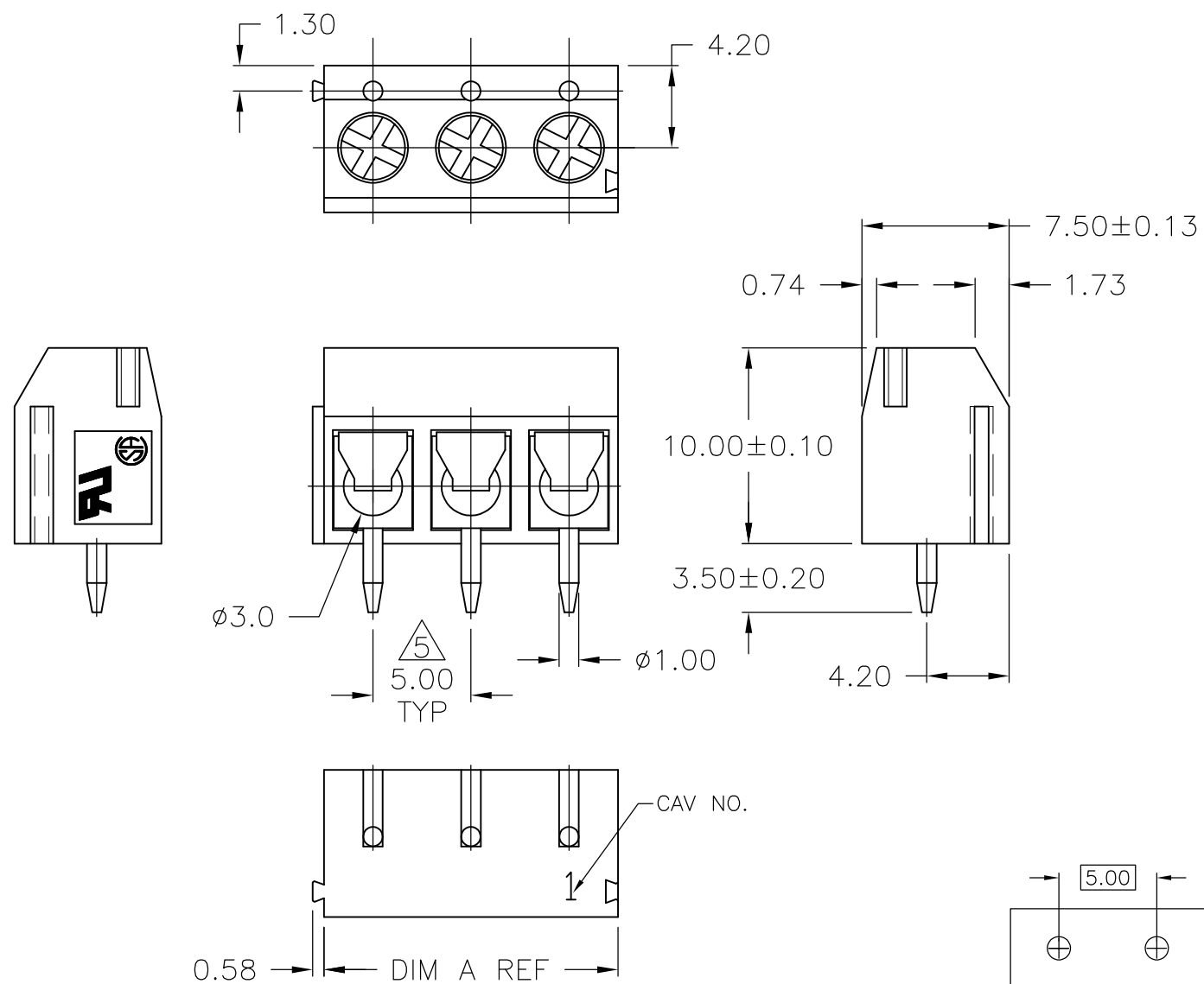


THIS DRAWING IS UNPUBLISHED. RELEASED FOR PUBLICATION  
 © COPYRIGHT - By - ALL RIGHTS RESERVED.

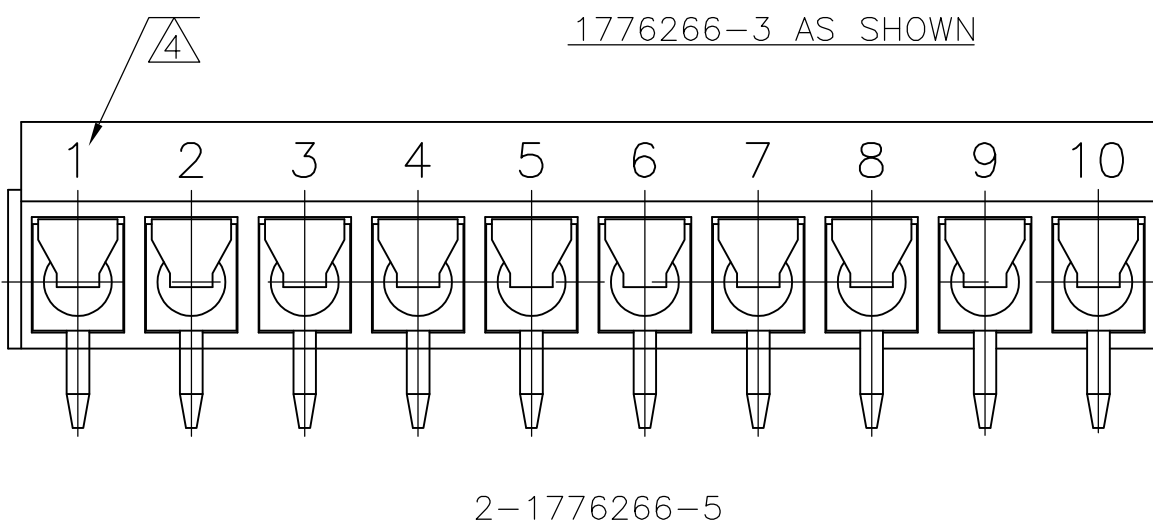
REVISIONS					
P	LTR	DESCRIPTION	DATE	DWN	APVD
	A	PCB LAYOUT ADDED HIGH TEMP PHRASE REMOVED	09AUG16	FP	NG

1. ALL DIMENSIONS ARE IN MM.
2. RECOMMENDED PC-BOARD-HOLES DIAMETER:  $\phi 1.20\text{MM}$  TO  $\phi 1.40\text{MM}$ .
3. BUCHANAN LOGO TO APPEAR ON HOUSING LOCATION OPTIONAL WHERE SPACE PERMITS.



- △ 4 WHITE INK MARK.
- △ 5 NON CUMULATIVE.
- △ 6 OBSOLETE

△ 6	50.00	10	2-1776266-5
△ 6	120.00	24	2-1776266-4
△ 6	115.00	23	2-1776266-3
△ 6	110.00	22	2-1776266-2
△ 6	105.00	21	2-1776266-1
△ 6	100.00	20	2-1776266-0
△ 6	95.00	19	1-1776266-9
△ 6	90.00	18	1-1776266-8
△ 6	85.00	17	1-1776266-7
△ 6	80.00	16	1-1776266-6
△ 6	75.00	15	1-1776266-5
△ 6	70.00	14	1-1776266-4
△ 6	65.00	13	1-1776266-3
△ 6	60.00	12	1-1776266-2
△ 6	55.00	11	1-1776266-1
△ 6	50.00	10	1-1776266-0
△ 6	45.00	9	1776266-9
△ 6	40.00	8	1776266-8
△ 6	35.00	7	1776266-7
△ 6	30.00	6	1776266-6
△ 6	25.00	5	1776266-5
△ 6	20.00	4	1776266-4
△ 6	15.00	3	1776266-3
△ 6	10.00	2	1776266-2
	DIM. A	NO. OF POS.	PART NUMBER



THIS DRAWING IS A CONTROLLED DOCUMENT.		DWN S SCHLEGEL 5/6/05	TE Connectivity		
DIMENSIONS: mm		CHK C RICHARD 5/6/05			
TOLERANCES UNLESS OTHERWISE SPECIFIED:		APVD C RICHARD 5/6/05	NAME		
0 PLC ± -		PRODUCT SPEC	TERMINAL BLOCK PCB MOUNT, STRAIGHT		
1 PLC ± 0.3		APPLICATION SPEC	SIDE WIRE ENTRY, LOW PROFILE w/3.5mm pins		
2 PLC ± 0.25		WEIGHT 0	SIZE A3	CAGE CODE 00779	DRAWING NO C-1776266
3 PLC ± -		CUSTOMER DRAWING	RESTRICTED TO -		
4 PLC ± -		SCALE NTS	SHEET 1 OF 2		
ANGLES ± -		REV A			
FINISH -					

THIS DRAWING IS UNPUBLISHED.

RELEASED FOR PUBLICATION

-.-.

REVISIONS

© COPYRIGHT - By -

ALL RIGHTS RESERVED.

P	LTR	DESCRIPTION	DATE	DWN	APVD
	-	SEE SHEET 1	-	-	-

## 1. Application and Features:

- 1-1. Standard sizes are 2 and 3 way-blocks, but every number of contact can be combined, by simply plugging them together and can be ordered as required\*\*
- 1-2. With wire guard for wire protection (for that the screw doesn't press directly on the wire)

## 2-3. Mechanical:

- 2-3-1. Torque: 4 Kg.cm (Max).
- 2-3-2. Operating temperature: -55°C to +105°C.
- 2-3-3. Solderability: 95% coverage (min).

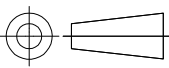
## 2. Technical Data:

## 2-1. Material:

- 2-1-1. HOUSING: PA 6.6, UL 94 V-0, (Green).
- 2-1-2. Metal Housing: Brass(Cu Zn)  
Cu,Tin plated.
- 2-1-3. Wire guard: Stainless steel.
- 2-1-4. Screw: Steel galvanized and chromated, M2.6

## 2-2. Electrical:

- 2-2-1. Current rating: 10 Amps/way max.
- 2-2-2. Contact resistance: 20mΩ (Max).
- 2-2-3. Insulation resistance: 5000MΩ /1000V.
- 2-2-4. Withstanding Voltage: 1500VAC (1min).
- 2-2-5. Operation Voltage: 300 VAC.
- 2-2-6. Wire Range: 14-22 AWG.

THIS DRAWING IS A CONTROLLED DOCUMENT.		DWN S SCHLEGEL	5/6/05	<b>STE</b> TE Connectivity	
		CHK C RICHARD	5/6/05		
		APVD C RICHARD	5/6/05	NAME	
DIMENSIONS: mm		TOLERANCES UNLESS OTHERWISE SPECIFIED:		TERMINAL BLOCK PCB MOUNT, STRAIGHT SIDE WIRE ENTRY, LOW PROFILE w/3.5mm pins W/INTERLOCK, 5.00mm PITCH	
		0 PLC	± -	PRODUCT SPEC	
		1 PLC	± 0.3	-	
MATERIAL		2 PLC	± 0.25	APPLICATION SPEC	
		3 PLC	± -	-	
		4 PLC	± -	SIZE	
		ANGLES	± -	CAGE CODE	DRAWING NO
		FINISH	-	RESTRICTED TO	
				SCALE	SHEET
				NTS	2 OF 2
				REV	A
				CUSTOMER DRAWING	
				A3 00779 C-1776266	

# Mouser Electronics

Authorized Distributor

Click to View Pricing, Inventory, Delivery & Lifecycle Information:

[TE Connectivity:](#)

[1-1776266-6](#)