

**OMNIMATE Power - series WGK
VWGK 4**

Weidmüller Interface GmbH & Co. KG
 Klingenbergstraße 16
 D-32758 Detmold
 Germany
 Fon: +49 5231 14-0
 Fax: +49 5231 14-292083
 www.weidmueller.com



The V versions of the WGK feed-through terminals with an insulated housing and clamping yoke connections on the external side, and a solder connection on the internal side for use in encapsulated devices (e.g. EMC filters).

General ordering data

Type	VWGK 4
Order No.	1936490000
Version	OMNIMATE Power - series WGK, Feedthrough terminal, Rated cross-section: 4 mm ² , Wemid (PA), Grey, Direct mounting, Feed-through (bushing)
GTIN (EAN)	4032248671236
Qty.	50 pc(s).
Product data	IEC: 500 V / 32 A / 0.5 - 6 mm ² UL: 300 V / 30 A / AWG 30 - AWG 10
Packaging	Box

Creation date February 5, 2014 6:45:51 AM CET

**OMNIMATE Power - series WGK
VWGK 4**

Weidmüller Interface GmbH & Co. KG
Klingenbergstraße 16
D-32758 Detmold
Germany
Fon: +49 5231 14-0
Fax: +49 5231 14-292083
www.weidmueller.com

Technical data
Dimensions and weights

Length	11.4 mm	Width	10 mm
Height	20.5 mm	Height of lowest version	20.5 mm
Net weight	4.02 g		

System characteristics

Product family	OMNIMATE Power - series WGK	Wire connection method	Screw / solder connection
Conductor outlet direction	180°	Fitted by customer	No
Screwdriver blade	0.6 x 3.5	Tightening torque, min.	0.6 Nm
Tightening torque, max.	0.8 Nm	Clamping screw	M 3
Stripping length	8 mm		

Material data

Insulating material	Wemid (PA)	Colour	Grey
UL 94 flammability rating	V-0	Contact material	E-Cu
Contact surface	tinned		


Connectable conductors

Clamping range, rated connection, min.	0.5 mm ²	Clamping range, rated connection, max.	6 mm ²
Wire connection cross section AWG, min.	AWG 30	Wire connection cross section AWG, max.	AWG 10
Solid, min. H05(07) V-U	0.5 mm ²	Solid, max. H05(07) V-U	6 mm ²
Flexible, min. H05(07) V-K	0.5 mm ²	Flexible, max. H05(07) V-K	4 mm ²
w. wire end ferrule, DIN 46228 pt 1, min.	0.5 mm ²	w. wire end ferrule, DIN 46228 pt 1, max.	4 mm ²

DIN IEC rating data

Rated current, min. no. of poles (Tu=20°C)	32 A	Rated current, max. no. of poles (Tu=20°C)	32 A
Rated voltage for surge voltage class pollution degree III/3	500 V	Rated impulse voltage for surge voltage classcontamination degree III/3	6 kV

CSA rating data

Institute (CSA)		Rated voltage (Use group B)	300 V
Rated current (use group B)	30 A	Wire cross-section, AWG, min.	AWG 30
Wire cross-section, AWG, max.	AWG 10		

UL 1059 rating data

Rated voltage (use group B)	300 V	Rated current (use group B)	30 A
Wire cross-section, AWG, min.	AWG 30	Wire cross-section, AWG, max.	AWG 10

Classifications

ETIM 3.0	EC001283	UNSPSC	30-21-18-11
eClass 5.1	27-14-11-34	eClass 6.2	27-14-11-34
eClass 7.1	27-14-11-34		

Creation date February 5, 2014 6:45:51 AM CET

**OMNIMATE Power - series WGK
VWGK 4**

Weidmüller Interface GmbH & Co. KG
Klingenbergstraße 16
D-32758 Detmold
Germany
Fon: +49 5231 14-0
Fax: +49 5231 14-292083
www.weidmueller.com

Technical data**Notes**

Notes

- Clearance and creepage distances to other components must be devised in accordance with the relevant application standard. This can be achieved in the device by full encapsulation or by the use of additional spacer plates.
- Rated data refer only to the component itself. Clearance and creepage distances to other components are to be designed in accordance with the relevant application standards.
- Colours: BL = black; GN/YL = green yellow; none = grey
- Additional colours on request
- WGK: Rated voltage plastic walls: 1 - 4 mm = 500 V; metal walls: 1 - 2.5 mm = 400 V; metal walls: 2.5 - 4 mm = 250 V
- WGKV: Rated voltage plastic walls: 1 - 4 mm = 400 V; metal walls: 1 - 2.5 mm = 400 V; metal walls: 2.5 - 4 mm = 250 V
- VWGK: Rated voltage plastic walls: 1 - 4 mm = 500 V; metal walls: 1 - 4 mm = 500 V

Approvals

Approvals



ROHS

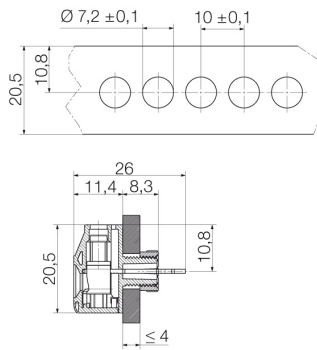
Conform

Data sheet

**OMNIMATE Power - series WGK
VWGK 4**

Weidmüller Interface GmbH & Co. KG
 Klingenbergstraße 16
 D-32758 Detmold
 Germany
 Fon: +49 5231 14-0
 Fax: +49 5231 14-292083
 www.weidmueller.com

Drawings



WGK 4 VP

