

VS-TO-RO-MCBK-F1411/1411

Order No.: 1404281

Terminal outlet 2 x RJ45




<http://eshop.phoenixcontact.de/phoenix/treeViewClick.do?UID=1404281>

Terminal outlet RJ45 IP65/67 Push-Pull, 2 slots version 14, with protective plugs, 2 cable entries

Ethernet




SERCOS
the automation bus

Commercial data	
GTIN (EAN)	 4 046356 305389
sales group	D551
Pack	1 pcs.
Customs tariff	85369085
Catalog page information	Page 328 (PC-2011)

Product notes

WEEE/RoHS-compliant since:
07/25/2007



<http://www.download.phoenixcontact.com>
 Please note that the data given here has been taken from the online catalog. For comprehensive information and data, please refer to the user documentation. The General Terms and Conditions of Use apply to Internet downloads.

Technical data	
Mechanical characteristics	
Number of slots	2
Color	black
Ambient temperature (operation)	-40 °C ... 70 °C

Material data

Housing material	Aluminum cast alloy, powder-coated
Degree of protection	IP65/67

Electrical characteristics

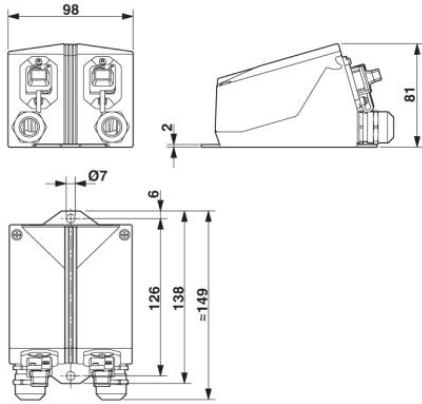
Transmission characteristics (category)	CAT6
---	------

Accessories

Item	Designation	Description
General		
1608100	VS-PPC-C1-RJ45-MNNA-PG9-4Q5	RJ45 connector, IP67, with push-pull interlocking, metal housing, CAT5e, 4-pos., with QUICKON fast connection technology, for 1-wire and 7-wire conductors AWG 26 ... 22, for cable cross section 5.0 mm ... 8.0 mm
1608113	VS-PPC-C1-RJ45-MNNA-PG9-8I6	RJ45 connector, IP67, with push/pull interlocking (version 14), metal housing, for 1 Gbps, for 24 ... 25 AWG stranded conductors
1608016	VS-PPC-C1-RJ45-MNNA-PG9-8Q5	RJ45 connector, IP67, with push/pull interlocking (version 14), metal housing, 1 Gbps, 8-pos., QUICKON fast connection technology, for 26 ... 24 AWG 1-wire and 7-wire conductors
1608126	VS-PPC-C1-RJ45-POBK-PG9-4Q5	RJ45 connector, IP67, with push-pull interlocking, plastic housing, CAT5e, 4-pos., with QUICKON fast connection technology, for 1-wire and 7-wire conductors AWG 26 ... 22, for cable cross section 5.0 mm ... 8.0 mm
1608139	VS-PPC-C1-RJ45-POBK-PG9-8I6	RJ45 connector, IP67, with push/pull interlocking (version 14), plastic housing, for 1 Gigabit, for 24 ... 25 AWG stranded conductors
1657834	VS-PPC-C1-RJ45-POBK-PG9-8Q5	RJ45 connector, IP67, with push/pull interlocking, plastic housing, 1 Gbps, 8-pos., QUICKON fast connection technology, for 26 ... 24 AWG 1-wire and 7-wire conductors
Tools		
1657407	VS-CABLE-STRIP-VARIO	Stripping tool, for the multi-level stripping of shielded cables

Diagrams/Drawings

Dimensioned drawing



Terminal outlet 2 x RJ45

Address

PHOENIX CONTACT Inc., USA
586 Fulling Mill Road
Middletown, PA 17057, USA
Phone (800) 888-7388
Fax (717) 944-1625
<http://www.phoenixcon.com>



© 2011 Phoenix Contact
Technical modifications reserved;