

MKDS 5 HV/ 7-ZB-6,35

This product has been replaced by a newer version.

Order No.: 1724611

The illustration shows the 5-position version of the product



<http://eshop.phoenixcontact.de/phoenix/treeViewClick.do?UID=1724611>

PC terminal block, Nominal current: 41 A, Nom. voltage: 1000 V,
Pitch: 6.35 mm, Number of positions: 7, Connection method: Screw
connection, Mounting: Soldering, Conductor/PCB connection direction:
0 °, Color: green

Commercial data

GTIN (EAN)	 4 046356 127585
Note	Made-to-order
sales group	E510
Pack	50 pcs.
Customs tariff	85369010
Catalog page information	Page 317 (CC-2009)

Product notes

WEEE/RoHS-compliant since:
02/21/2006



[http://
www.download.phoenixcontact.com](http://www.download.phoenixcontact.com)
Please note that the data given
here has been taken from the
online catalog. For comprehensive
information and data, please refer
to the user documentation. The
General Terms and Conditions of
Use apply to Internet downloads.

Certificates / Approvals

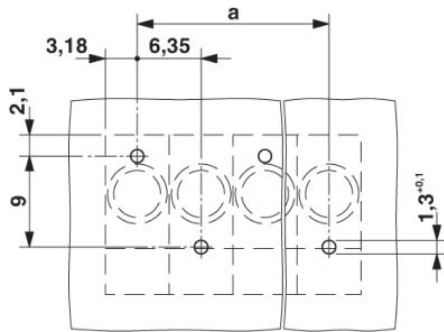


Certification

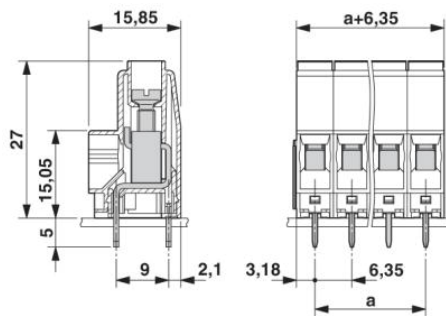
CUL, UL

Diagrams/Drawings

Drilling plan/solder pad geometry



Dimensioned drawing



Address

PHOENIX CONTACT Inc., USA
586 Fulling Mill Road
Middletown, PA 17057, USA
Phone (800) 888-7388
Fax (717) 944-1625
<http://www.phoenixcon.com>



© 2011 Phoenix Contact
Technical modifications reserved;