



4

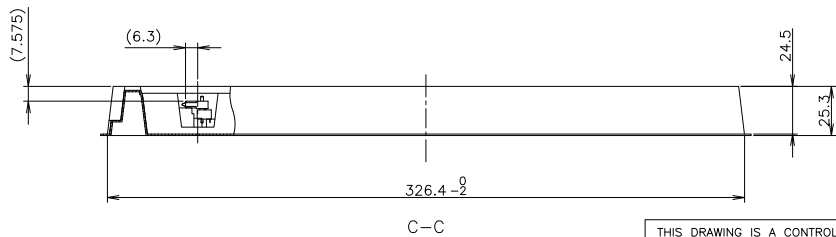
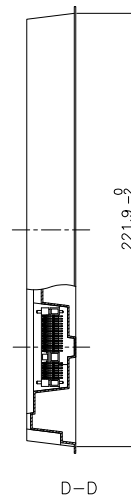
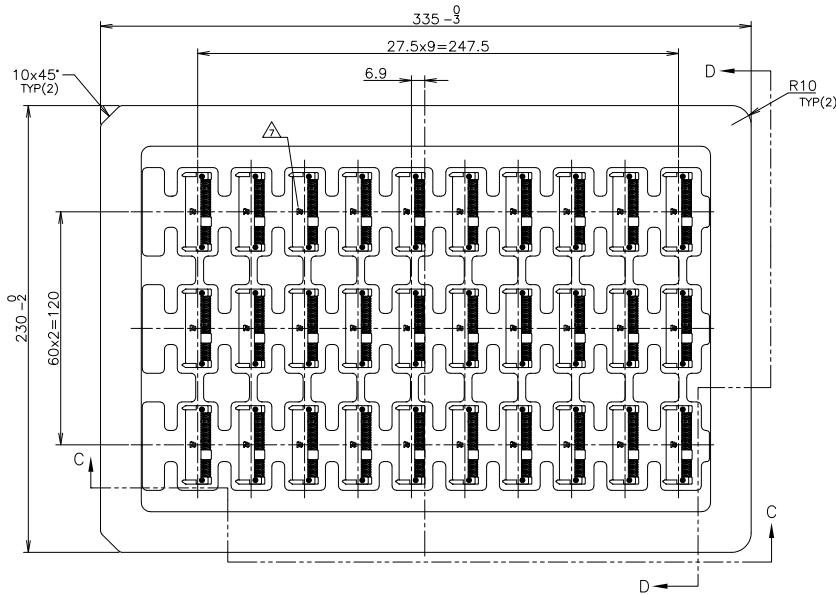
3

2

1

THIS DRAWING IS UNPUBLISHED. RELEASED FOR PUBLICATION APR. 2005.  
 ALL RIGHTS RESERVED.

LOC		DIST		REVISIONS			
				變更			
P	LTR	DESCRIPTION		DATE	DWN	APVD	
-	-	SEE SHEET 1		-	-	-	-



AS SHOWN: 1827335-1

THIS DRAWING IS A CONTROLLED DOCUMENT.		DWN	TE Connectivity REC ASSY A-FREE S-ATA H7.5					
DIMENSIONS: 單位: 毫米 TOLERANCES UNLESS OTHERWISE SPECIFIED: 除公差外 0. PLC ± 1. PLC ± 2. PLC ± 3. PLC ± 4. PLC ± ANGLES ±0.4 FINISH 仕上		CHK				NAME 名稱	SIZE	CAGE CODE
MATERIAL 材料		APVD	PRODUCT SPEC 製品規格	A3	00779	1827335	-	
		APPLICATION SPEC 取付適用規格	WEIGHT	CUSTOMER DRAWING		SCALE 尺度 1:2	SHEET 2 of 3	REV E

4

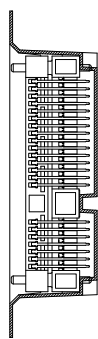
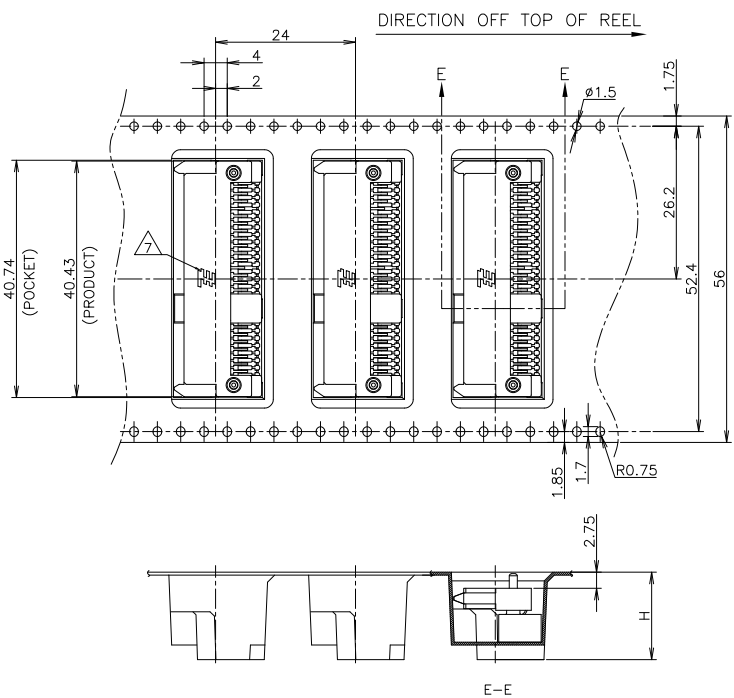
3

2

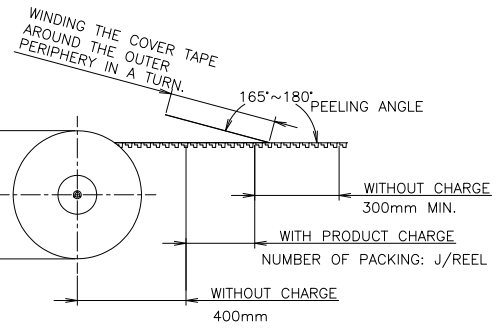
1

THIS DRAWING IS UNPUBLISHED. RELEASED FOR PUBLICATION APR. 2005.  
 © COPYRIGHT 2005 By - ALL RIGHTS RESERVED.

LOC	DIST	REVISIONS					
J		P	LTR	DESCRIPTION	DATE	DWN	APVD
		-		SEE SHEET 1	-	-	-



120 PCS	16.0	1827335-4
130 PCS	15.0	1827335-3
130 PCS	15.0	1827335-2
PACKING QTY: J	H	PART NO.



AS SHOWN: 1827335-2,-3,-4

THIS DRAWING IS A CONTROLLED DOCUMENT.		DWN	TE Connectivity	
DIMENSIONS: 單位: 毫米 mm		CHK		
TOLERANCES UNLESS OTHERWISE SPECIFIED: 公差 0. PLC ± 1. PLC ± 2. PLC ± 3. PLC ± 4. PLC ± ANGLES ± FINISH 仕上		APVD	NAME 名稱	
MATERIAL 材料		PRODUCT SPEC 製品規格	REC ASSY A-FREE S-ATA H7.5	
FINISH 仕上		APPLICATION SPEC 取付適用規格	SIZE A.3	CAGE CODE 00779
		WEIGHT	DRAWING NO. 1827335	RESTRICTED TO
		CUSTOMER DRAWING	SCALE 尺碼 NTS	SHEET 3 OF 3
				REV E