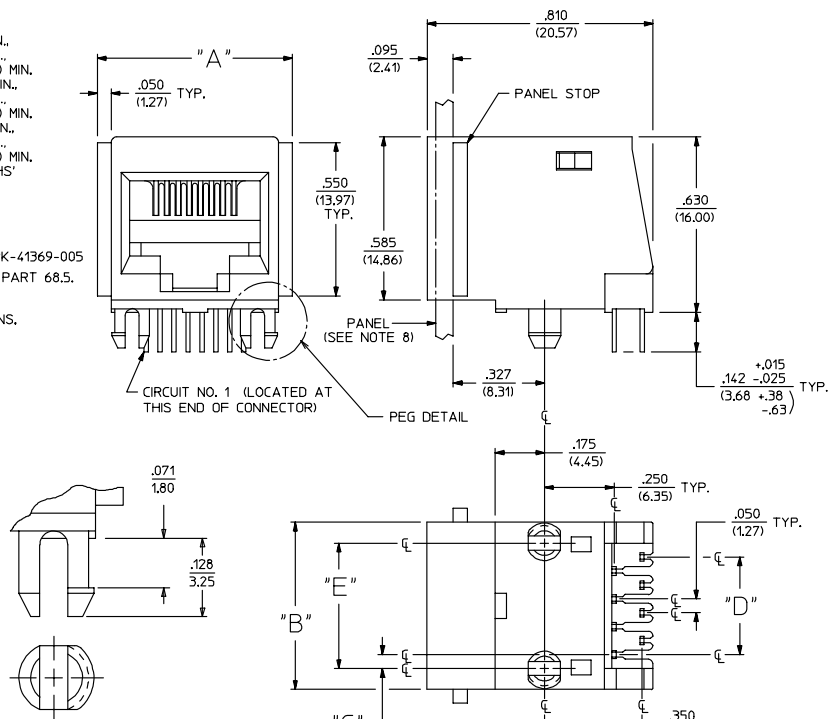


NOTES:

- 1) MATERIALS:  
HOUSING: GLASS FILLED POLYESTER, UL94 V-0, COLOR: BLACK  
TERMINALS: PHOSPHOR BRONZE
- 2) FINISH:  
TERMINALS:  
(A) SELECT GOLD IN CONTACT AREA: 50 MICROINCHES (1.27 MICROMETERS) MIN.  
\*SELECT TIN IN PC TAIL AREA: 100 MICROINCHES (2.54 MICROMETERS) MIN.  
WITH OVERALL NICKEL UNDERPLATE: 50 MICROINCHES (1.27 MICROMETERS) MIN.  
(B) SELECT GOLD IN CONTACT AREA: 30 MICROINCHES (0.76 MICROMETERS) MIN.  
\*SELECT TIN IN PC TAIL AREA: 100 MICROINCHES (2.54 MICROMETERS) MIN.  
WITH OVERALL NICKEL UNDERPLATE: 50 MICROINCHES (1.27 MICROMETERS) MIN.  
(C) SELECT GOLD IN CONTACT AREA: 15 MICROINCHES (0.38 MICROMETERS) MIN.  
\*SELECT TIN IN PC TAIL AREA: 100 MICROINCHES (2.54 MICROMETERS) MIN.  
WITH OVERALL NICKEL UNDERPLATE: 50 MICROINCHES (1.27 MICROMETERS) MIN.  
\*THE PRIMARY SHIPPING CARTON WILL BE LABELED 'COMPLIANT TO RoHS'  
DIRECTIVE 2002/95/EC AND ELV ANNEX II OF DIRECTIVE 2000/53/EC'.  
CARTONS WITHOUT THIS LABEL MAY CONTAIN PRODUCT WITH TIN-LEAD  
IN THE PC TAIL AREA.
- 3) ALL JACKS MUST MEET THE REQUIREMENTS OF MOLEX SPECIFICATION #PS-41314.
- 4) PACKAGING OPTIONS: THERMOFORMED TRAYS PER PK-41369-004 OR TUBES PER PK-41369-005
- 5) JACKS CONFORM TO AND ACCEPT PLUGS WHICH CONFORM TO FCC REGULATIONS, PART 68.5.
- 6) JACKS ARE TO BE USED WITH .062(1.57) THICK PRINTED CIRCUIT BOARDS.
- 7) SEE SHEET 3 FOR RECOMMENDED PANEL CUT-OUT AND BOARD LAYOUT DIMENSIONS.
- 8) PANEL TO BE LOCATED AGAINST MODULAR JACK FLANGE AS INDICATED.
- 9) ALL UNTOLERANCED DIMENSIONS ARE SHOWN FOR REFERENCE ONLY.



PEG DETAIL  
SCALE: 8:1

SIZE 8 MODULAR JACK HOUSING LOADED WITH 8 TERMINALS IS SHOWN ABOVE

REMOVE FILM/ANMO PACK EC NO. UFP2006-2453 DRAWN: PRODDER 2006/06/14 CHKD: L.SCHMIDT 2006/06/27 APPR: F.SMITH 2006/06/29	QUALITY SYMBOLS	GENERAL TOLERANCES (UNLESS SPECIFIED)	SCALE 4:1	DESIGN UNITS INCH	THIRD ANGLE PROJECTION	REVISE ON CAD ONLY
	-0 -0	4 PLACES ± --- ± ---	DIMENSION STYLE IN/MM	TITLE RIGHT ANGLE FLUSH MOUNT MODULAR JACK ASSEMBLY		
		3 PLACES ± --- ± ---	DRAWN BY DATE	MATERIAL NO. DOCUMENT NO. SHEET NO.		
		2 PLACES ± --- ± ---	GLT 1990/05/09	SEE SHEET 2   SDA-41369-*****   1 OF 3		
1 PLACE ± --- ± ---	ANGULAR ±1/2°	CHECKED BY DATE	THIS DRAWING CONTAINS INFORMATION THAT IS PROPRIETARY TO MOLEX INCORPORATED AND SHOULD NOT BE USED WITHOUT WRITTEN PERMISSION			
DRAFT WHERE APPLICABLE	MUST REMAIN WITHIN DIMENSIONS	APPROVED BY DATE				
REV		RAS 1990/05/09				

8	2	.700 (17.78)	.600 (15.24)	.200 (5.08)	.050 (1.27)	.450 (11.43)
8	4	.700 (17.78)	.600 (15.24)	.150 (3.81)	.150 (3.81)	.450 (11.43)
8	6	.700 (17.78)	.600 (15.24)	.100 (2.54)	.250 (6.35)	.450 (11.43)
8	8	.700 (17.78)	.600 (15.24)	.050 (1.27)	.350 (8.89)	.450 (11.43)
6	2	.620 (15.75)	.520 (13.21)	.175 (4.45)	.050 (1.27)	.400 (10.16)
6	4	.620 (15.75)	.520 (13.21)	.125 (3.18)	.150 (3.81)	.400 (10.16)
6	6	.620 (15.75)	.520 (13.21)	.075 (1.91)	.250 (6.35)	.400 (10.16)
4	2	.540 (13.72)	.440 (11.18)	.125 (3.18)	.050 (1.27)	.300 (7.62)
4	4	.540 (13.72)	.440 (11.18)	.075 (1.91)	.150 (3.81)	.300 (7.62)
HOUSING SIZE	CIRCUIT SIZE	DIM. *A*	DIM. *B*	DIM. *C*	DIM. *D*	DIM. *E*

3	V
2	V1
1	V1
	SH REV

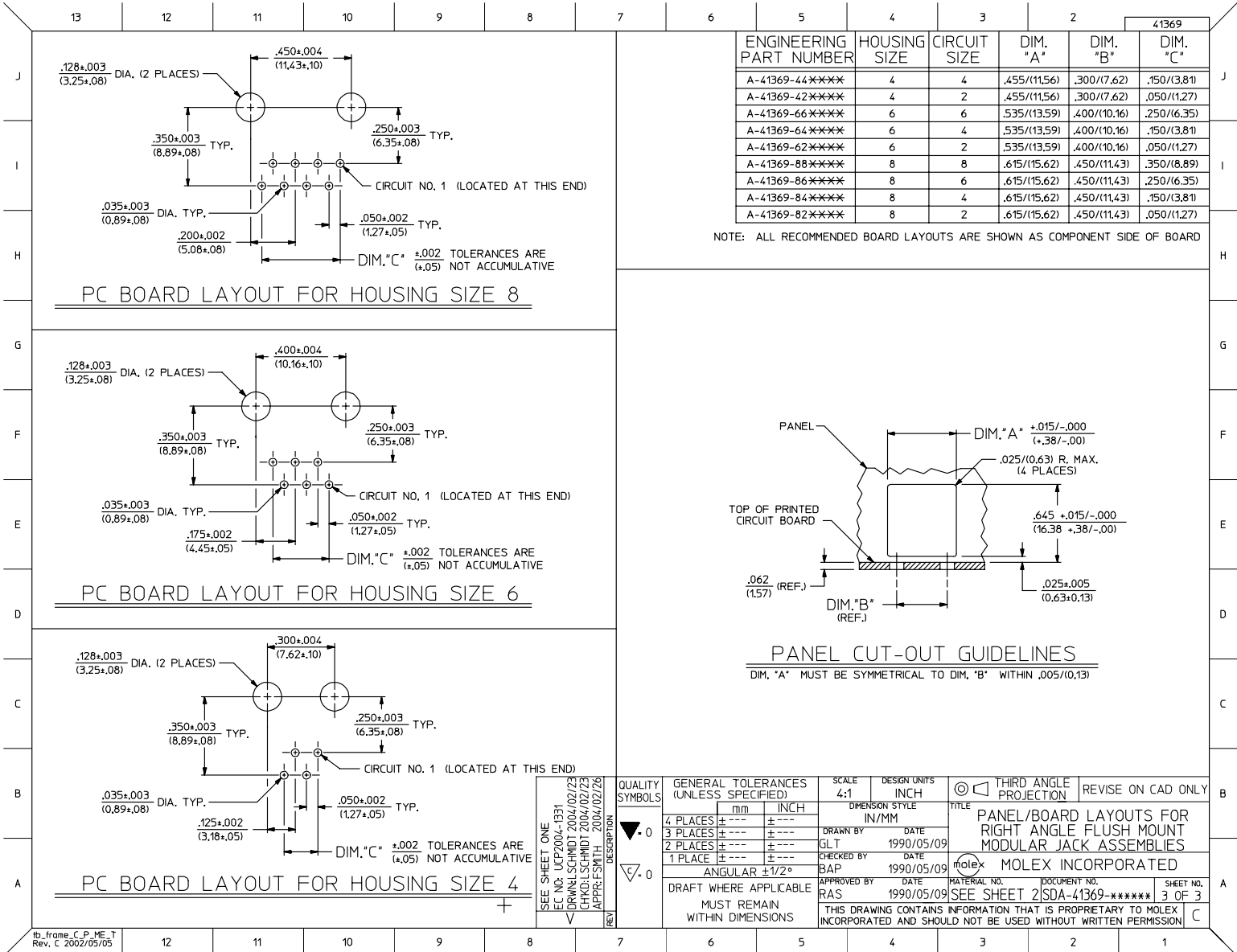
13	12	11	10	9	8	7	6	5	4	3	2	41369
ENGINEERING PART NUMBER	E.D.P. NUMBER	HOUSING SIZE	CIRCUIT SIZE	PLATING OPTION	PACKAGING OPTION							
A-41369-44ABAA	015-43-7544	4	4	(A)	TRAY PACK							
A-41369-44CBAA	015-43-7541	4	4	(C)	TRAY PACK							
A-41369-42ABAA	015-43-7540	4	2	(A)	TRAY PACK							
A-41369-66ABAA	015-43-7566	6	6	(A)	TRAY PACK							
A-41369-66BBAA	015-43-7567	6	6	(B)	TRAY PACK							
A-41369-64ABAA	015-43-7564	6	4	(A)	TRAY PACK							
A-41369-64BBAA	015-43-7565	6	4	(B)	TRAY PACK							
A-41369-62ABAA	015-43-7563	6	2	(A)	TRAY PACK							
A-41369-88ABAA	015-43-7588	8	8	(A)	TRAY PACK							
A-41369-86ABAA	015-43-7586	8	6	(A)	TRAY PACK							
A-41369-84ABAA	015-43-7584	8	4	(A)	TRAY PACK							
A-41369-82ABAA	015-43-7580	8	2	(A)	TRAY PACK							
A-41369-44ACAA	015-43-7546	4	4	(A)	TUBES							
A-41369-64ACAA	015-43-7570	6	4	(A)	TUBES							
A-41369-62ACAA	015-43-7571	6	2	(A)	TUBES							

SEE SHEET ONE EC NO. UCP2006-2453 DRAWN: PRODER 2006/06/14 CHECKED: SCHMIDT 2006/06/27 APPR: F SMITH 2006/06/29	QUALITY SYMBOLS	GENERAL TOLERANCES (UNLESS SPECIFIED)	SCALE	DESIGN UNITS	THIRD ANGLE PROJECTION	REVISE ON CAD ONLY																											
	0 0	<table border="1"> <thead> <tr> <th></th> <th>mm</th> <th>INCH</th> </tr> </thead> <tbody> <tr> <td>4 PLACES</td> <td>± .005</td> <td>± .0004</td> </tr> <tr> <td>3 PLACES</td> <td>± .005</td> <td>± .0004</td> </tr> <tr> <td>2 PLACES</td> <td>± .005</td> <td>± .0004</td> </tr> <tr> <td>1 PLACE</td> <td>± .005</td> <td>± .0004</td> </tr> </tbody> </table>		mm	INCH	4 PLACES	± .005	± .0004	3 PLACES	± .005	± .0004	2 PLACES	± .005	± .0004	1 PLACE	± .005	± .0004	<table border="1"> <thead> <tr> <th>mm</th> <th>INCH</th> </tr> </thead> <tbody> <tr> <td>± .005</td> <td>± .0004</td> </tr> </tbody> </table>	mm	INCH	± .005	± .0004	<table border="1"> <thead> <tr> <th>IN/MM</th> <th>DATE</th> </tr> </thead> <tbody> <tr> <td>GLT</td> <td>1990/05/09</td> </tr> </tbody> </table>	IN/MM	DATE	GLT	1990/05/09	<table border="1"> <thead> <tr> <th>DATE</th> </tr> </thead> <tbody> <tr> <td>1990/05/09</td> </tr> </tbody> </table>	DATE	1990/05/09	<table border="1"> <thead> <tr> <th>DATE</th> </tr> </thead> <tbody> <tr> <td>1990/05/09</td> </tr> </tbody> </table>	DATE	1990/05/09
			mm	INCH																													
		4 PLACES	± .005	± .0004																													
3 PLACES	± .005	± .0004																															
2 PLACES	± .005	± .0004																															
1 PLACE	± .005	± .0004																															
mm	INCH																																
± .005	± .0004																																
IN/MM	DATE																																
GLT	1990/05/09																																
DATE																																	
1990/05/09																																	
DATE																																	
1990/05/09																																	
DESCRIPTION	ANGULAR ±1/2°	DRAFT WHERE APPLICABLE	APPROVED BY	DATE	MATERIAL NO.	DOCUMENT NO.																											
REV		MUST REMAIN WITHIN DIMENSIONS	RAS	1990/05/09	SEE CHART	SDA-41369-*****																											

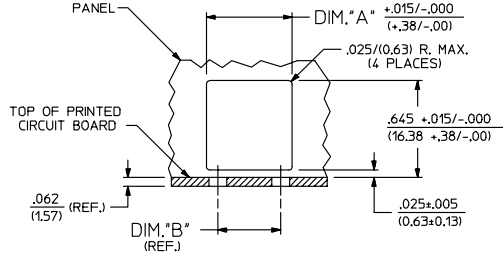
  

ib_frame_C_P_ME_T Rev. C 2002/05/05	12	11	10	9	8	7	6	5	4	3	2	1
--	----	----	----	---	---	---	---	---	---	---	---	---



ENGINEERING PART NUMBER	HOUSING SIZE	CIRCUIT SIZE	DIM. 'A'	DIM. 'B'	DIM. 'C'
A-41369-44XXXX	4	4	.455/(11.56)	.300/(7.62)	.150/(3.81)
A-41369-42XXXX	4	2	.455/(11.56)	.300/(7.62)	.050/(1.27)
A-41369-66XXXX	6	6	.535/(13.59)	.400/(10.16)	.250/(6.35)
A-41369-64XXXX	6	4	.535/(13.59)	.400/(10.16)	.150/(3.81)
A-41369-62XXXX	6	2	.535/(13.59)	.400/(10.16)	.050/(1.27)
A-41369-88XXXX	8	8	.615/(15.62)	.450/(11.43)	.350/(8.89)
A-41369-86XXXX	8	6	.615/(15.62)	.450/(11.43)	.250/(6.35)
A-41369-84XXXX	8	4	.615/(15.62)	.450/(11.43)	.150/(3.81)
A-41369-82XXXX	8	2	.615/(15.62)	.450/(11.43)	.050/(1.27)

NOTE: ALL RECOMMENDED BOARD LAYOUTS ARE SHOWN AS COMPONENT SIDE OF BOARD



PANEL CUT-OUT GUIDELINES  
DIM. 'A' MUST BE SYMMETRICAL TO DIM. 'B' WITHIN .005/(0.13)

SEE SHEET ONE EC NO. UCP2004-1931 DRAWN: SCHMIDT 2004/02/23 CHKD: SCHMIDT 2004/02/23 APPR: F. SMITH 2004/02/26	QUALITY SYMBOLS	GENERAL TOLERANCES (UNLESS SPECIFIED)	SCALE 4:1	DESIGN UNITS INCH	THIRD ANGLE PROJECTION	REVISE ON CAD ONLY																																	
	<table border="1"> <tr> <th></th> <th>mm</th> <th>INCH</th> </tr> <tr> <td>4 PLACES</td> <td>± .---</td> <td>± .---</td> </tr> <tr> <td>3 PLACES</td> <td>± .---</td> <td>± .---</td> </tr> <tr> <td>2 PLACES</td> <td>± .---</td> <td>± .---</td> </tr> <tr> <td>1 PLACE</td> <td>± .---</td> <td>± .---</td> </tr> </table>		mm	INCH	4 PLACES	± .---	± .---	3 PLACES	± .---	± .---	2 PLACES	± .---	± .---	1 PLACE	± .---	± .---	<table border="1"> <tr> <th>IN/MM</th> <th>DATE</th> </tr> <tr> <td>DRAWN BY</td> <td>1990/05/09</td> </tr> <tr> <td>GLT</td> <td>DATE</td> </tr> <tr> <td>CHECKED BY</td> <td>1990/05/09</td> </tr> <tr> <td>BAP</td> <td>DATE</td> </tr> <tr> <td>APPROVED BY</td> <td>1990/05/09</td> </tr> <tr> <td>RAS</td> <td>DATE</td> </tr> </table>	IN/MM	DATE	DRAWN BY	1990/05/09	GLT	DATE	CHECKED BY	1990/05/09	BAP	DATE	APPROVED BY	1990/05/09	RAS	DATE	<table border="1"> <tr> <th>TITLE</th> <th>MATERIAL NO.</th> <th>DOCUMENT NO.</th> <th>SHEET NO.</th> </tr> <tr> <td>PANEL/BOARD LAYOUTS FOR RIGHT ANGLE FLUSH MOUNT MODULAR JACK ASSEMBLIES</td> <td>MOLEX INCORPORATED</td> <td>SEE SHEET 2   SDA-41369-*****</td> <td>3 OF 3</td> </tr> </table>	TITLE	MATERIAL NO.	DOCUMENT NO.	SHEET NO.	PANEL/BOARD LAYOUTS FOR RIGHT ANGLE FLUSH MOUNT MODULAR JACK ASSEMBLIES	MOLEX INCORPORATED	SEE SHEET 2   SDA-41369-*****
	mm	INCH																																					
4 PLACES	± .---	± .---																																					
3 PLACES	± .---	± .---																																					
2 PLACES	± .---	± .---																																					
1 PLACE	± .---	± .---																																					
IN/MM	DATE																																						
DRAWN BY	1990/05/09																																						
GLT	DATE																																						
CHECKED BY	1990/05/09																																						
BAP	DATE																																						
APPROVED BY	1990/05/09																																						
RAS	DATE																																						
TITLE	MATERIAL NO.	DOCUMENT NO.	SHEET NO.																																				
PANEL/BOARD LAYOUTS FOR RIGHT ANGLE FLUSH MOUNT MODULAR JACK ASSEMBLIES	MOLEX INCORPORATED	SEE SHEET 2   SDA-41369-*****	3 OF 3																																				
DESCRIPTION	THIS DRAWING CONTAINS INFORMATION THAT IS PROPRIETARY TO MOLEX INCORPORATED AND SHOULD NOT BE USED WITHOUT WRITTEN PERMISSION																																						

tb\_frame\_C\_P\_ME\_T Rev. C 2002/05/05